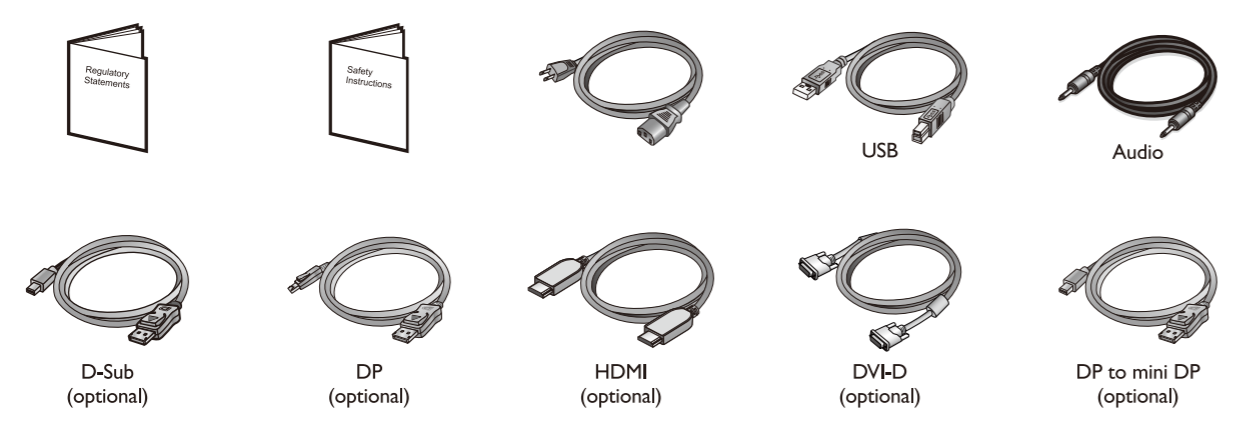
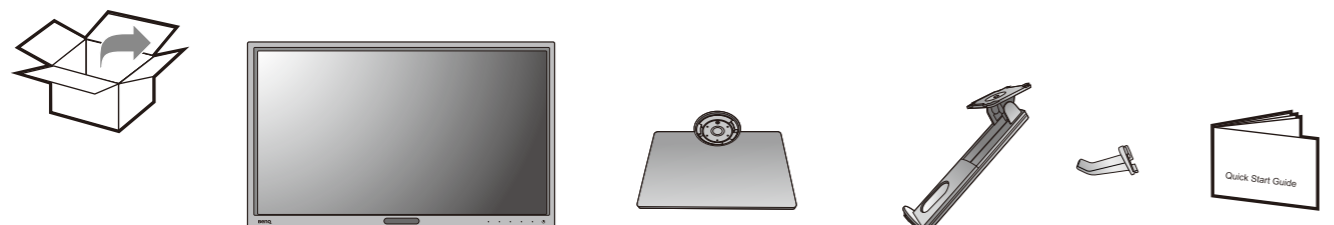
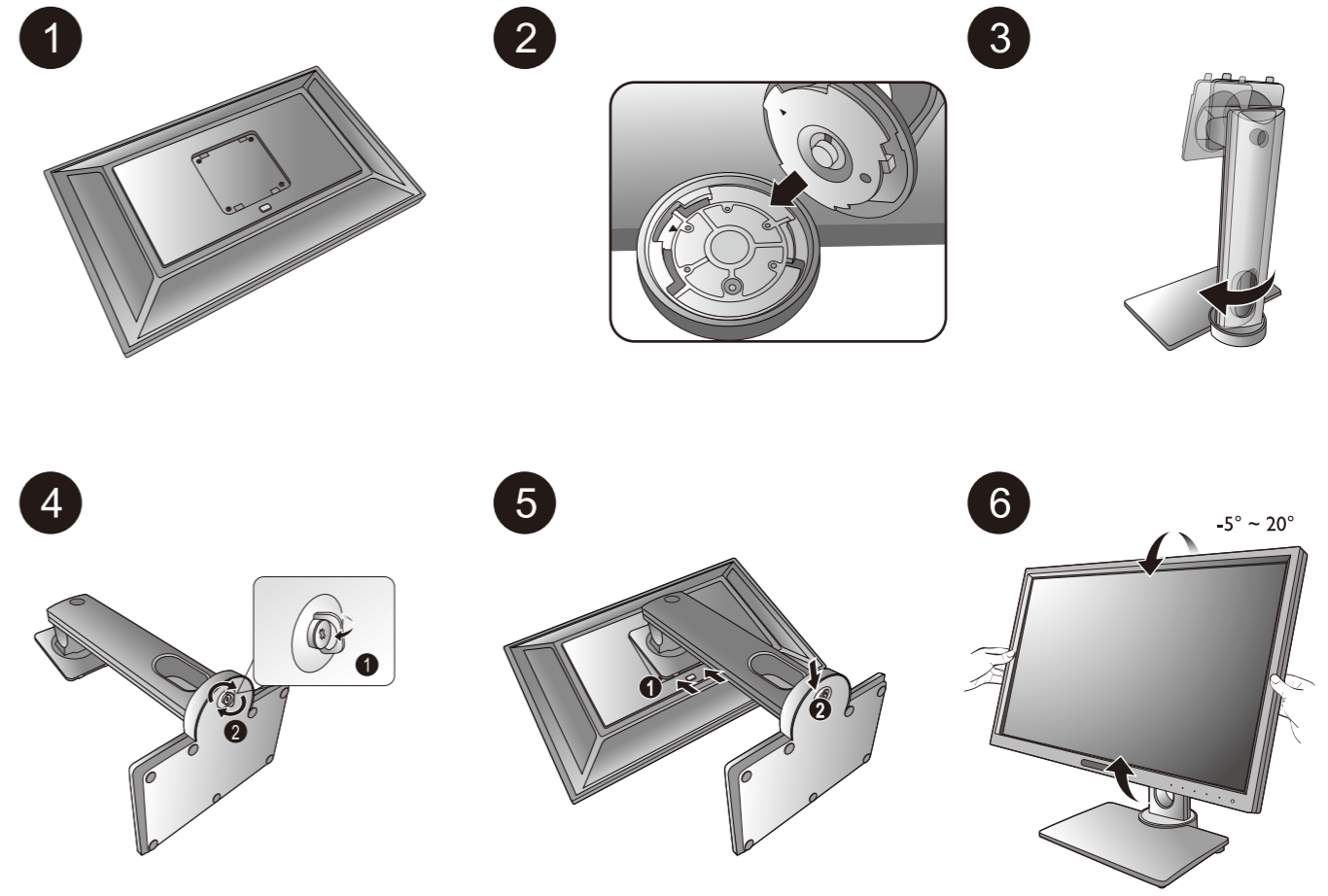




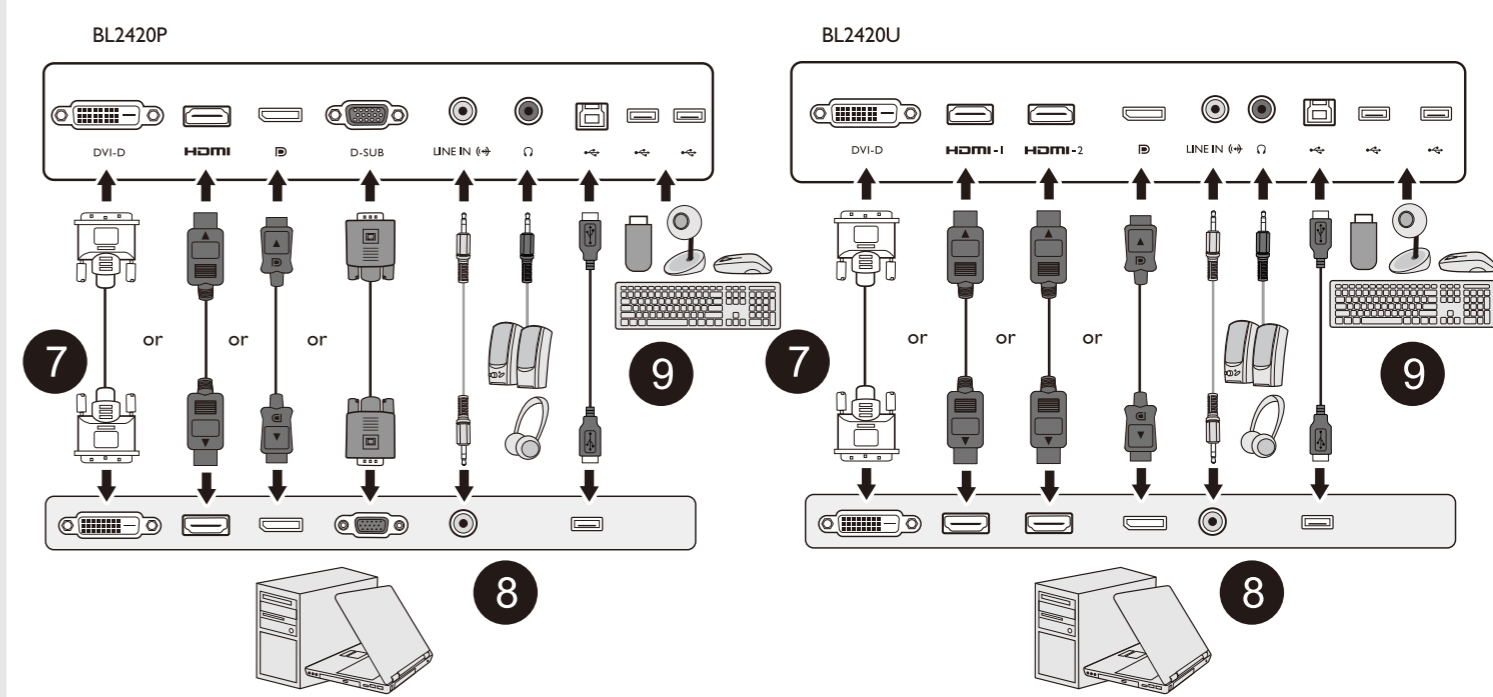
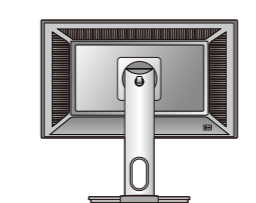
BL Series LCD Monitor Quick Start Guide

DN: BL20-EQ-V0

© 2020 BenQ Corporation. All rights reserved. Rights of modification reserved.



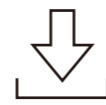
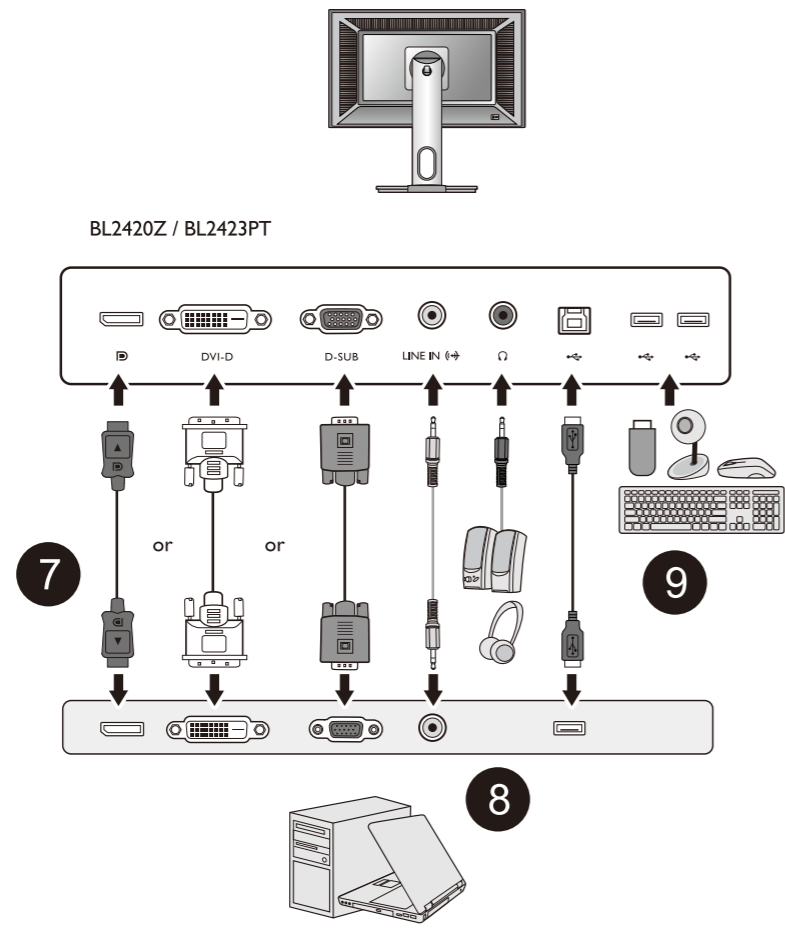
- 7 Video
- 8 Audio
- 9 USB



0-40°C 10-90% 0-3000m
-20-60°C 10-60% 0-12000m

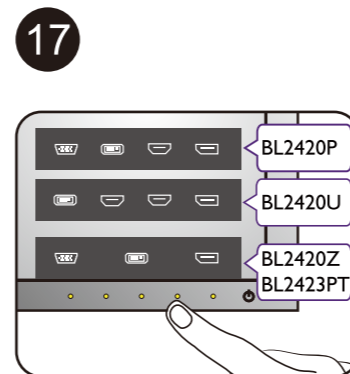
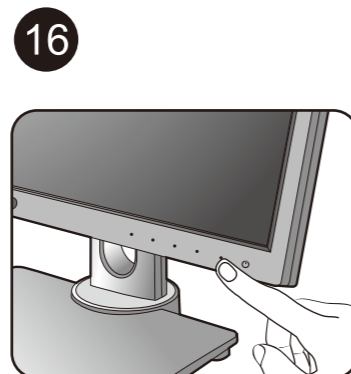
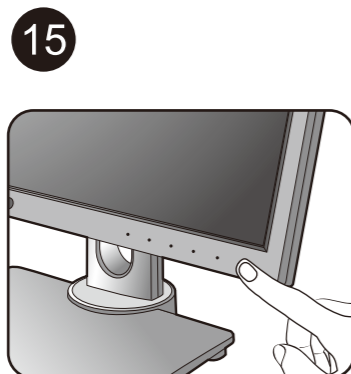
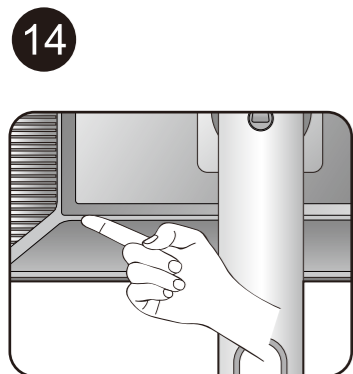
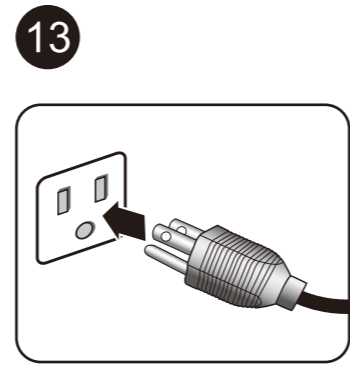
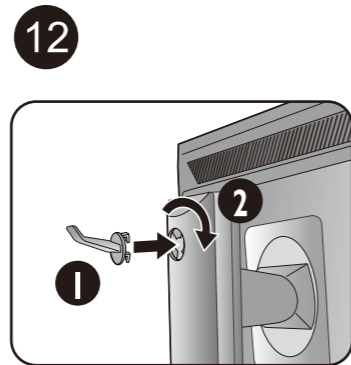
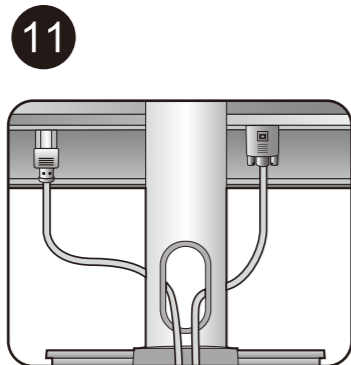
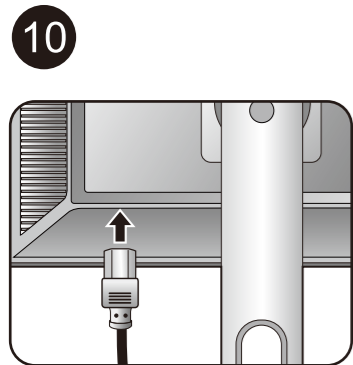
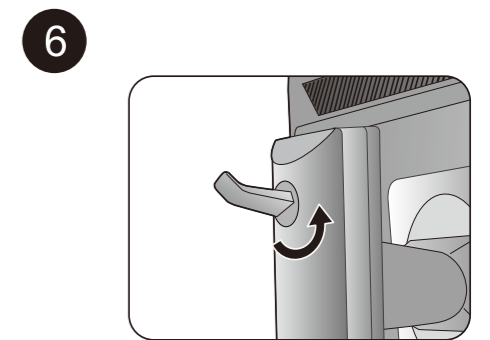
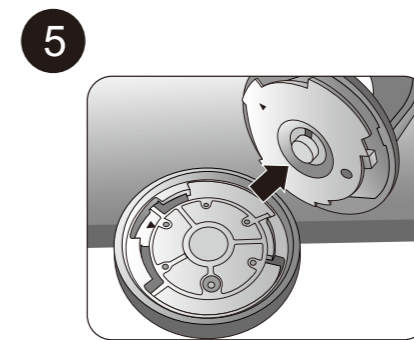
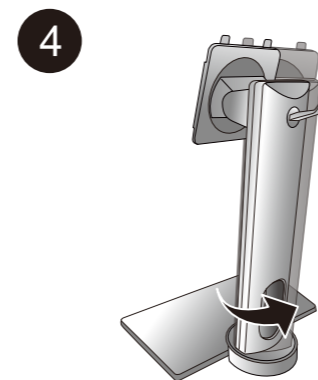
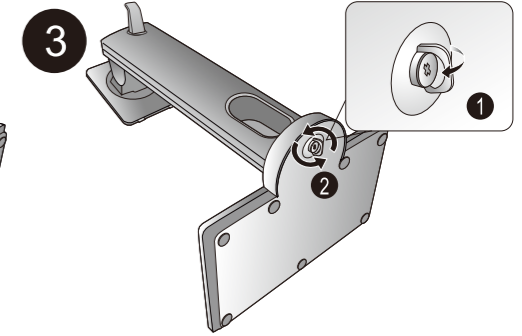
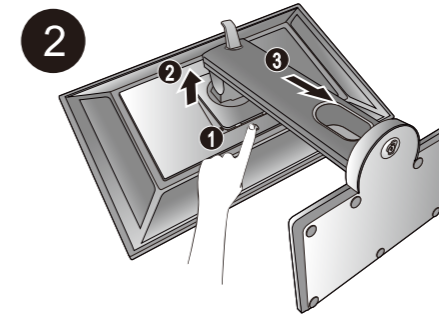
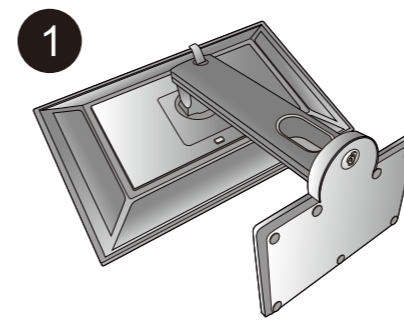
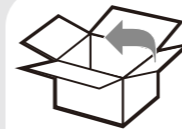
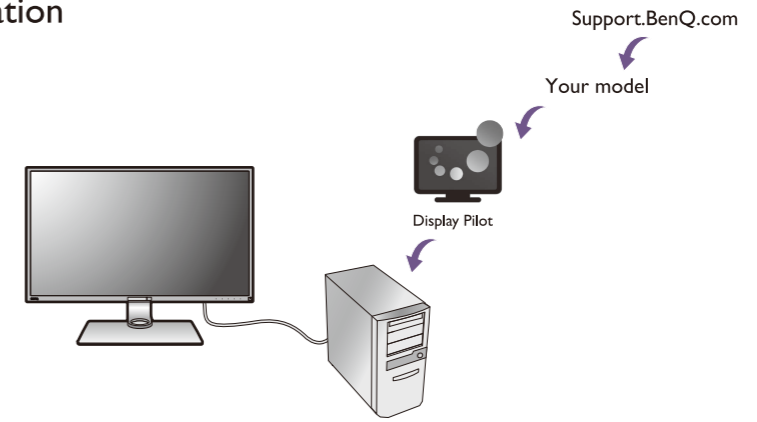


- 7 Video
- 8 Audio
- 9 USB

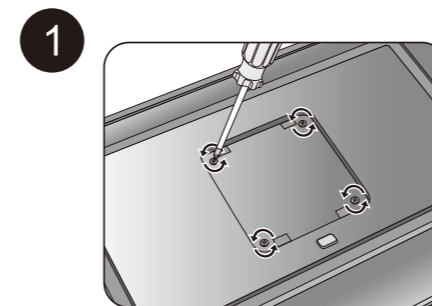
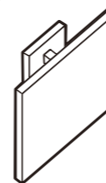


Software installation

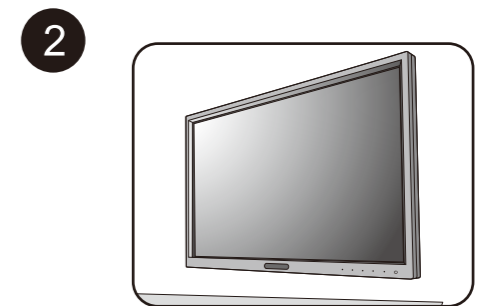
Software: Display Pilot



BL2420P: D-Sub / DVI / HDMI / DP
 BL2420U: DVI / HDMI-1 / HDMI-2 / DP
 BL2420Z / BL2423PT: D-Sub / DVI / DP



M4 x 10 mm



Support.BenQ.com



Online Manual



Product Support



Software Download

CAD / CAM Mode Animation Mode

