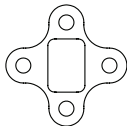


Assembly Instructions

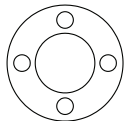


bouncepad™

What's in the Box



Case Washer x1



Through Mounting Washer x1



M4 20mm Buttonhead Screw x4



M4 Wingnut x4



10mm Countersunk Screw 4x



T20 Driver Bit x1

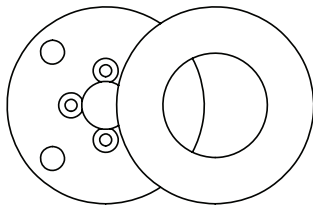


M4 Split Washer x8



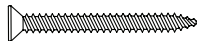
M4 Hex Nut x4

OR



Surface Mounting Plate x1

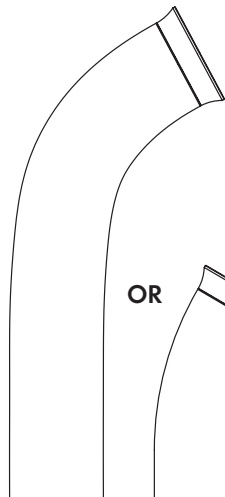
Surface Mounting Plate Cover x1



No.8 38mm Countersunk Screw x4



M4 40mm Socket Setscrew x4

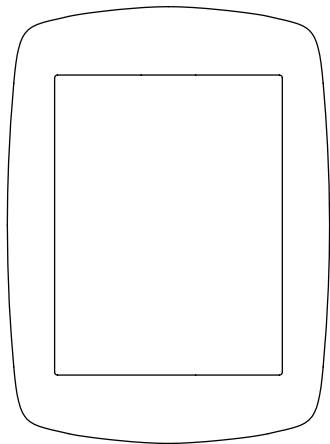


Static 60 / Branch Stalk

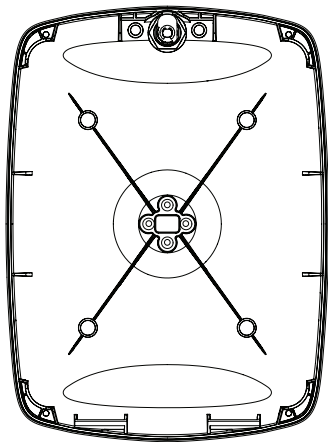


Desk / Wall Stalk

What's in the Box



Faceplate x1



Case x1

Tablet Setup Kit



Keys x2



Tablet Support x4



Corner Pieces x4

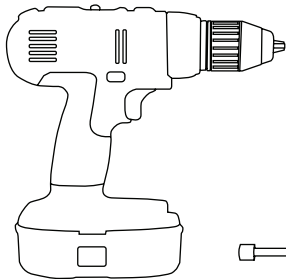


Cable Clip x1



Sticker x1

Tools for the Job



Hand Drill



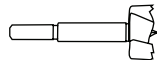
5mm or 13/64" Drill Bit



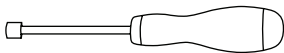
2mm or 5/64" Drill Bit



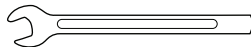
Pencil



16mm or 41/64" Drill Bit



Socket Screwdriver



7mm Spanner or 9/32" Wrench

Recommended Installation Height

Wallmount

Branch

Avoid Glare



Don't install directly
beneath a light source

120cm / 47"

90cm / 35"

Desk

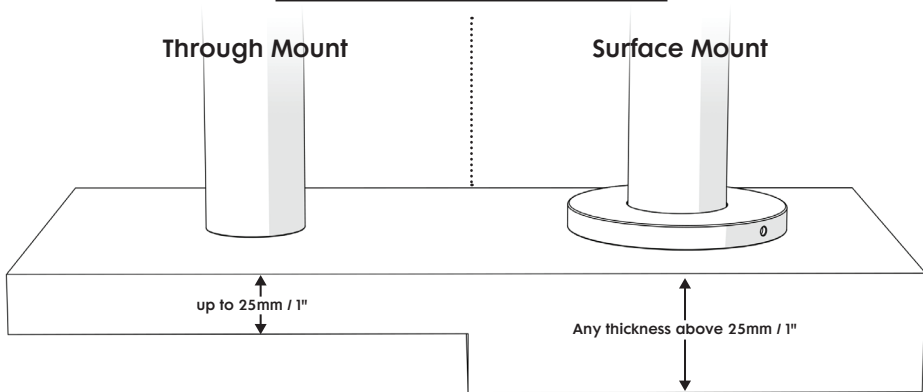
90cm / 35"

Static 60

100cm / 39"

5.

Choose Mounting Options



Through Mount

Surface Mount

up to 25mm / 1"

Any thickness above 25mm / 1"

- Seamless appearance
- Requires access beneath/behind mounting surface

- Option to route cable along surface when there is no access beneath/behind mounting surface

Continue to p.7

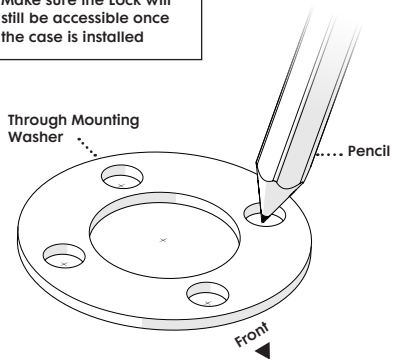
Continue to p.10

Through Mount

Step 1 of 4

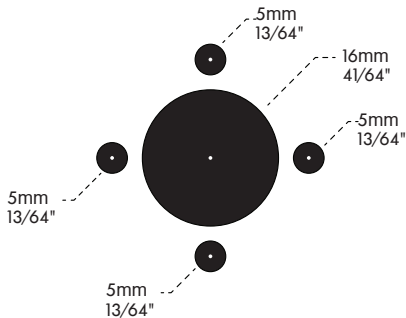
Mark the Drill Holes

IMPORTANT:
Make sure the Lock will still be accessible once the case is installed



Step 2 of 4

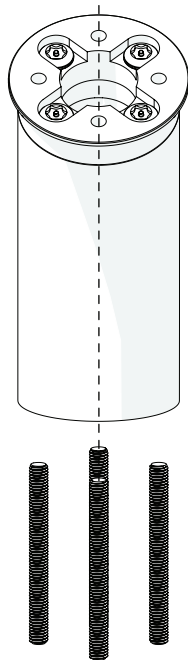
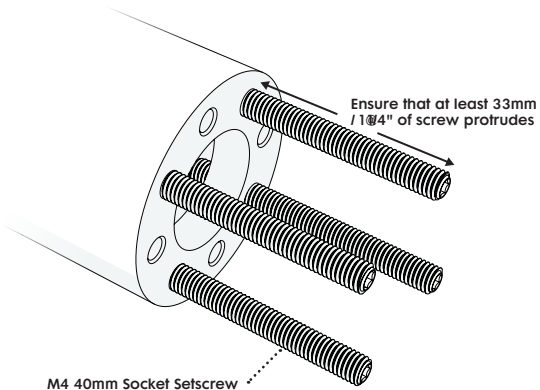
Drill the Holes



Scale 1:1

Through Mount

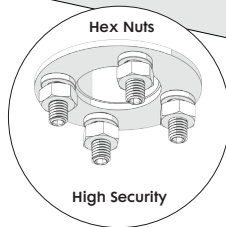
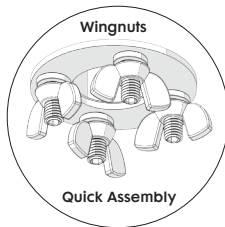
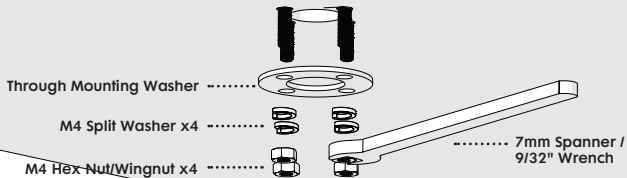
Step 3 of 4
Screw in socket setscrews by hand



Through Mount

Step 4 of 4

Fasten from behind/beneath surface

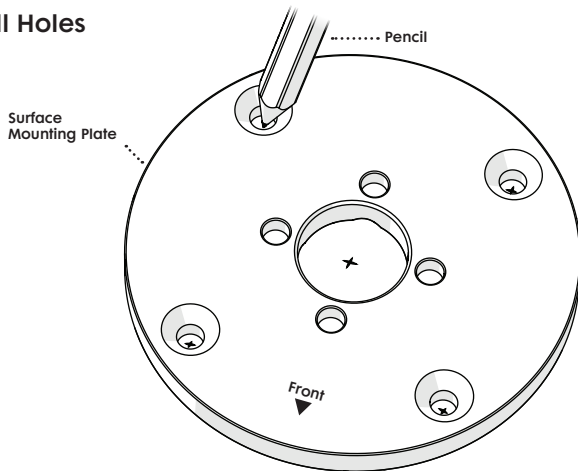


Now Skip to p.14

Surface Mount

Step 1 of 4

Mark the Drill Holes

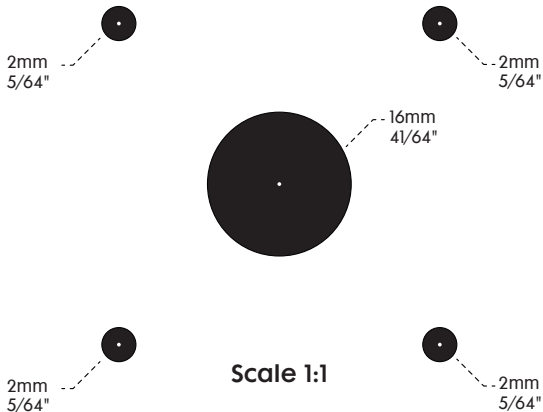


Surface Mount

Step 2 of 4

Drill the Holes

This diagram can be used as a drill template



NOTE:

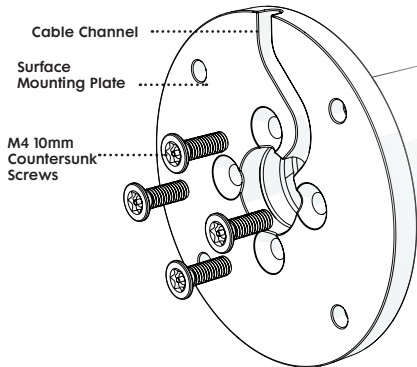
The 16mm / 41/64" hole is not required if attaching to surface with no access beneath as the power cable can be routed along the surface

Surface Mount

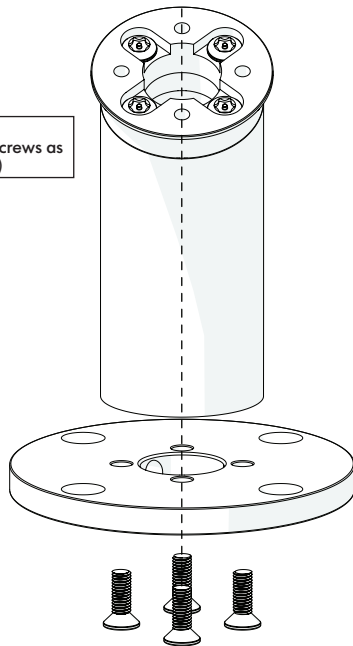
Step 3 of 4

Attach mount plate

1. Screw Mount plate onto Stalk
2. OPTIONAL Route power cable down the Stalk and through cable channel (only applicable if you choose to route cable along surface)



IMPORTANT:
Line up the screws as shown (right)



Surface Mount

Step 4 of 4

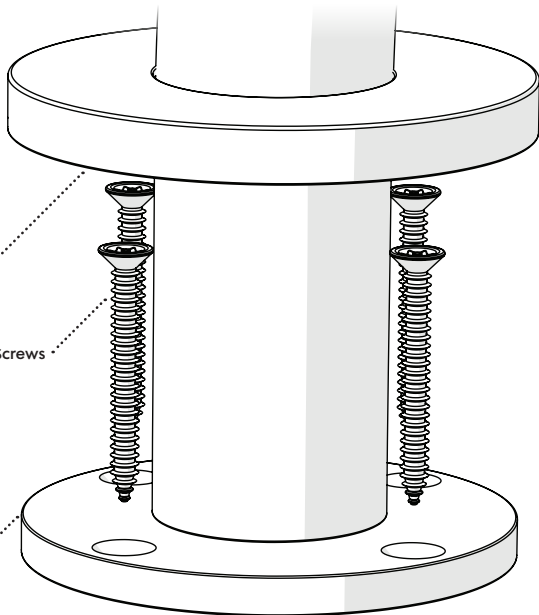
Attach to Surface

1. Screw Mounting Plate to surface
2. Remove yellow backing from Sticky Tabs
3. Slide Mounting Plate Cover over Stalk
4. Push down firmly on Mounting Plate Cover

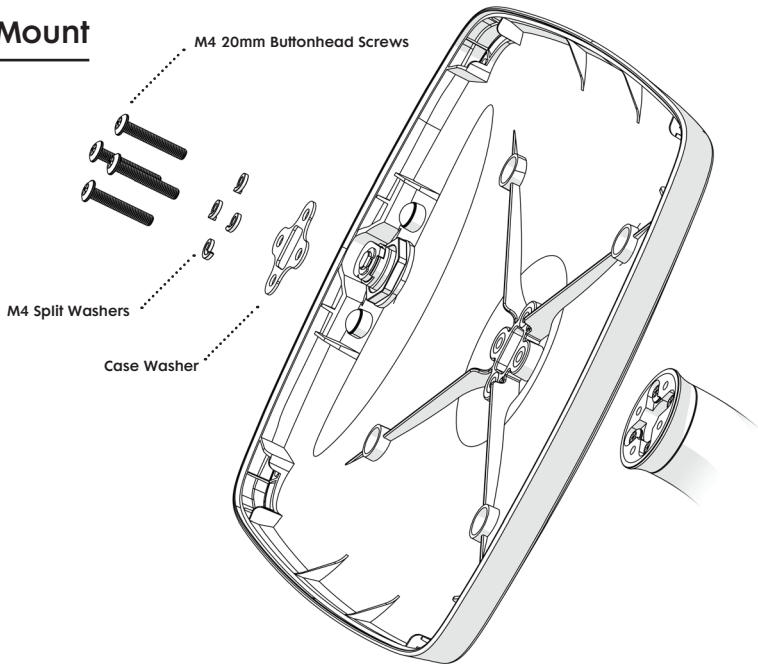
Surface Mounting Plate Cover

No.8 38mm Countersunk Screws

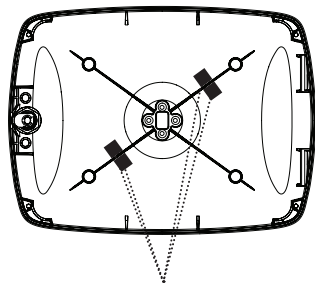
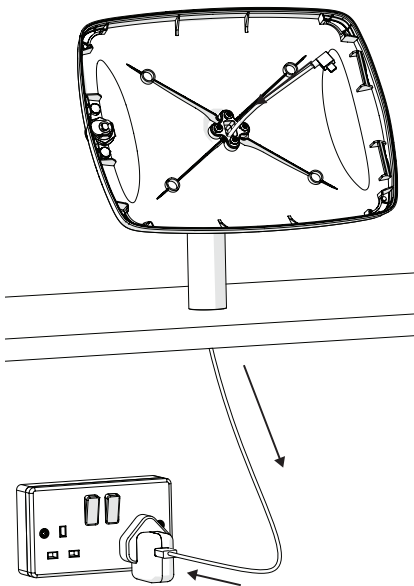
Surface Mounting Plate



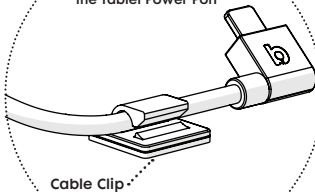
Surface Mount



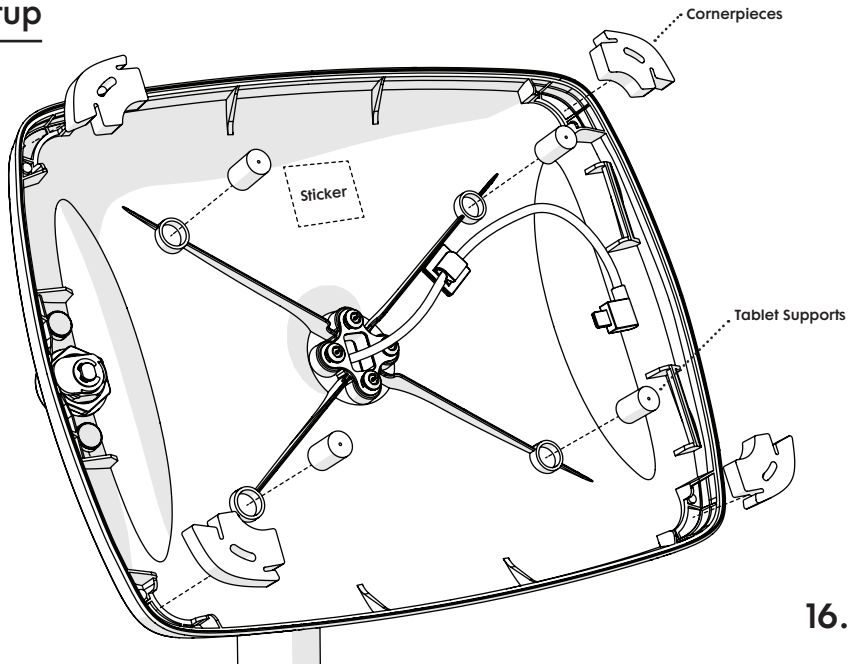
Route Cable



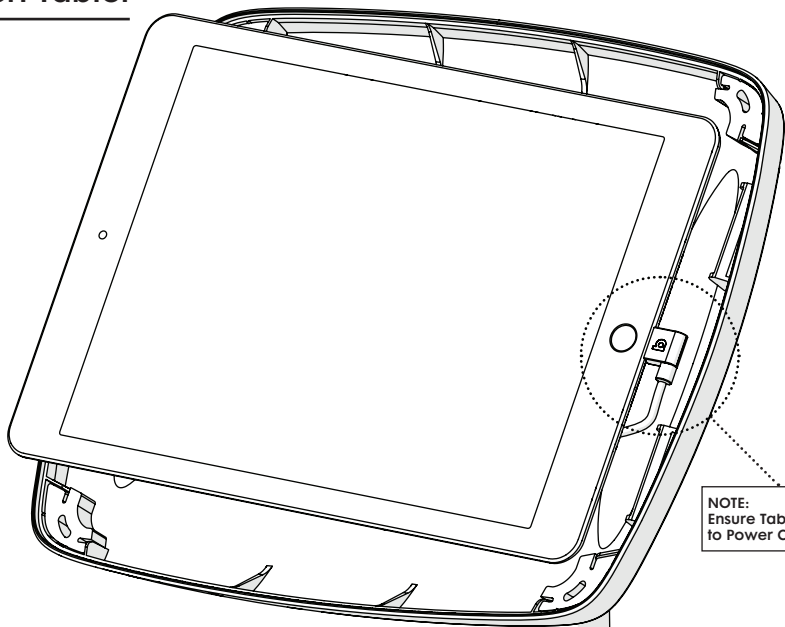
Use the adhesive cable clip to secure cable in the nearest quadrant to the Tablet Power Port



Case Setup

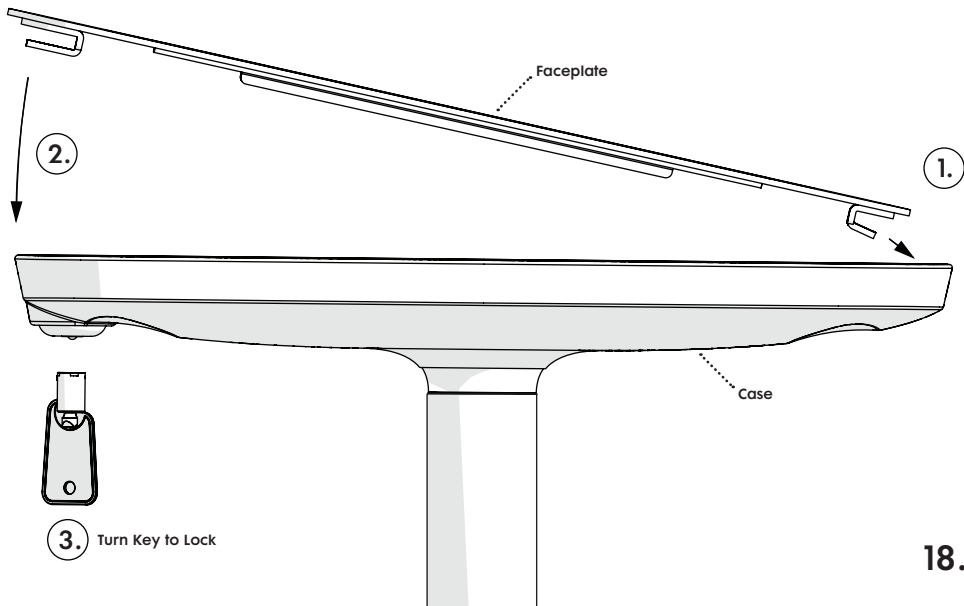


Insert Tablet



NOTE:
Ensure Tablet is connected
to Power Cable

Lock Up



Your Bouncepad is now installed

For further information and support please contact us:

UK & International

+44 (0) 020 3693 0000
hello@bouncepad.com
www.bouncepad.com

Deutschland

+49 (0) 30 6098 5170
hallo@bouncepad.com
www.bouncepad.com/de

USA & Canada

1-617-804-0110
hi@bouncepad.com
www.bouncepad.com/us

Contact Details

UK & International

+44 (0) 020 3693 0000
hello@bouncepad.com
www.bouncepad.com

Deutschland

+49 (0) 30 6098 5170
hallo@bouncepad.com
www.bouncepad.com/de

USA & Canada

1-617-804-0110
hi@bouncepad.com
www.bouncepad.com/us

