

# koncīs™

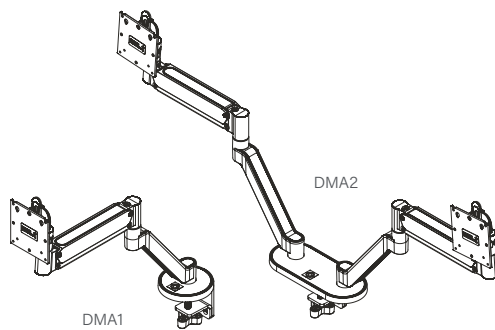
## DMA1 Single Monitor Arm DMA2 Dual Monitor Arm

### Quick Setup Guide

For complete installation instructions, refer to the Installation Manual included with this product.

*This Quick Setup Guide is meant to provide only an overview of the various installation steps.*

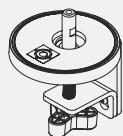
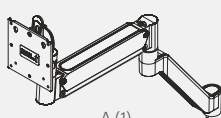
*ALWAYS read the Installation Instructions in its entirety before beginning the Installation.*



### Tools Required for Installation



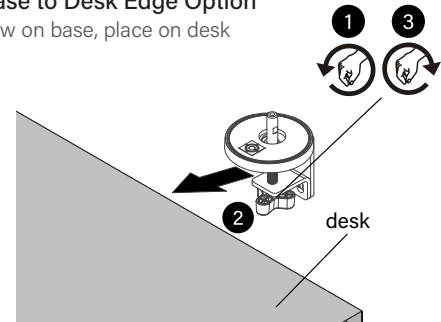
### Parts



### Option A

#### Step 1: Clamp Base to Desk Edge Option

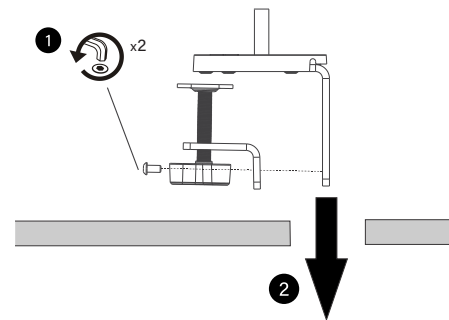
Loosen clamp screw on base, place on desk and tighten.



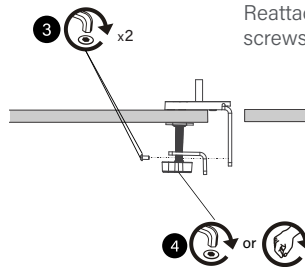
### Option B

#### Step 1: Clamp Base through Grommet Hole Option

Remove lower piece of clamp from assembly by removing two button head cap screws and install remaining part of clamp through grommet hole.



Reattach removed piece of clamp and screws and tighten clamp screw.



### WEIGHT CAPACITY WARNING

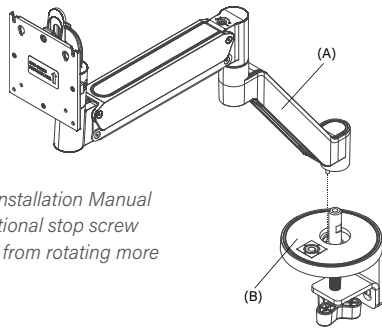
Exceeding the weight capacity can result in serious personal injury or damage to equipment! It is the installer's responsibility to make sure the combined weight of all components and accessories attached to the DMA Series Monitor Arm up to (and including) the display is between the weight ranges listed below. Use with products heavier than the maximum weight indicated may result in collapse of the mount and its accessories causing possible injury. Use with products lighter than the minimum weight indicated may result in the mount not functioning properly.

### DISCLAIMER

Legrand | AV and its affiliated corporations and subsidiaries (collectively "Legrand | AV"), intend to make this manual accurate and complete. However, Legrand | AV makes no claim that the information contained herein covers all details, conditions or variations, nor does it provide for every possible contingency in connection with the installation or use of this product. The information contained in this document is subject to change without notice or obligation of any kind. Legrand | AV makes no representation of warranty, expressed or implied, regarding the information contained herein. Legrand | AV assumes no responsibility for accuracy, completeness or sufficiency of the information contained in this document.

## Step 2: Add Arms to Base

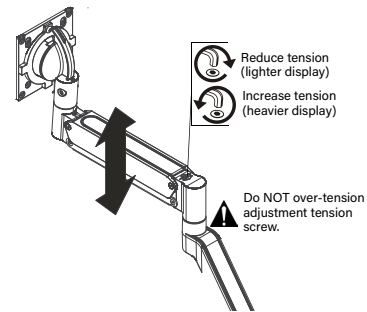
Place mounting arms (A) onto base assembly pin (B) – no additional fasteners or tightening needed.



*Note: See full Installation Manual for setting rotational stop screw to prevent arm from rotating more than 90°.*

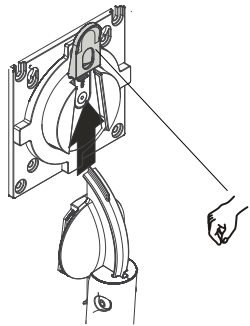
## Step 4: Arm Tension Adjustment

Adjust arm tension with tension adjustment screw located at base of dynamic arm, using 5/32" hex key (F).



## Step 3: Display Installation

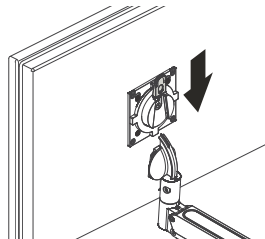
Remove quick release faceplate from mount by pulling lever and sliding faceplate off mount. Connect faceplate to display using Phillips screwdriver and hardware from hardware bag (C or D).



*Note: See full Installation Manual for allowable display weight ranges and additional mounting details.*

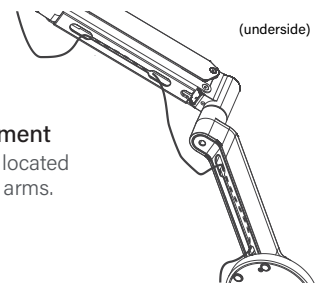
quick release lever

Position display with faceplate attached above mount, and slide faceplate onto mounting head until quick release tab clicks into place.



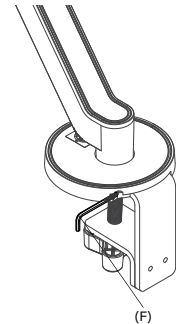
## Step 5: Cable Management

Tuck cables into channels located on underside of mounting arms.



## Step 6: Tool Storage

The adjustment key can be conveniently stored with the Koncis Series mount if desired. Slide 5/32" hex key (F) into channel located at the back of the base assembly.



INSTALLER INSPIRED | legrandav.com

USA/International A  
6436 City West Parkway  
Eden Prairie, MN 55344  
P 800.582.6480 / 952.225.6000  
F 877.894.6918 / 952.894.6918

Europe A  
Franklinstraat 14  
6003 DK Weert, Netherlands  
P +31 (0) 495 580 852  
F +31 (0) 495 580 845

Asia Pacific A Office No. 918 on 9/F  
Shatin Galleria  
18-24 Shan Mei Street  
Fotan, Shatin, Hong Kong  
P 852 2145 4099  
F 852 2145 4477

A brand of **legrand**

©2020 Legrand AV Inc. 200637 Rev 01 12/20 Chief is a registered trademark of Legrand AV Inc. All other brand names or marks are used for identification purposes and are trademarks of their respective owners. All patents are protected under existing designations. Other patents pending.

COMMERCIAL AV BRANDS

C2G | Chief | Da-Lite | Luxul | Middle Atlantic | Vaddio | Wiremold