

Installing Wall Plate to Metal Stud Walls (Metal Stud Accessory Kit ACC 415 Required)

Models: D-FPF-220, D-FPF-220S, FPMWF-UN,
FPMWF-UN-S, SF 16D, SF 640, SF 640-S,
SF 640P, SF 640P-S

⚠ WARNING

- Drywall must be 1/2" or thicker, and metal stud must be 24 gauge or thicker.
- Make sure that the supporting surface will safely support the combined load of the equipment and all attached hardware and components.

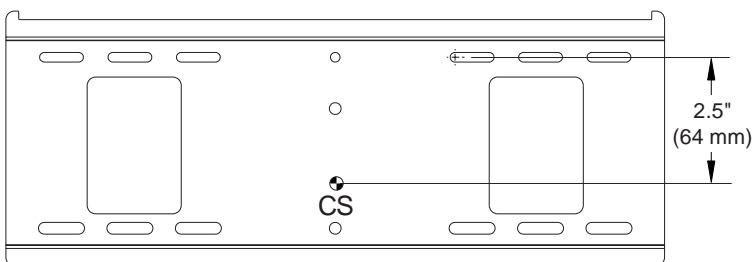
1 Wall plate (**AA**) can be mounted to two studs that are 16" apart. Use a stud finder to locate the edges of the studs. Use of an edge-to-edge stud finder is highly recommended. Based on their edges, draw a vertical line down each stud's center. Place wall plate on wall as a template. The top mounting slots should be 2.5" above the desired screen center as shown in figure 1.1. Level plate, and mark the center of the four mounting holes. Make sure that the mounting holes are on the stud centerlines. Drill four 1/2" holes through drywall and metal studs. **Note:** It may be necessary to drill 5/32" pilot holes prior to drilling 1/2" holes.

Refer to instruction sheet included with Peerless accessory kit ACC 415 for metal studs to install togglers. Loosely fasten mount assembly (**AA**) to wall using four 1/4-20 x 2-1/2" screws as shown in figure 1.2.

Note: For ease of installation, start with the top right screw first and work counterclockwise.

Level, hold, and then tighten all screws.

Skip to step 2 on page 7 of main instruction sheet.



CS = center of screen

fig. 1.1

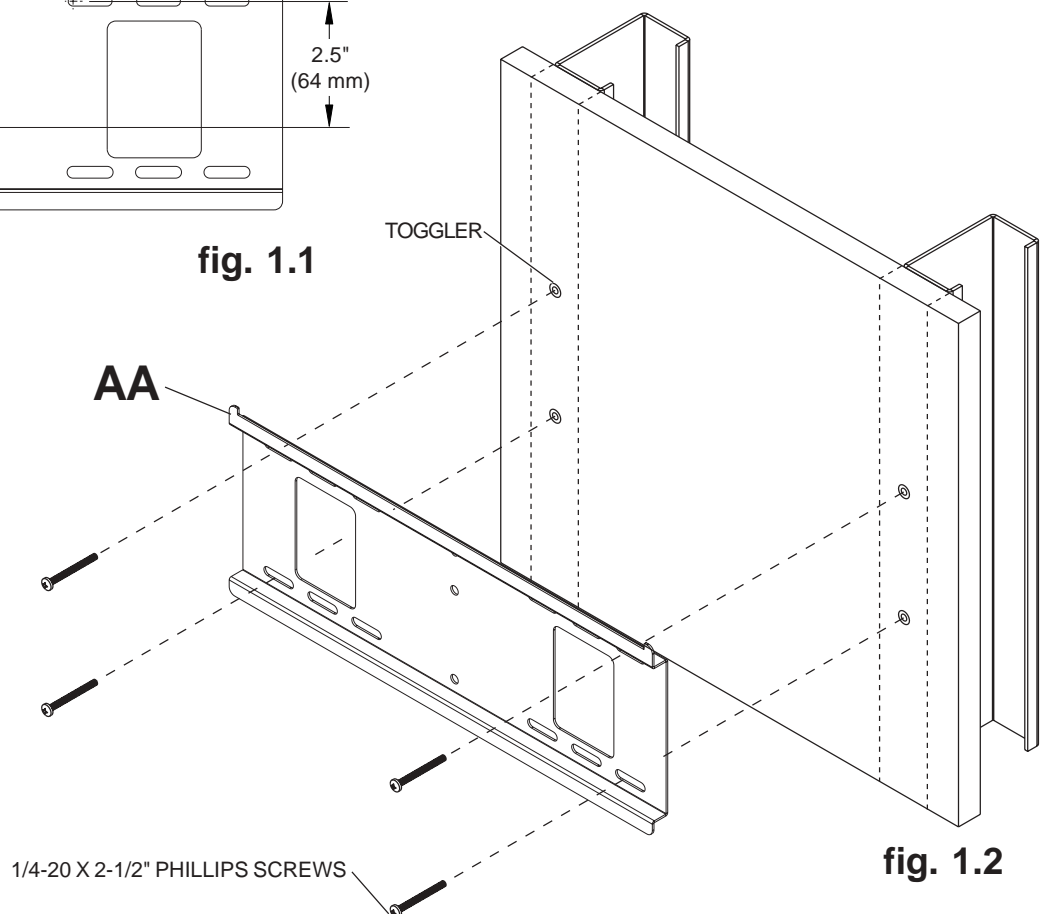


fig. 1.2