



Exclusively Available  
 from  
**midwich**  
 midwld.com

# XRTROLLEYXL

## FLAT SCREEN FLOOR STAND/TROLLEY

FOR SCREENS UP TO 86"

**MOBILE OR  
 FREESTANDING**



Designed large and extra large screens, the XRTROLLEYXL supports weights up to 100kg. 3" braked castors and adjustable height feet are both included for either fixed or mobile solutions. The universal interface accommodates mounting patterns up to 800 x 600mm and comes with adjustment screws which allow the screen to be levelled once mounted.

### SPECIFICATION

Recommended screen size	50" up to 86"
Max load	100kg
VESA compatibility	200 x 100mm up to 800 x 600
Dimensions	H: 2172 x W: 1160 x D: 792mm
Colour	Black / Silver

### FEATURES

- Adjustable height feet and 3" braked castors are included
- Levelling screws allow adjustment of screen height
- Padlock tabs on arms for additional security (padlock not included)
- Integrated cable management
- Security locking screws help prevent unauthorised removal of screens
- AV accessory shelf XRTROLLEYSH1 available separately for items up to 475 x 427mm.



Levelling feet and 3" braked castors are included



Security locking screws help prevent unauthorised removal of screens

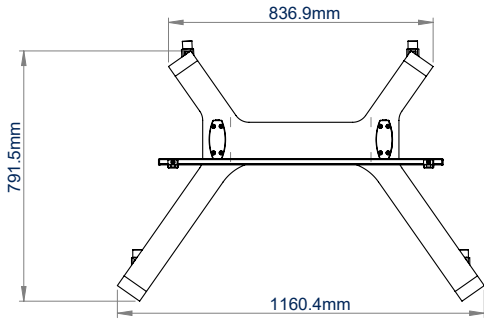


Padlock tabs on arms for additional security (padlock not included)

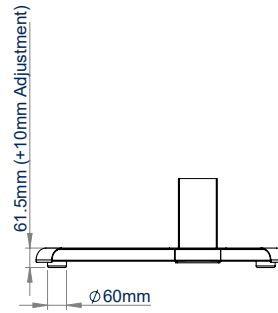


AV accessory shelf XRTROLLEYSH1 available separately for items up to 475 x 427mm.

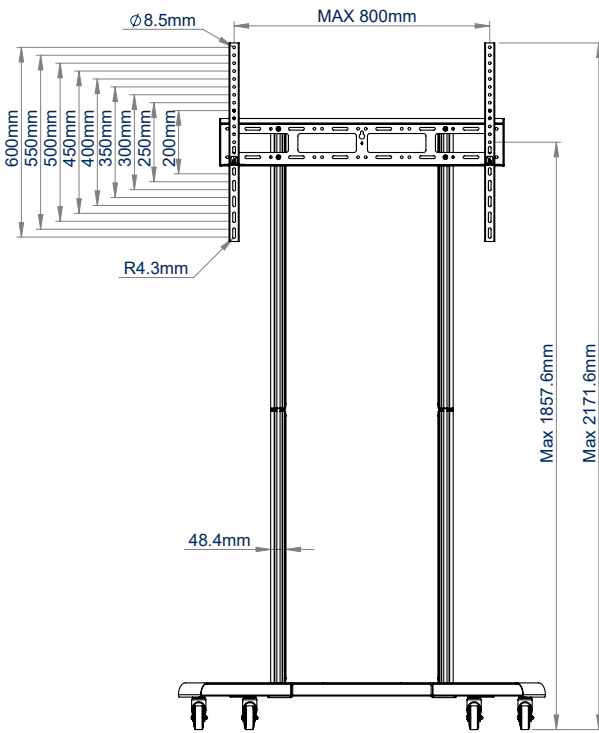




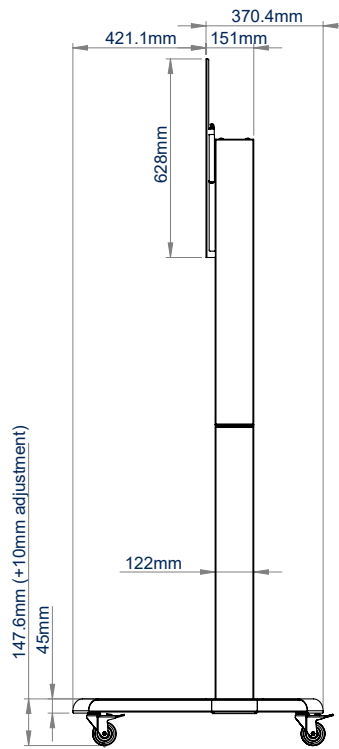
TOP VIEW



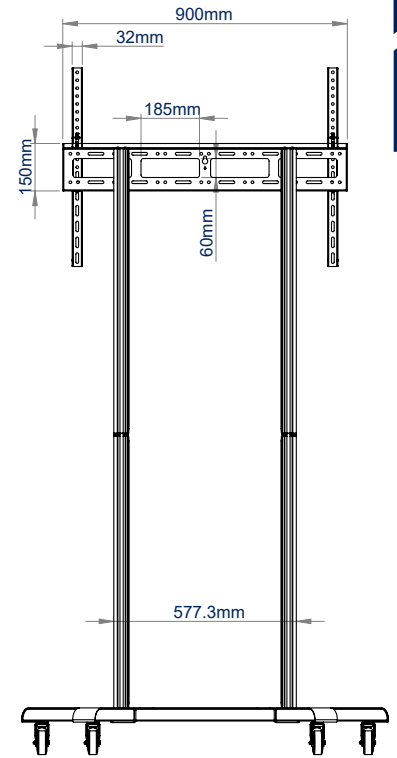
BASE ASSEMBLY WITH FEET



FRONT VIEW



SIDE VIEW



REAR VIEW

PACKING INFORMATION

COLOUR:	ORDER REF:	EAN CODE:	MASTER CARTON QTY:	MASTER CARTON WEIGHT:	MASTER CARTON CUBE:
Black	XRTROLLEYXL/BS	5019318305696	1	29.5kg	0.115cbm

RELATED PRODUCTS



**Accessory Shelf**  
Designed for use with XRTROLLEYXL and suitable for camera with a 1/4" thread and 100 x 100 fixing points



**Extra Large Fixed Wall Mount**  
For 43" up to 86" screens from VESA 200 x 100 up to 800 x 600



**Flat Screen Floor Stand / Trolley**  
For 32" up to 55" screens with VESA fixings up to 600 x 400



**VC Camera Shelf**  
Designed for use with XRTROLLEY and suitable for accessories up to 250 x 238mm and up to 5kg

© 2015 B-Tech Professional Design & Manufacturing Ltd. All rights reserved.  
The information in this specification sheet reflects the current technical specifications at the time of print.  
We reserve the right to change the technical or physical specifications without prior notice. This B-Tech Professional Design & Manufacturing Ltd.  
B-Tech Professional Design & Manufacturing Ltd. is not liable for loss or damage caused by improper installation or mounting on unsuitable structures. Any reproduction or retransmission or republication of any part of this specification is expressly prohibited, unless prior written permission has been granted by B-Tech Professional Design & Manufacturing Ltd. (B-Tech).

SS-V1-XRTROLLEYXL-130122-EN