

# Samyang AF 14mm F2.8 FE Instruction Manual

Thank you for purchasing this Samyang Optics product.

The Samyang AF 14mm F2.8 FE lens is a high performance single vision lens designed exclusively for the E-mount of SONY  $\alpha$  interchangeable lens cameras. (This lens cannot be used with an A-mount camera.)  
※ FE refers to the full frame E-mount.

## Advantages

- The lens is designed exclusively for mirror-less cameras, where the distance between the DSLR contrast lens and the image sensor is close, and affords the user excellent performance and results.
- This lens allows the user to shoot optimal quality picture and video in response with the 35mm Full Frame image sensor.
- This large-caliber lens gathers as much light as possible and provides the best image quality among equivalent models.
- It minimizes various aberrations, and creates a clear image by using three high precision aspherical lenses.
- The fast and accurate AF (autofocus) function ensures excellent optical performance.
- Its size, comfortable for holding and shooting, provides a firm grip feeling, enhancing the stability for shooting.
- Its simple but refined design as well as metallic material ensures a luxurious look and excellent durability.
- This product is designed in the form of an inner focus lens, meaning the lens does not come out or rotate according to the focal distance. Therefore, it is free from dust.

## Before using

- Please read this instruction manual and familiarize yourself with the functions of the lens, the operating method, and cautions for handling the product correctly prior to use. Also, refer to the instruction manual of the camera you are using with the lens.
- The supported functions of this product may vary according to the camera model.
- For detailed information regarding compatibility, visit the certified service center or make inquiries on the message board of our homepage. ([http:// www.samyang.com/support](http://www.samyang.com/support) )

## Cautions for using the lens

In order to maintain the user's safety and prevent damage to the product, fully familiarize yourself with the following items in order to use the product correctly.

- It is dangerous to look at the sun through the lens directly. It may seriously impair your vision.
- Be careful not to apply an impact when attaching the lens. The lens is a precision optical product, so dropping or applying an excessive impact to the lens may cause product failure.
- In order to use the lens safely, attach or detach the lens while the camera is turned off.
- Be careful not to touch or contaminate the contact point of the mount. If an electronic signal is not transmitted between the camera and the lens smoothly, a malfunction may occur.
- Do not wet the lens or touch the lens with a wet hand when using the lens near water. Doing so may result in fire or electric shock.
- It is recommended to use a strong tripod. If a weak tripod is used, the tripod may fall down, damaging the camera and the lens.

The following precautions are divided into two types according to the level of danger.

### ⚠ WARNING

If this instruction is not followed, it may cause death or severe injury to the user.

### ⚠ CAUTION

If this instruction is not followed, it may cause damage or injury to the user.

The following pictograms are used in the below precautions:



Requires caution. Inside the pictogram it shows contents of precautions. (The pictogram on the left shows the caution for ignition.)



Shows prohibition. Inside the pictogram it shows contents of prohibition. (The pictogram on the left shows the prohibition of disassembly.)



Shows instruction. Inside the pictogram it shows contents of instructions. (It shows instruction of precaution in the pictogram on the left.)

## ⚠ WARNING

- ⊘ Don't look at the sun through the lens. It may cause blindness.



- ⊘ Keep the lens out of children's reach. It may drop or fall down, causing injury.



## ⚠ CAUTION

- ⓘ Attach the lens to the camera correctly and make sure that the lens is attached firmly. If the lens is not attached correctly, it may not be pulled out or it may fall down, causing injury.



- ⊘ Do not apply excessive weight on the lens attached to the camera. It may cause damage to the lens and camera mounts. Be sure to hold the lens when operating and moving.



- ⓘ Ensure that the camera operates properly by checking the lens beforehand or by test shooting for important events such as a wedding ceremony and an overseas trip.



- ⊘ Do not modify or alter the lens. It may lead to failure of the camera. Modified or altered lenses may not be repaired.



- ⊘ Don't leave the lens in direct sunlight. It may cause a fire, depending on lenses that concentrate light on a close object.



- ⊘ Don't look at the sun directly through a camera with a lens attached. It may cause damage to one's eyesight.



## Storing the lens

- Do not store the lens without the lens cap in a location with direct sunlight, such as inside a vehicle. Direct sunlight passing through the lens may be concentrated, causing a fire.
- If the lens is placed in a hot location, damage or distortion may occur, and a problem in its performance may result.
- Store the lens in a dry and well-ventilated location. Avoid direct sunlight and do not store the lens with naphthalene or moth balls.
- Avoid using the lens in a location with drastic temperature changes. In particular, if you move a lens that has been chilled in a cold location to a warm location, moisture in the air may be concentrated outside or inside the lens, causing a failure or mold production. In such a case, keep the lens in a plastic bag or an exclusive camera bag and take it out when the temperature of the lens becomes similar to the peripheral temperature.
- Keep the lens out of the reach of children. Failure to do so may cause an accident or personal injury.

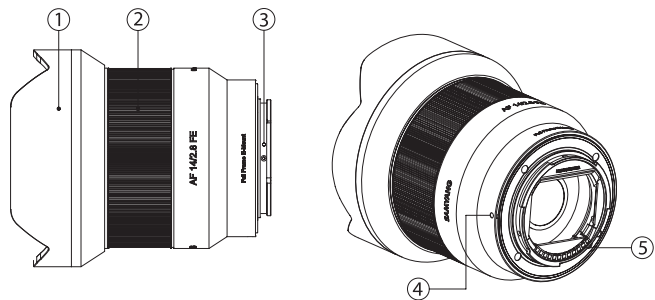
## Cleaning the lens

- If the lens surface gets dirty, dust it off using a lens blower or a brush and wipe it with a soft and clean cloth (cleaning tissue, cotton cloth, etc.).
- When dusting or cleaning the lens, do not use an organic solvent such as thinner, alcohol, or benzene.
- When cleaning the lens, put a small amount of ethanol or lens cleaner on a soft and clean cloth or a cleaning paper and wipe the lens by circling outwards from its center.

## Components

- Lens
- Lens cap (front)
- Lens cap (rear)
- Hood
- Portable pouch
- Instruction manual
- Warranty

## Name of each part



- ① Fixed hood
- ③ Mount
- ⑤ Lens signal contact

- ② Focus ring
- ④ Lens mount index

## Attaching and detaching the lens

- Attaching the lens
  - Remove the front cap and the rear cap of the lens.
  - Align the mount index (white dot) indicated on the lens to the lens mount index (white dot) indicated on the camera mount, and rotate the lens clockwise until a clicking sound occurs.
- Detaching the lens
  - With the camera lens detaching button pressed, detach the lens by rotating it counterclockwise until the lens stops.

## Focus mode setting

- There are five focus methods for SONY  $\alpha$  interchangeable-lens cameras. (※ This may vary according to the camera model.)
  - AF-S (Single shooting AF): The focus is adjusted automatically in the camera.
  - AF-A (Automatic AF): The camera switches to single shooting AF or continuous AF mode automatically according to the movement of a subject.
  - AF-C (Continuous AF): The focus is adjusted continuously in the camera.
  - DMF (Direct manual focus): Manual fine adjustment is available after automatic focusing.
  - MF (Manual focus): The focus is adjusted manually.
- For detailed content regarding the focus mode setting, refer to the instruction manual of the camera.

## Product specifications

Model name	AF 14mm F2.8 FE	
Aperture range	F2.8 ~ 22	
Angle of View	Full Frame	113.9 °
	APS-C	89.8 °
Optical construction	14 elements in 10 groups (including 3 aspherical lenses)	
Minimum focusing distance	0.20m (0.66ft)	
Maximum shooting magnification	x 0.12	
Filter size		
Number of aperture blades	7	
Maximum diameter X length	φ86.0 x 97.5mm	
Weight	500g	

- The minimum focus is the distance from the image sensor to the object.
- The product specifications and exterior are subject to change without notice.

## Registration of electromagnetic compatibility

Class B equipment: Korean Class B ITE  
This equipment has been registered with electromagnetic compatibility for household purposes and it can be used in residential areas as well as all other areas.

# MEMO