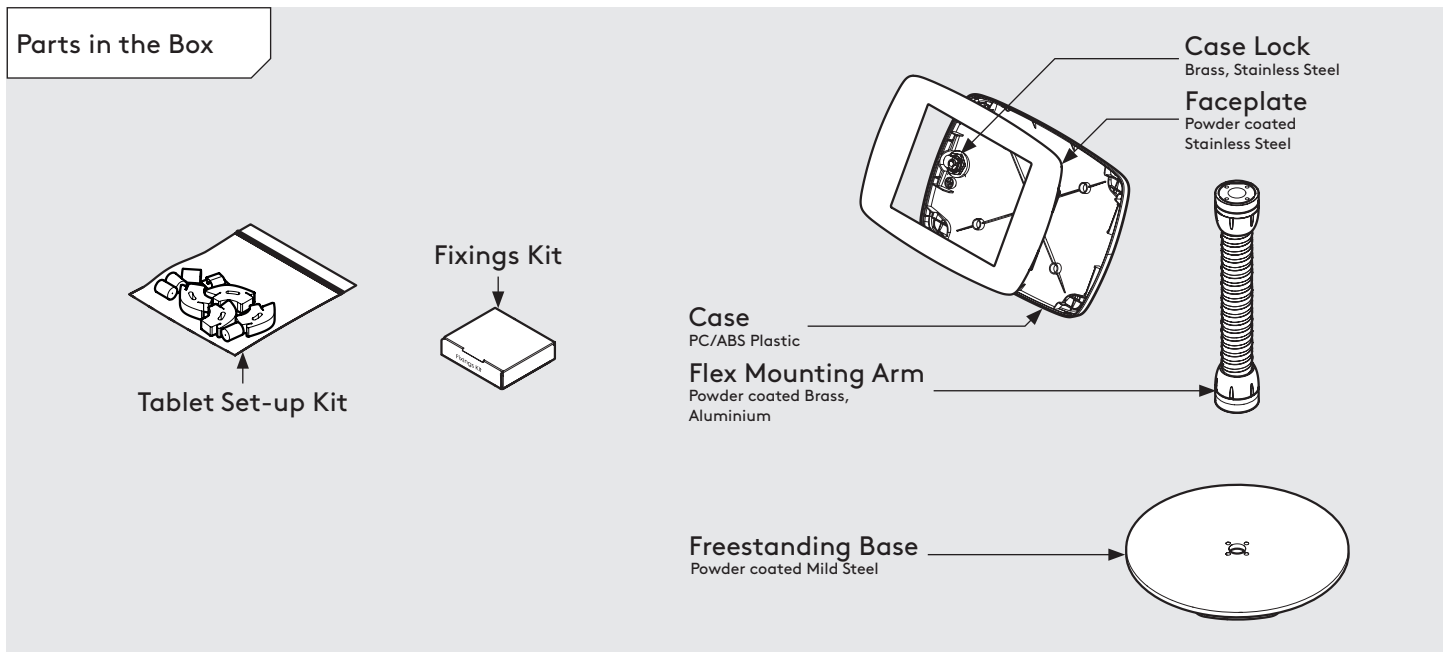
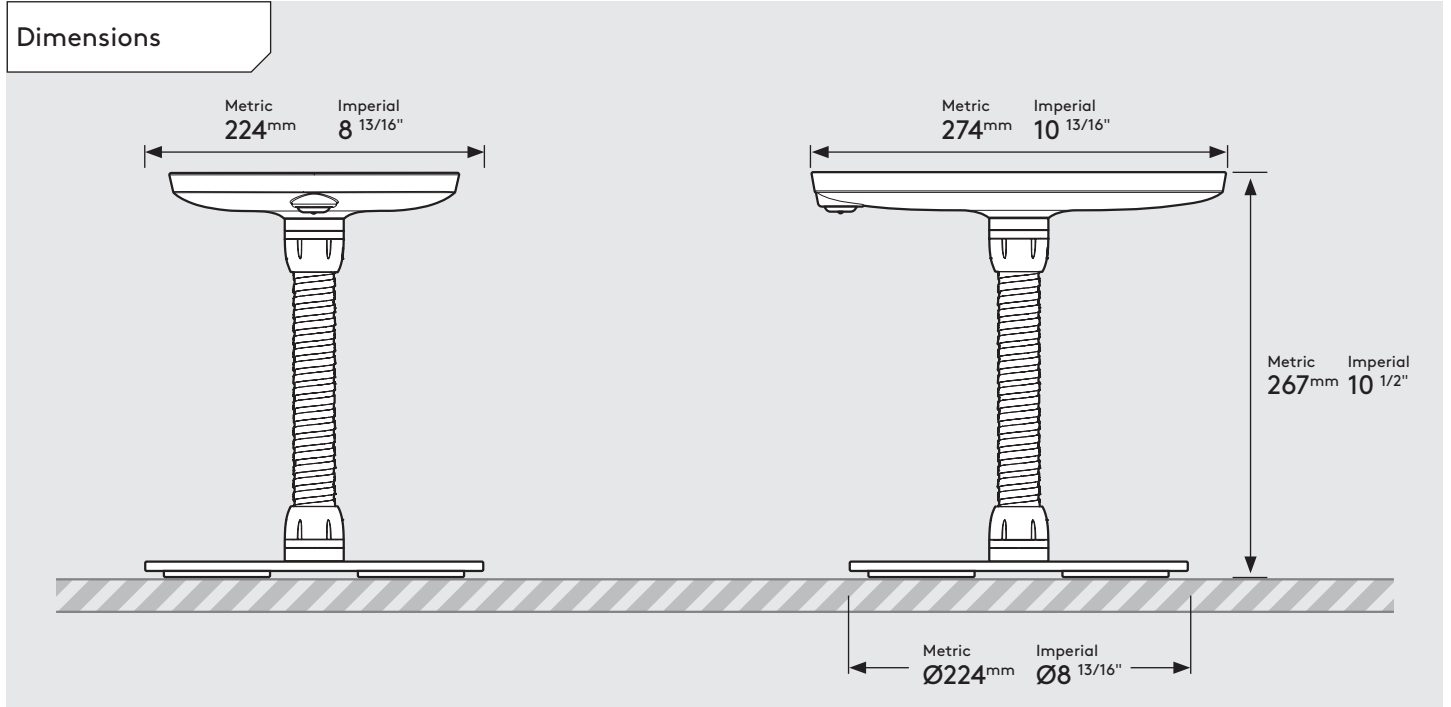


PRODUCT DATA SHEET - COUNTER FLEX (MINI CASE)

bouncepad[®]

Case: Mini **Arm:** Flex **Mounting:** Freestanding Base **Packaged weight:** 4.1kg **Colour:** White
Black

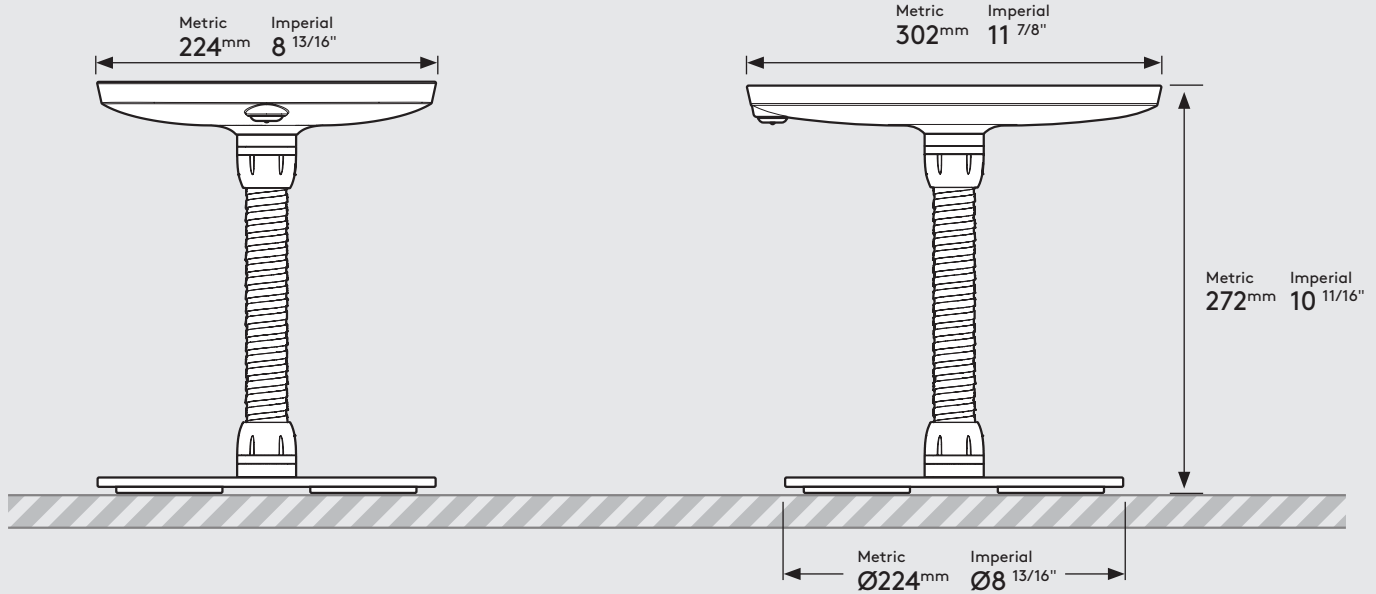


PRODUCT DATA SHEET - COUNTER FLEX (MIDI CASE)

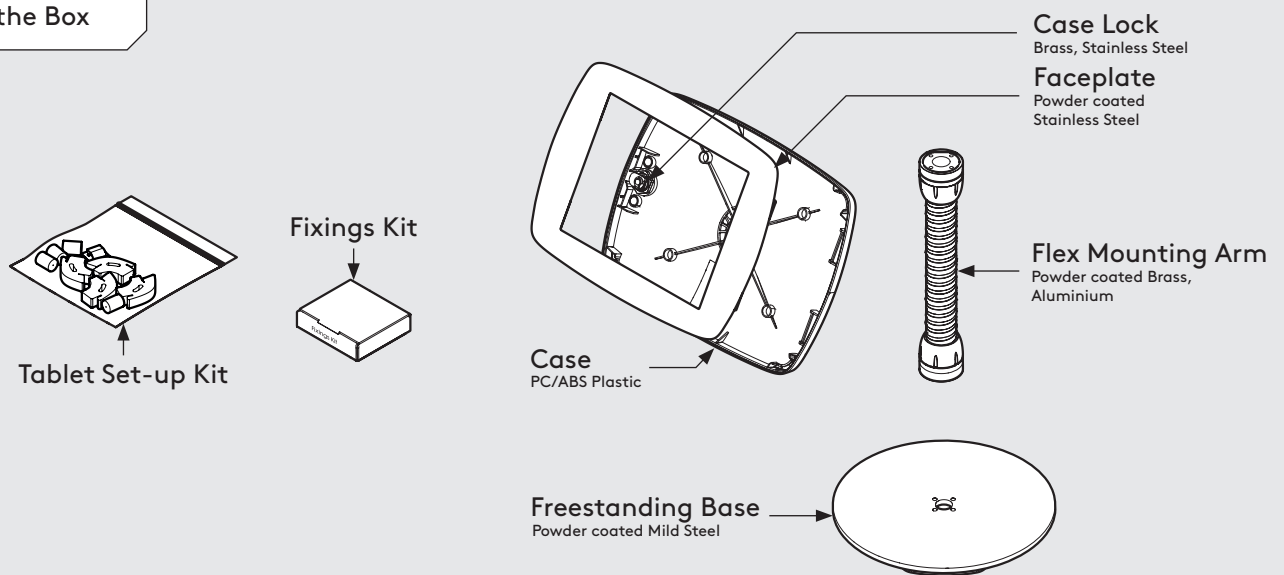
bouncepad[®]

Case: Midi **Arm:** Flex **Mounting:** Freestanding Base **Packaged weight:** 4.3kg **Colour:** White
Black

Dimensions



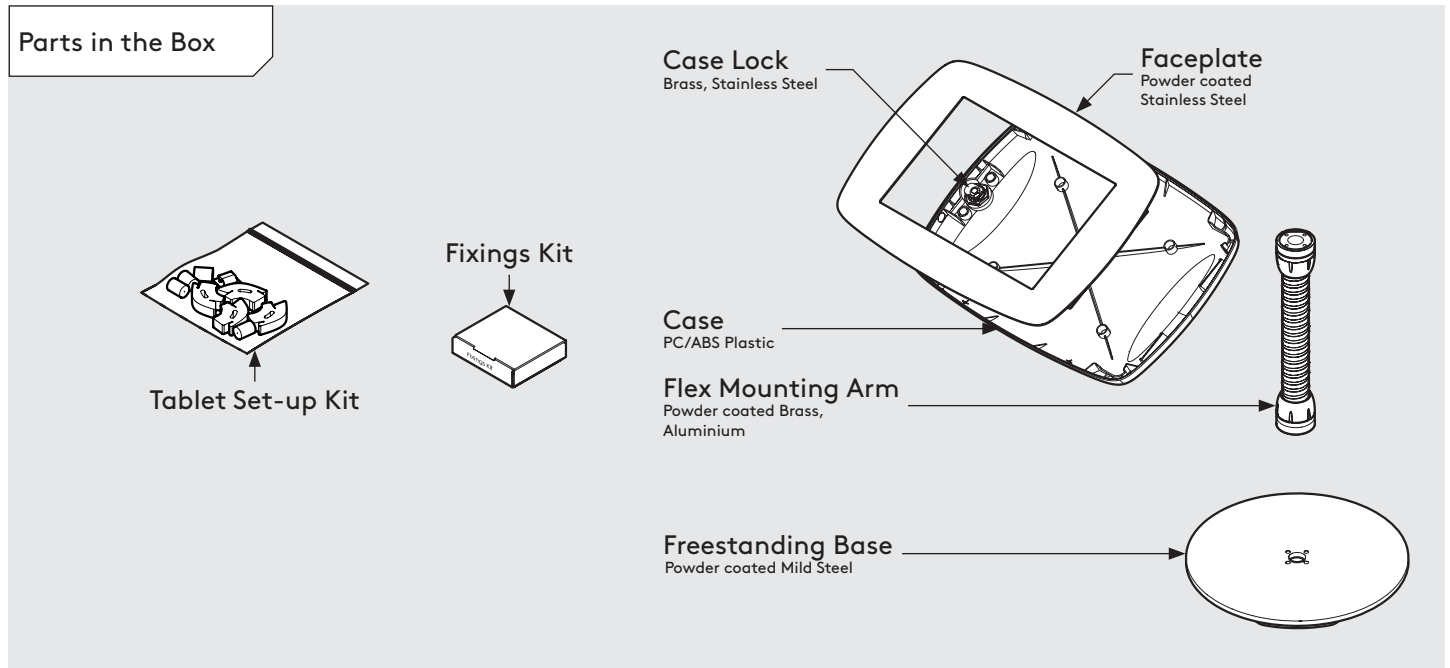
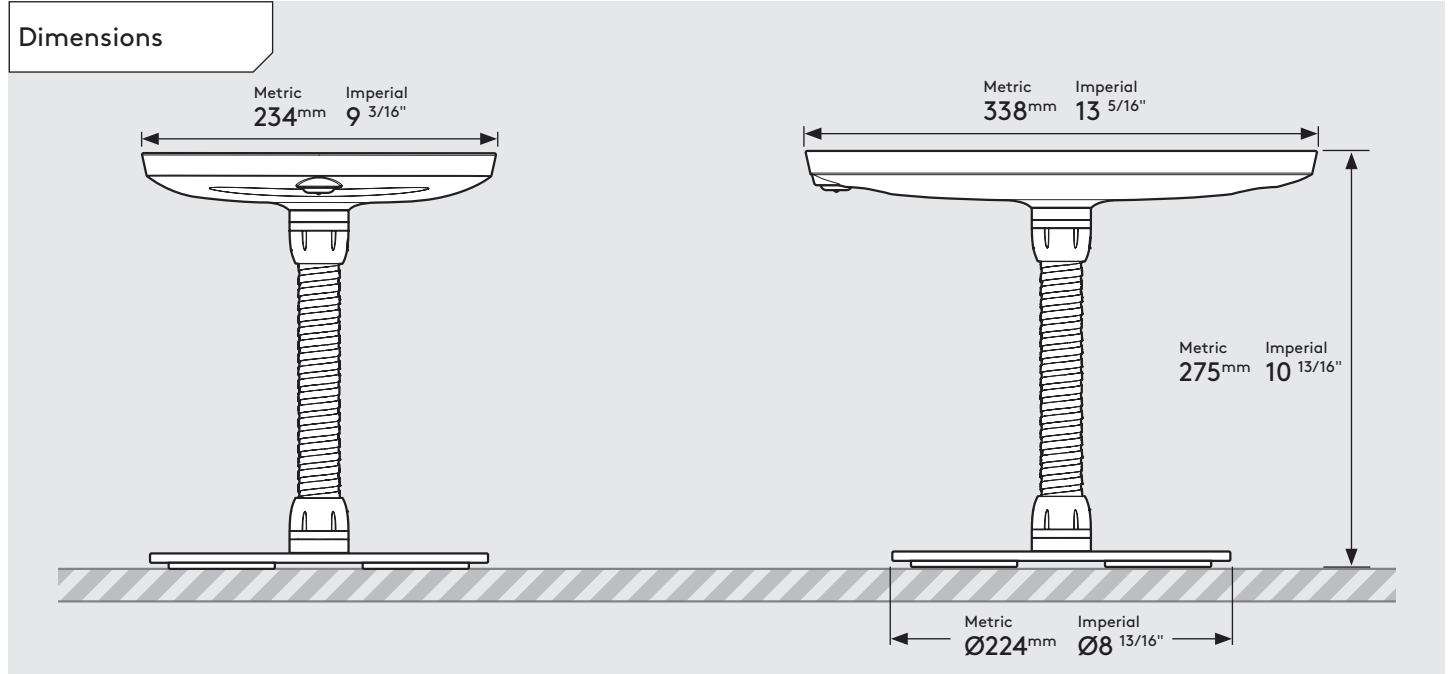
Parts in the Box



PRODUCT DATA SHEET - COUNTER FLEX (MAXI CASE)

bouncepad[®]

Case: Maxi **Arm:** Flex **Mounting:** Freestanding Base **Packaged weight:** 4.5kg **Colour:** White
Black



PRODUCT DATA SHEET - COUNTER FLEX (MEGA CASE)

bouncepad[®]

Case: Mega **Arm:** Flex **Mounting:** Freestanding Base **Packaged weight:** 5.0kg **Colour:** White
Black

