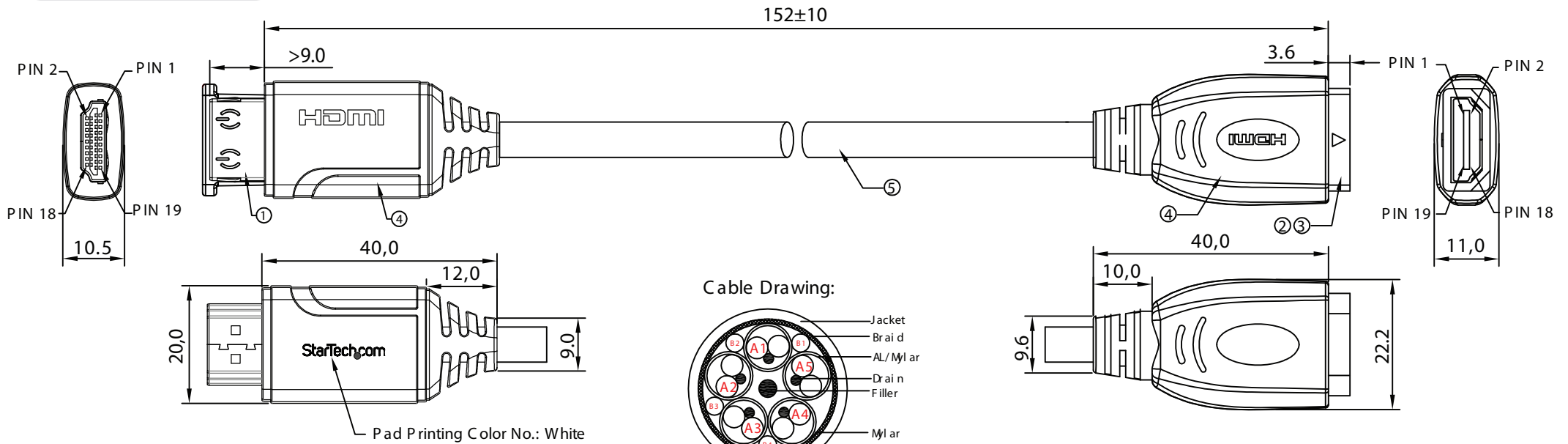
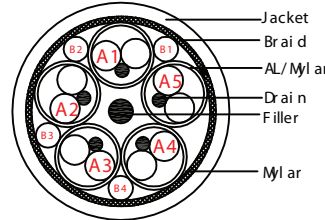


# 6in - Premium High Speed HDMI Port Saver Cable with Ethernet - 4K 60Hz - M/F

HD2MF6INL

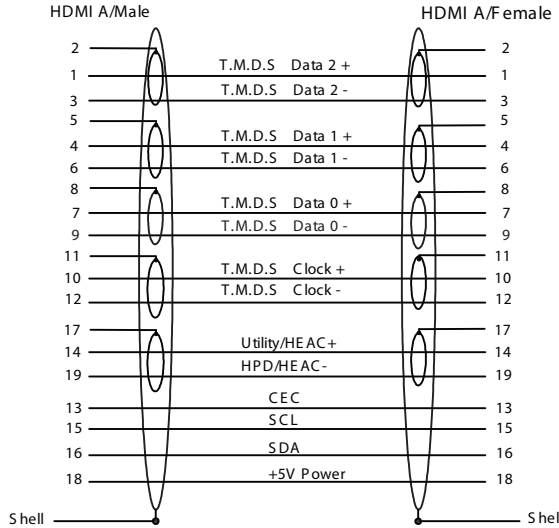


Cable Drawing:



Marking(color:White): PREMIUM HIGH SPEED HDMI R(logo) CABLE WITH ETHERNET UL(Logo) AWM 20276 VW-1 80 °C 30V E81280-D CHING TAI

## CONNECTION



## ELECTRIC TESTING:

- 1.100% OPEN & SHORT TESTING
2. INSULATION RESISTANCE: >20 MΩ
3. CONDUCTOR RESISTANCE: <5Ω
4. VOLTAGE: 300V DC/0.1S

5	{[(1/0.254Bc+HDPE)*1P+1/0.254Tc+AL/Mylar]*5P+(1/0.254Bc+HDPE)*4C+Filler+AL Mylar+16/13/0.08(85%)Tc Braid}*1C OD=6.0 0.15MM Jacket=Black PVC Jacket with White Text :PREMIUM HIGH SPEED HDMI R (logo) CABLE WITH ETHERNET UL(Logo) AWM 20276 VW-1 80! C 30V E81280-D CHING TAI (307B87U01800000)
4	Black PVC 50P(31401011050)
3	Nylon 6/6 Black(2312030335)
2	HDMI A/F Gold Plated(Pin 15u" Gold) (304370124G/342AAA240/YT-1200)
1	HDMI C-grip Plug - Gold Plated(Pin 15u" Gold) (3033700A9G/2342AAA148/CYT-3278)
ITEM	