

Vertical Cable Organizer with D-Ring Hooks - 20U

CMVER20UD



*actual product may vary from photos

FR: Guide de l'utilisateur - fr.startech.com

DE: Bedienungsanleitung - de.startech.com

ES: Guía del usuario - es.startech.com

NL: Gebruiksaanwijzing - nl.startech.com

PT: Guia do usuário - pt.startech.com

IT: Guida per l'uso - it.startech.com

For the latest information, technical specifications, and support for this product, please visit www.StarTech.com/CMVER20UD.

Use of Trademarks, Registered Trademarks, and other Protected Names and Symbols

This manual may make reference to trademarks, registered trademarks, and other protected names and/or symbols of third-party companies not related in any way to StarTech.com. Where they occur these references are for illustrative purposes only and do not represent an endorsement of a product or service by StarTech.com, or an endorsement of the product(s) to which this manual applies by the third-party company in question. Regardless of any direct acknowledgement elsewhere in the body of this document, StarTech.com hereby acknowledges that all trademarks, registered trademarks, service marks, and other protected names and/or symbols contained in this manual and related documents are the property of their respective holders.

Table of Contents

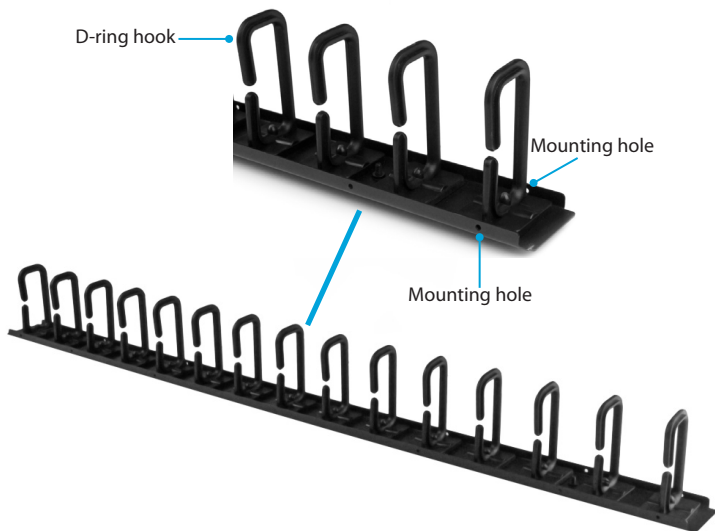
Introduction	1
Product diagram	1
Package contents	3
Installation requirements	3
Tool-less installation	4
Relocate the mounting buttons	4
Installation using tools	5
Remove the mounting buttons	5
Remove D-ring hooks	5
Attach the cable organizer	6
Installation options	7
Technical support	9
Warranty information	9

Introduction

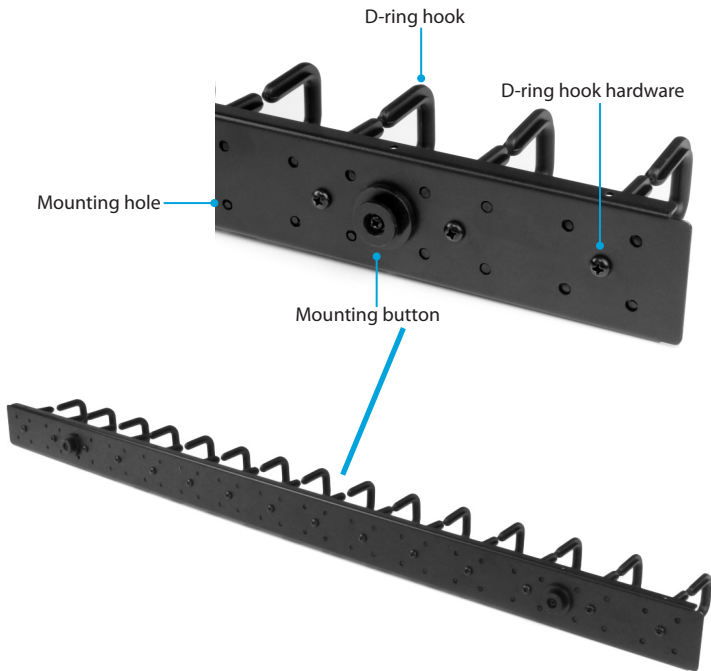
The CMVER20UD is a tool-less vertical cable organizer that works with virtually any two-post, four-post, or enclosed server rack or cabinet. The CMVER20UD provides an ideal solution for organizing the cables in your server rack or cabinet, and you can mount the cable organizer in different ways to suit your needs. The D-ring hooks are large enough to accommodate multiple cables of varying sizes.

Product diagram

Front



Back



Package contents

- 1 x vertical cable organizer
- 2 x M4 x 16 mm screws
- 4 x M4 nuts
- 4 x 12 mm washers
- 1 x instruction manual

Installation requirements

- If you relocate or remove the mounting buttons or D-ring hooks, a Phillips screwdriver is required.

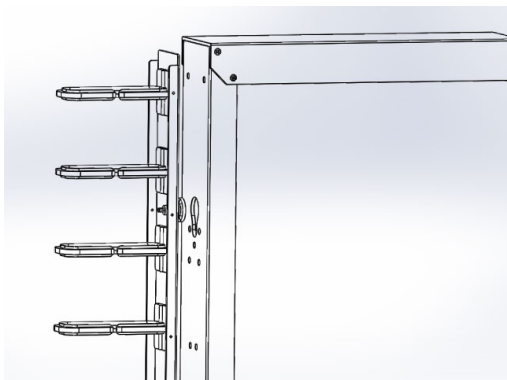
Installation requirements are subject to change. For the latest requirements, please visit www.StarTech.com/CMVER20UD.

Tool-less installation

If you don't need to move the mounting buttons or D-ring hooks, you don't require any tools to attach the cable organizer to a server rack or cabinet.

Note: You can attach the cable organizer to the outside or the inside of the server rack or cabinet.

- Attach the cable organizer to the server rack or cabinet so that the mounting buttons fit into the keyhole-shaped mounting holes on the server rack or cabinet.



Relocate the mounting buttons

The mounting buttons come preinstalled but you can move them to any of the holes on the cable organizer.

1. Use a Phillips screwdriver to remove the screw from the **mounting button**.
2. Select a **mounting hole** on the back or sides of the cable organizer.

Note: You can also move any of the D-ring hooks and use those holes to attach the mounting button. For more information, see the "Remove D-ring hooks" section.

3. Line up the **mounting button** with the hole and use a Phillips screwdriver to insert the screw that you removed in step 1 into the **mounting button** and cable organizer.
4. On the other side of the **mounting button**, attach one of the 12 mm washers and one of the **M4 nuts** to the screw.

Installation using tools

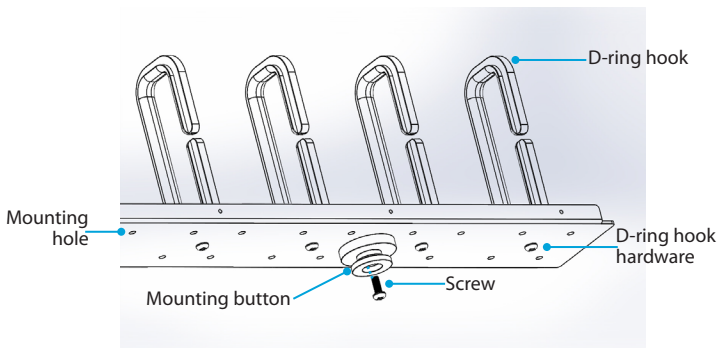
If your server rack doesn't have keyhole-shaped mounting holes, you need to remove the mounting buttons or two D-ring hooks, and use the included hardware to attach the cable organizer to your server rack.

Remove the mounting buttons

If you want to use the holes that the mounting buttons are in to attach the cable organizer to your server rack, you need to remove the mounting buttons.

- Use a Phillips screwdriver to remove the screws from the **mounting buttons**.

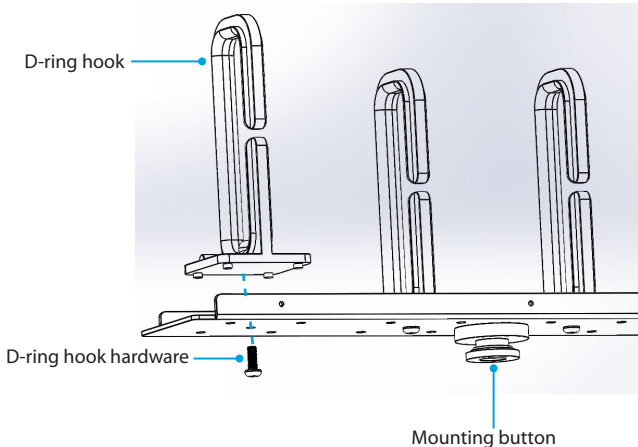
Note: Make sure that you store the mounting buttons and screws in a safe place so that you can use them again.



Remove D-ring hooks

- On the back of the cable organizer, use a Phillips screwdriver to remove the **D-ring hook hardware**.

Note: Make sure that you store the D-ring hooks and hardware in a safe place so that you can use them again.



Attach the cable organizer

After you remove the mounting buttons or D-ring hooks, complete the following to attach the cable organizer to your server rack:

1. Line up the mounting holes on the cable organizer with the **mounting holes** on any of the following on your server rack:
 - The vertical mounting plates.
 - The horizontal mounting rails.
 - The equipment-mounting holes.

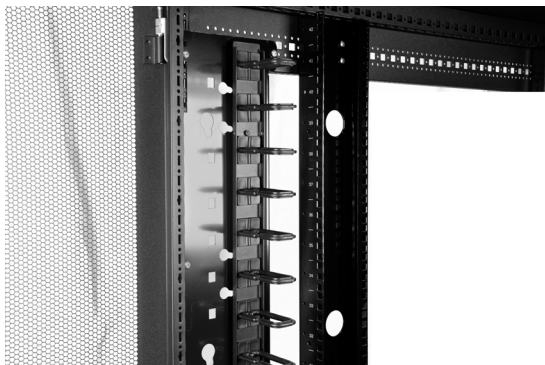
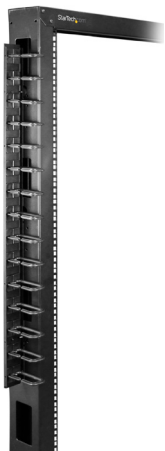
Note: To view images of some of the different installation options mentioned above, see the "Installation options" section.

2. Insert an **M4 x 16 mm screw** through the cable organizer and the server rack.
3. On the other side of the cable organizer and server rack, attach one of the **12 mm washers** and one of the **M4 nuts** to the screw.
4. Repeat steps 3 and 4 to attach a second screw.

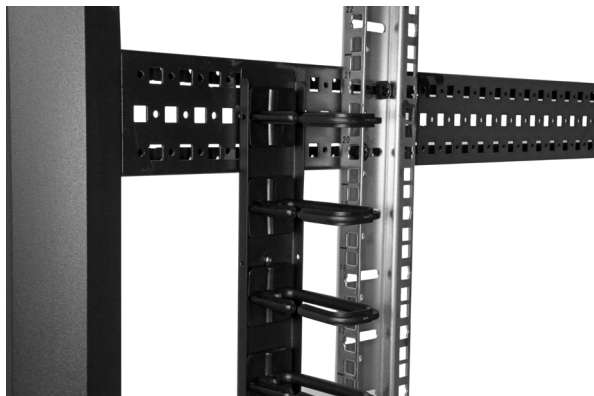
Installation options

The following images show some of the CMVER20UD installation options.

Attached to a vertical mounting plate



Attached to a horizontal mounting rail



Technical support

StarTech.com's lifetime technical support is an integral part of our commitment to provide industry-leading solutions. If you ever need help with your product, visit www.startech.com/support and access our comprehensive selection of online tools, documentation, and downloads.

For the latest drivers/software, please visit www.startech.com/downloads

Warranty information

This product is backed by a two-year warranty.

StarTech.com warrants its products against defects in materials and workmanship for the periods noted, following the initial date of purchase. During this period, the products may be returned for repair, or replacement with equivalent products at our discretion. The warranty covers parts and labor costs only. StarTech.com does not warrant its products from defects or damages arising from misuse, abuse, alteration, or normal wear and tear.

Limitation of Liability

In no event shall the liability of StarTech.com Ltd. and StarTech.com USA LLP (or their officers, directors, employees or agents) for any damages (whether direct or indirect, special, punitive, incidental, consequential, or otherwise), loss of profits, loss of business, or any pecuniary loss, arising out of or related to the use of the product exceed the actual price paid for the product. Some states do not allow the exclusion or limitation of incidental or consequential damages. If such laws apply, the limitations or exclusions contained in this statement may not apply to you.

Hard-to-find made easy. At StarTech.com, that isn't a slogan. It's a promise.

StarTech.com is your one-stop source for every connectivity part you need. From the latest technology to legacy products — and all the parts that bridge the old and new — we can help you find the parts that connect your solutions.

We make it easy to locate the parts, and we quickly deliver them wherever they need to go. Just talk to one of our tech advisors or visit our website. You'll be connected to the products you need in no time.

Visit www.startech.com for complete information on all StarTech.com products and to access exclusive resources and time-saving tools.

StarTech.com is an ISO 9001 Registered manufacturer of connectivity and technology parts. StarTech.com was founded in 1985 and has operations in the United States, Canada, the United Kingdom and Taiwan servicing a worldwide market.