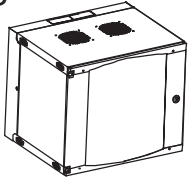

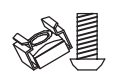




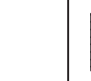


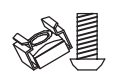




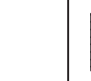


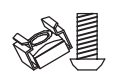




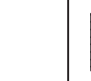

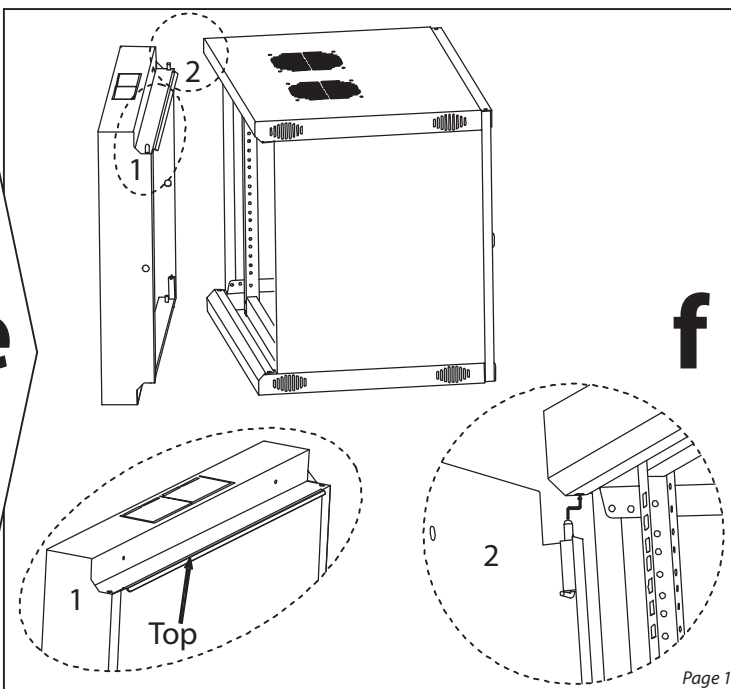
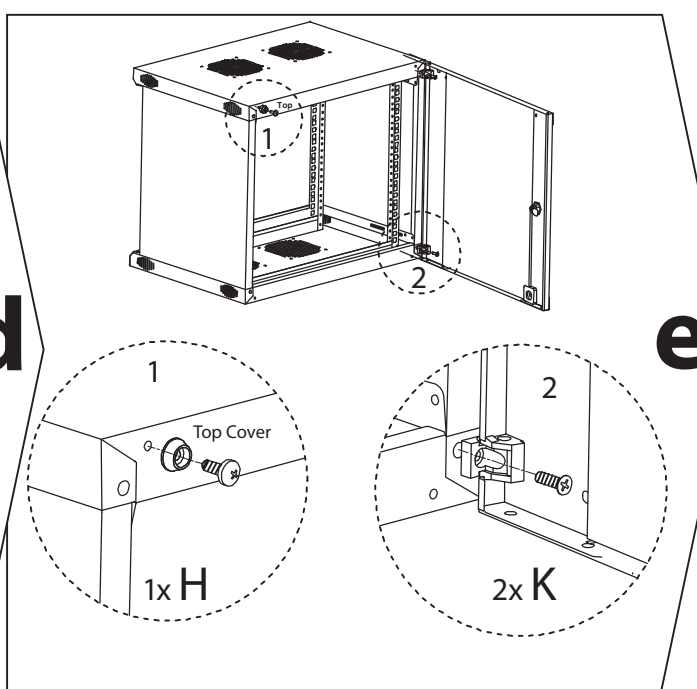
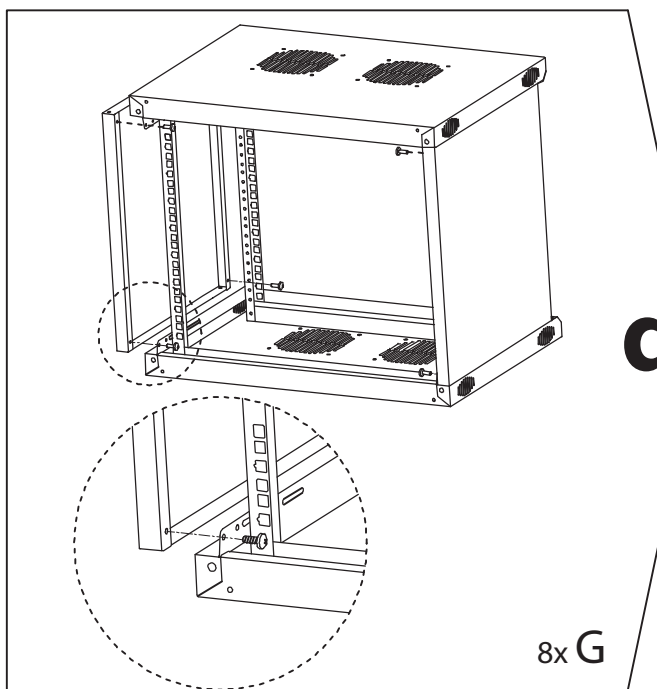
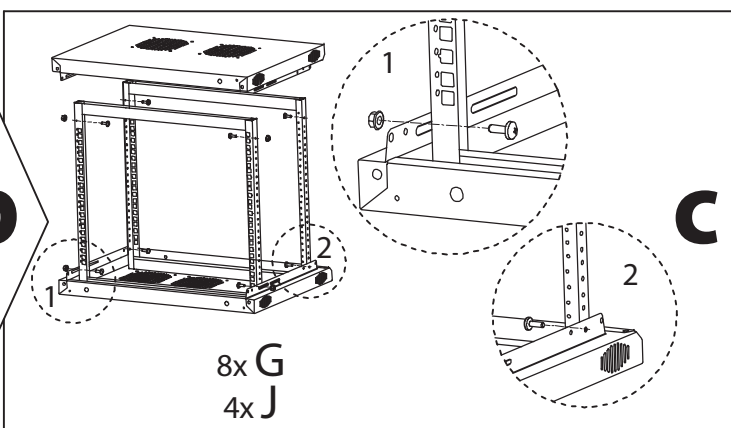
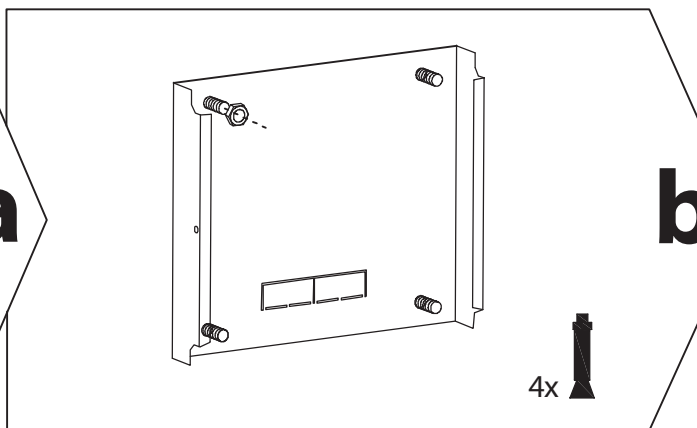
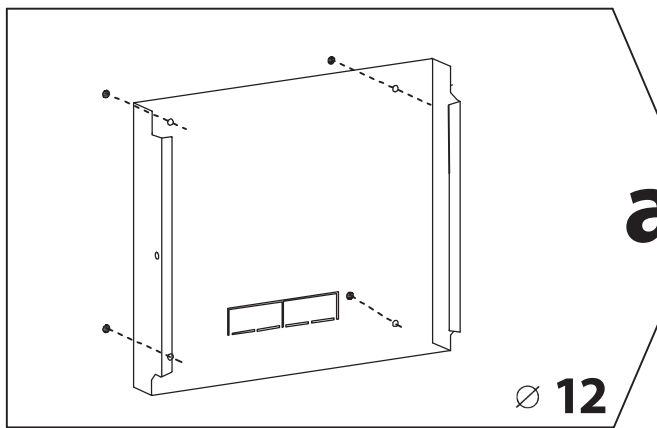
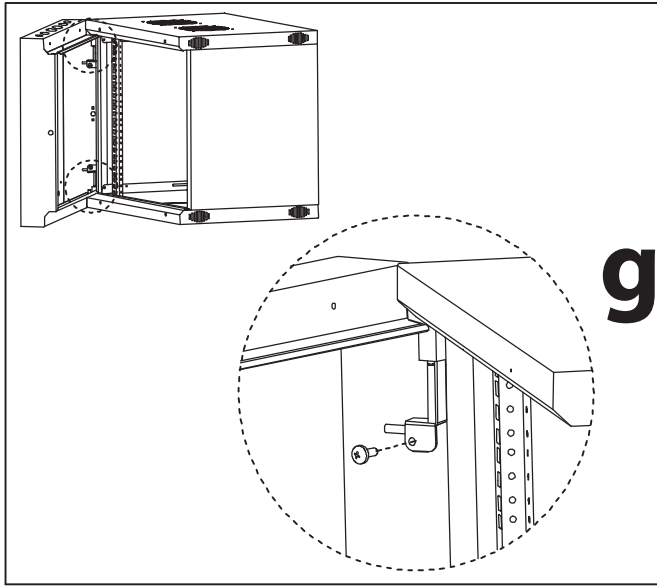
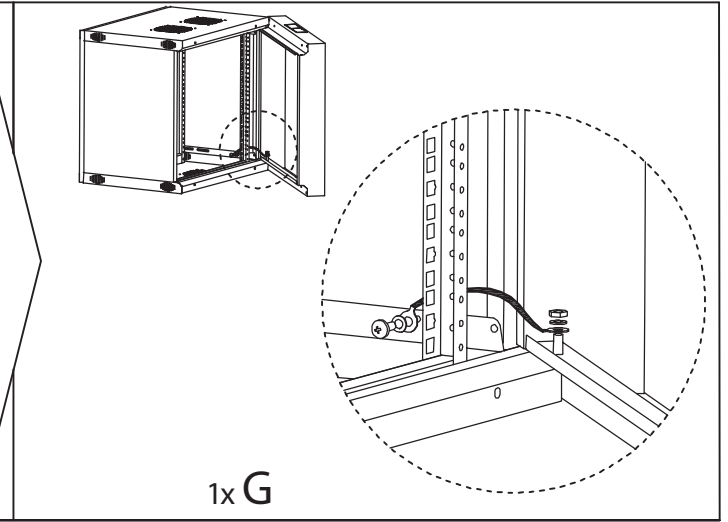
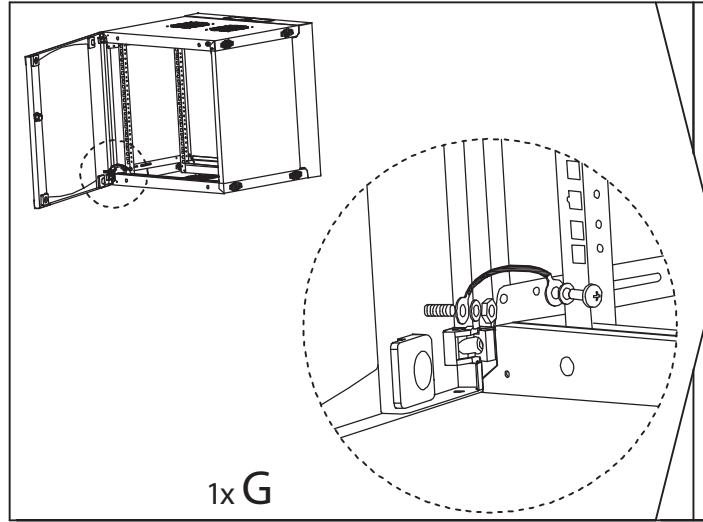


Package Contents	Item list of Accessories Package	Required for Installation								
 <p>Max. 30kg</p>	<table border="1"> <tr> <td data-bbox="510 183 627 363">  E 1x Usage Instruction </td> <td data-bbox="627 183 772 363">  F 10x M6x12mm screw & nuts (20pcs for over 12U) </td> <td data-bbox="772 183 896 363">  G 18x M5x10mm screw </td> <td data-bbox="896 183 1019 363">  H 1x Guide piece 1x M4x10mm screw </td> <td data-bbox="1019 183 1120 363">  J 4x M5 nut </td> <td data-bbox="1120 183 1243 363">  K 2x M5x14mm screw </td> <td data-bbox="1243 183 1344 363">  L 2x Key </td> <td data-bbox="1344 183 1429 363">  M 1x Label </td> </tr> </table>	 E 1x Usage Instruction	 F 10x M6x12mm screw & nuts (20pcs for over 12U)	 G 18x M5x10mm screw	 H 1x Guide piece 1x M4x10mm screw	 J 4x M5 nut	 K 2x M5x14mm screw	 L 2x Key	 M 1x Label	<p>Drill</p> <p>12 Drill Bits</p> <p>Screwdriver</p> <p>M8 bolt</p>
 E 1x Usage Instruction	 F 10x M6x12mm screw & nuts (20pcs for over 12U)	 G 18x M5x10mm screw	 H 1x Guide piece 1x M4x10mm screw	 J 4x M5 nut	 K 2x M5x14mm screw	 L 2x Key	 M 1x Label			

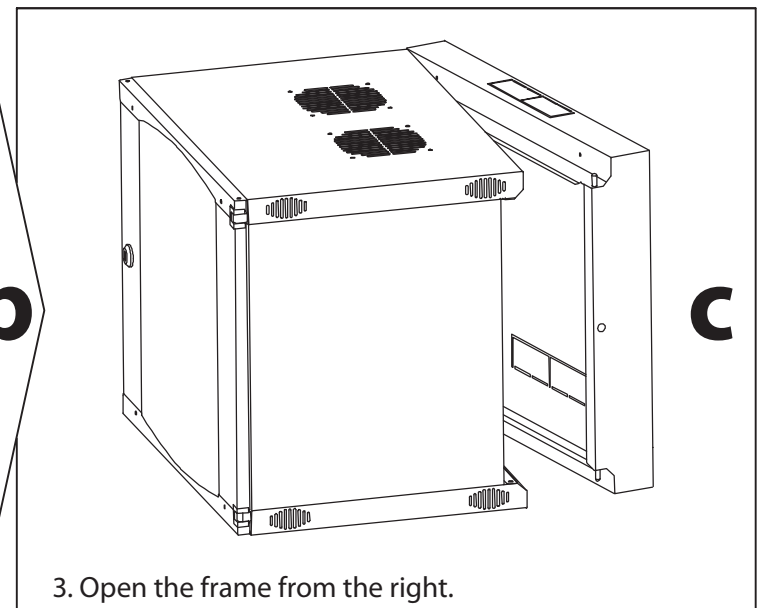
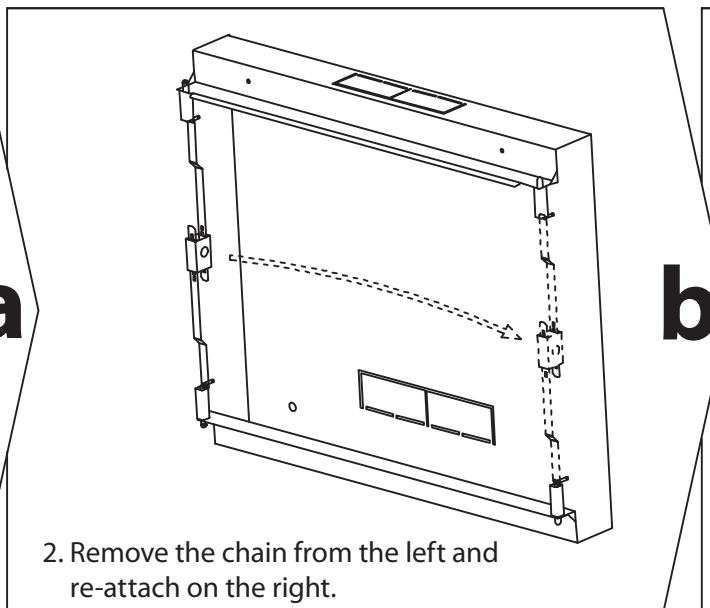
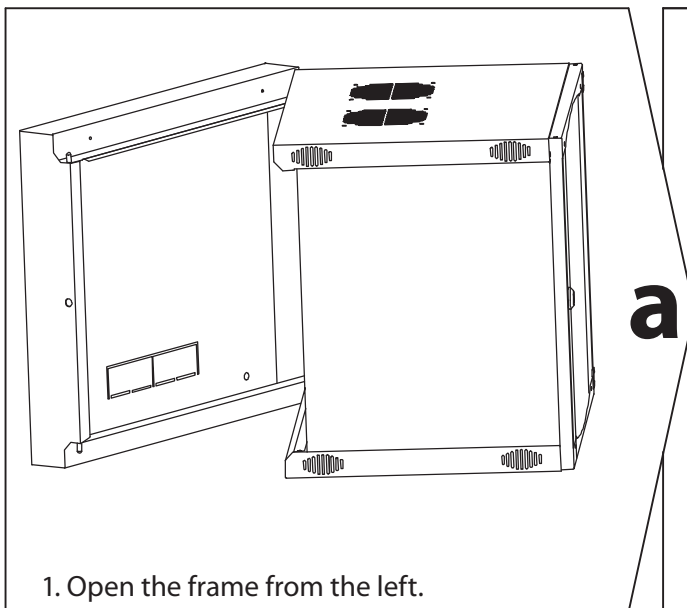




Ground / Earthing Installation



How to Convert Opening Direction



For more information, visit: intellinetnetwork.com