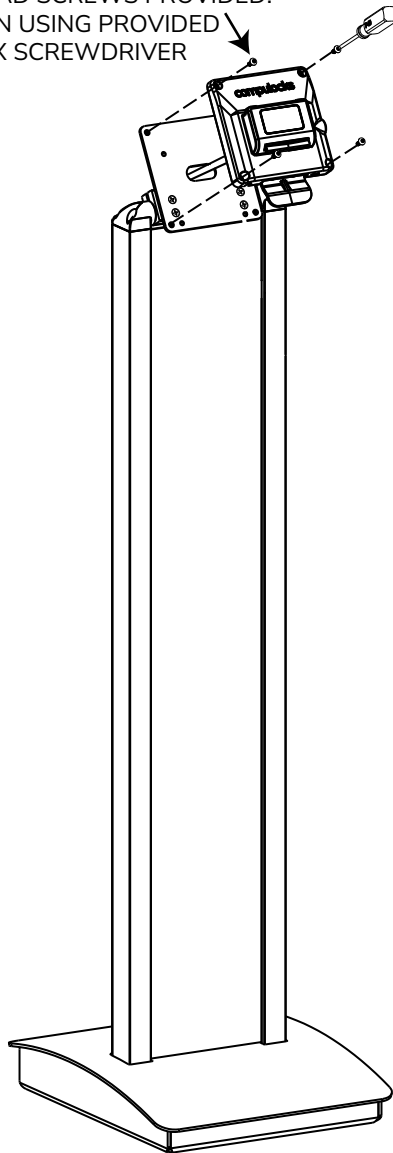


Assembly Instructions

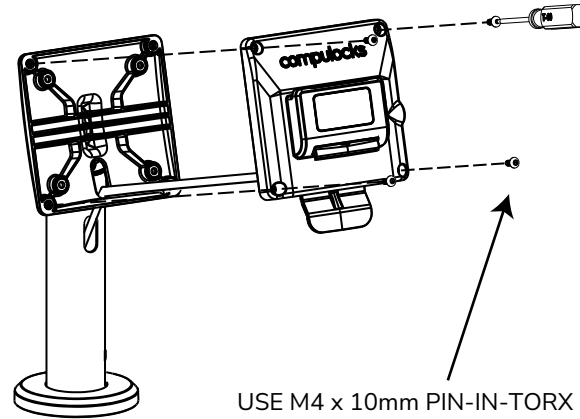
Mounting Options

1 Floor Stand Mounting

USE M4 x 10mm PIN-IN-TORX  
BUTTON HEAD SCREWS PROVIDED.  
TIGHTEN USING PROVIDED  
TORX SCREWDRIVER

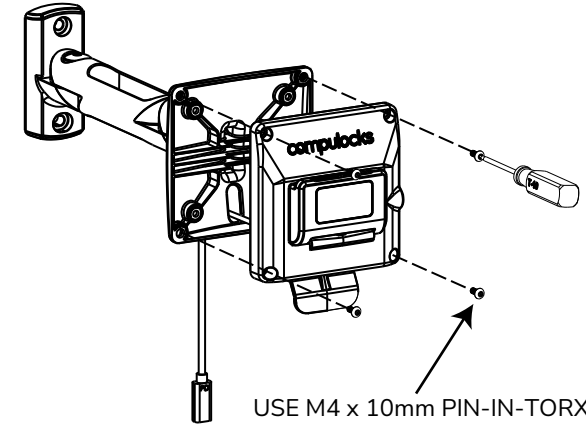


2 Counter Stand Mounting



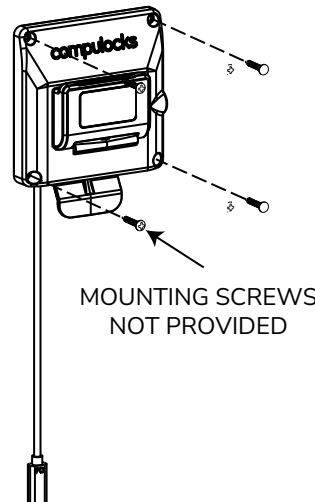
USE M4 x 10mm PIN-IN-TORX  
BUTTON HEAD SCREWS PROVIDED.  
TIGHTEN USING PROVIDED  
TORX SCREWDRIVER

3 Wall Arm Mounting



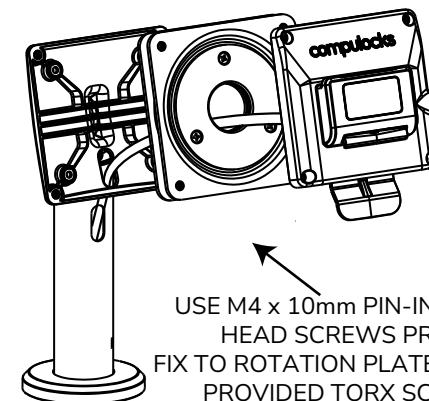
USE M4 x 10mm PIN-IN-TORX  
BUTTON HEAD SCREWS PROVIDED.  
TIGHTEN USING PROVIDED  
TORX SCREWDRIVER

4 Direct Mounting To Wall



MOUNTING SCREWS  
NOT PROVIDED

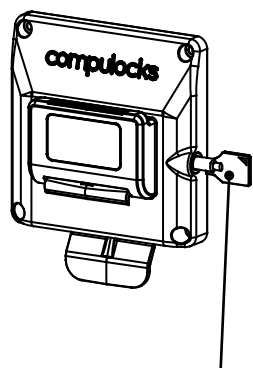
Optional Add-On:  
Portrait To Landscape Rotation Plate



USE M4 x 10mm PIN-IN-TORX BUTTON  
HEAD SCREWS PROVIDED TO  
FIX TO ROTATION PLATE. TIGHTEN USING  
PROVIDED TORX SCREWDRIVER.  
USE SCREWS PROVIDED WITH ROTATION PLATE  
TO SECURE TO STAND or ARM

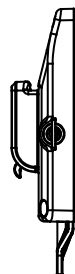
### Placing Tablet with Connector to Dock Station

1



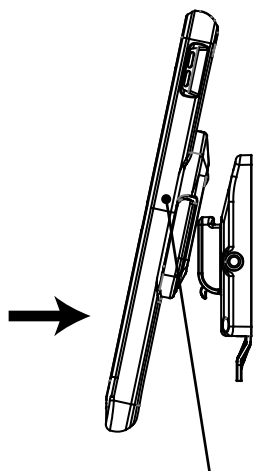
USE KEY TO UNLOCK THE LOCK.  
REMOVE KEY

2



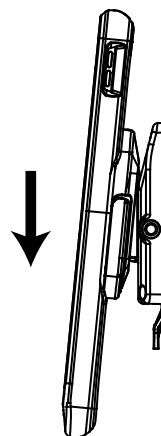
ALIGN CONNECTOR TO DOCK STATION

3

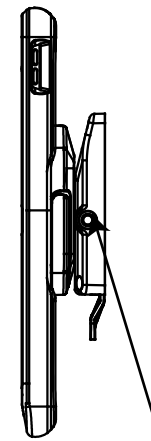


APPLY LIGHT PRESSURE.  
LATCH WILL ENGAGE

4

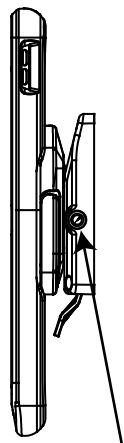


PUSH LOCK BUTTON TO SECURE  
TABLET TO DOCK STATION



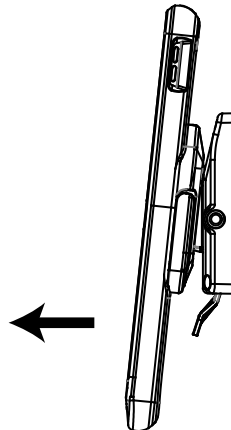
### Removing Tablet with Connector from Dock Station

1



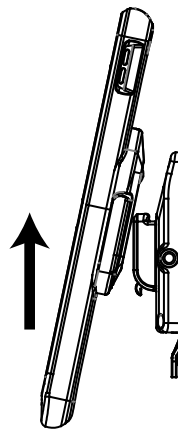
PRIOR TO PULLING LATCH,  
UNLOCK LOCK USING KEY

2



PULL LATCH FORWARD

3



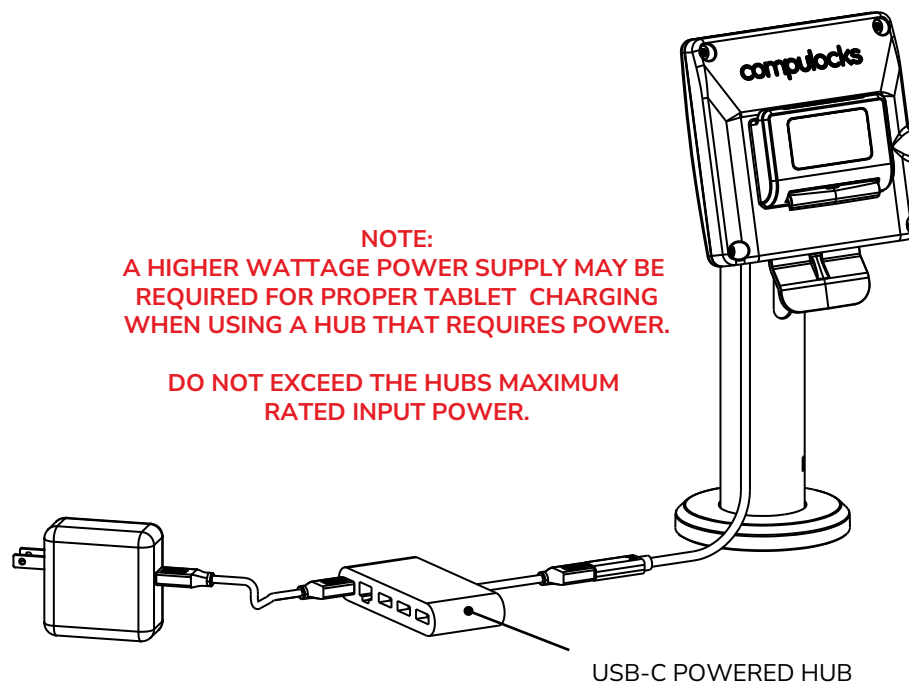
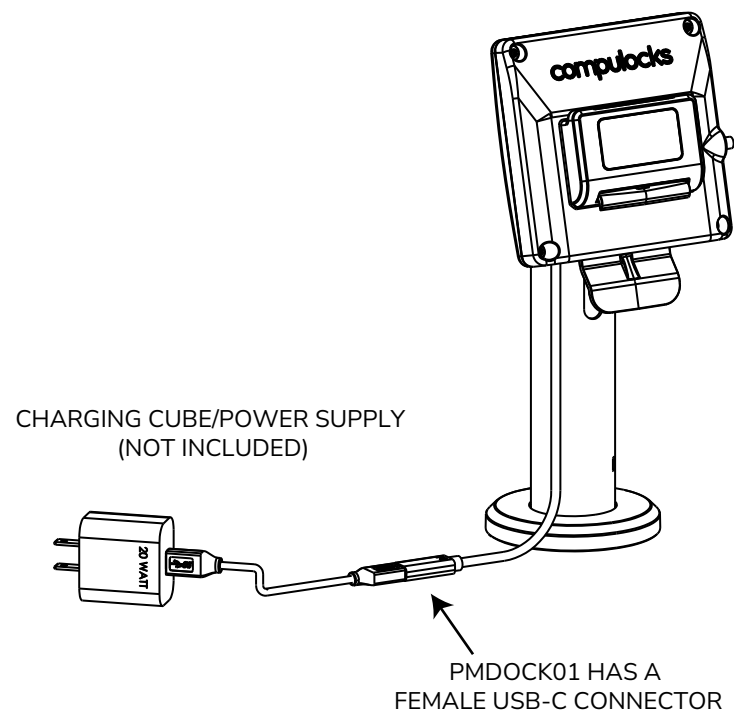
GENTLY PULL UP TO RELEASE

4



Tablet Charge PD Compatible

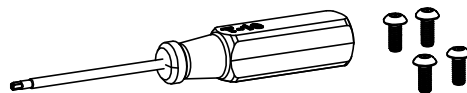
Tablet Data and Charge PD Compatible



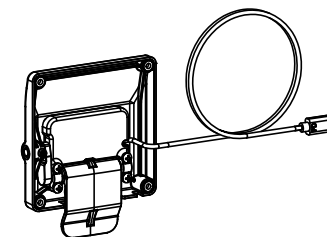
IN THE BOX



Keys

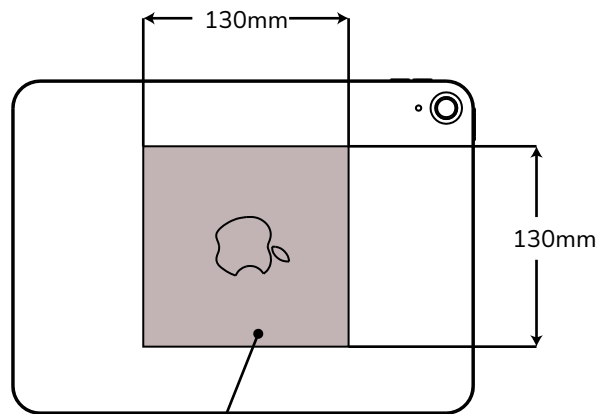


Hardware Kit



PowerMove Dock Station

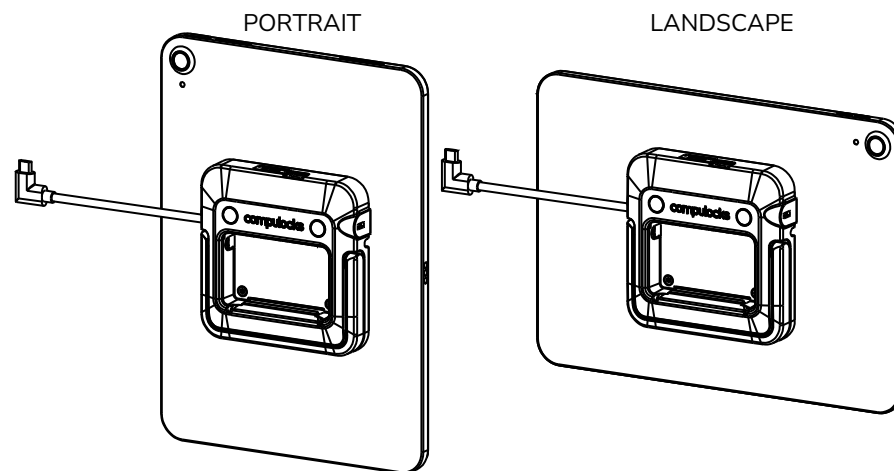
1



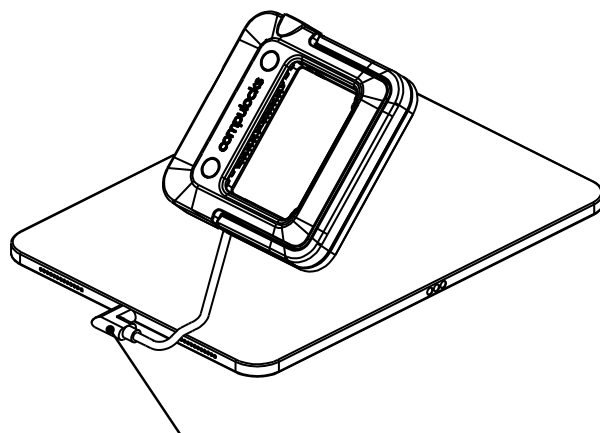
USING ALCOHOL PAD PROVIDED,  
CLEAN 130mm SQUARE AREA CENTERED ON THE BACK OF THE TABLET.  
ALLOW TO AIR DRY

2

SELECT THE ORIENTATION  
OF THE CONNECTOR ON THE TABLET



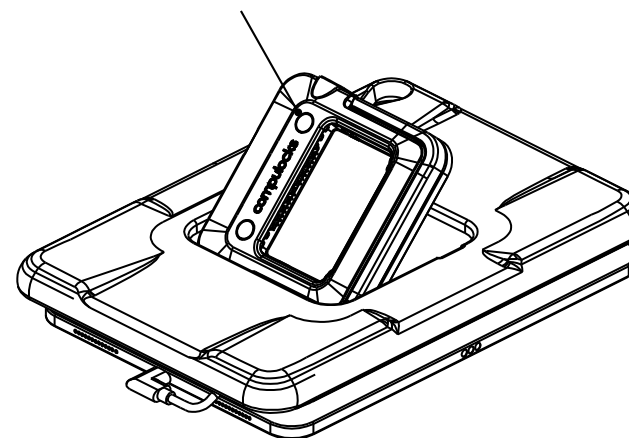
3



INSTALL RIGHT ANGLE USB-C CABLE  
AS SHOWN

4

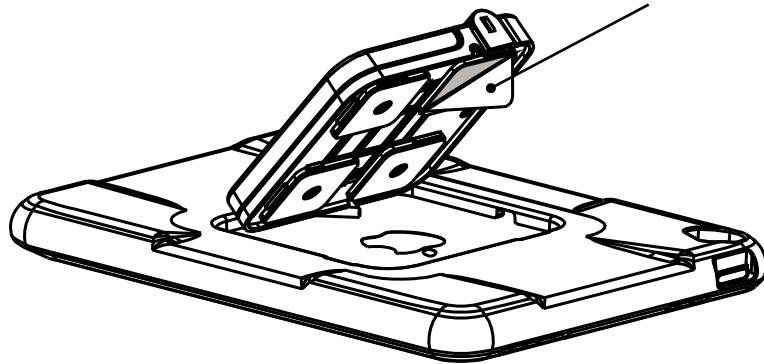
PASS CONNECTOR THROUGH CASE\*  
AND INSTALL CASE ON TABLET



\*CASE SOLD SEPARATELY

5

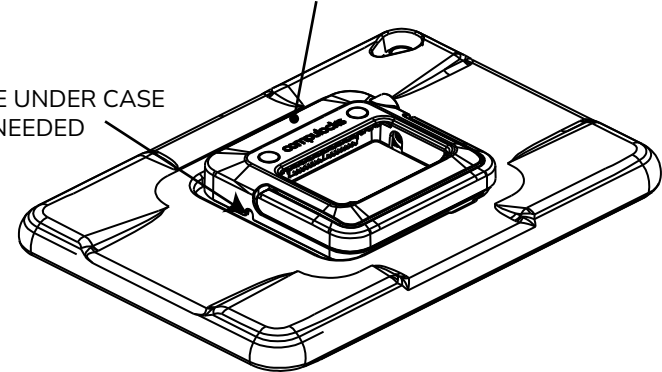
REMOVE COVERS TO EXPOSE  
ADHESIVE ON ALL 4 PADS



6

CENTER CONNECTOR ON OPENING  
IN CASE AND ADHERE TO TABLET WITH MILD PRESSURE

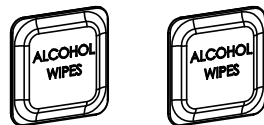
FEED CABLE UNDER CASE  
AS NEEDED



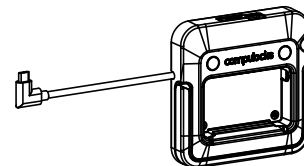
NOTE:  
TABLET AND CONNECTOR SHOULD BE AT  
ROOM TEMPERATURE FOR BEST RESULTS

FOR BEST PERFORMANCE ALLOW  
CONNECTOR TO BOND TO TABLET FOR 12 HOURS.

IN THE BOX



Alcohol Wipes



PowerMove Connector