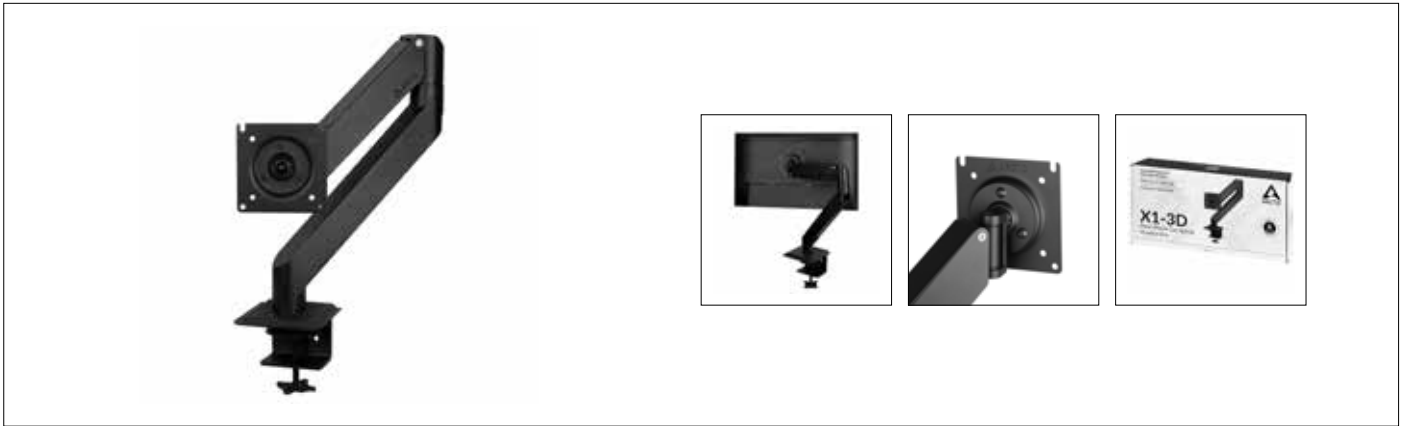


# X1-3D

## Desk Mount Gas Spring Monitor Arm

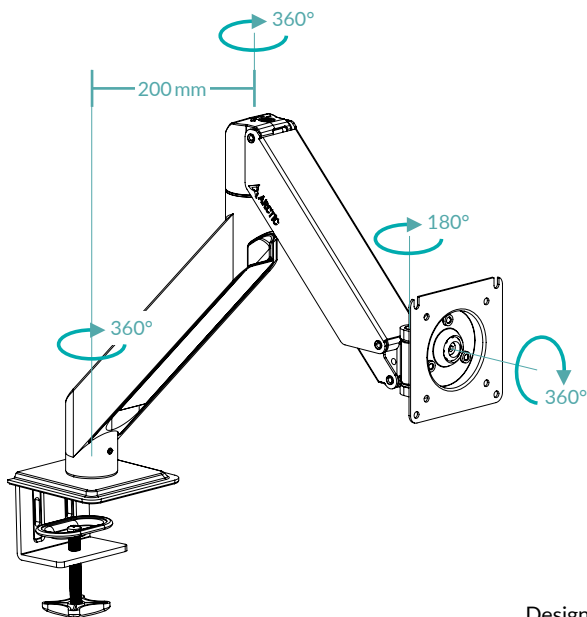
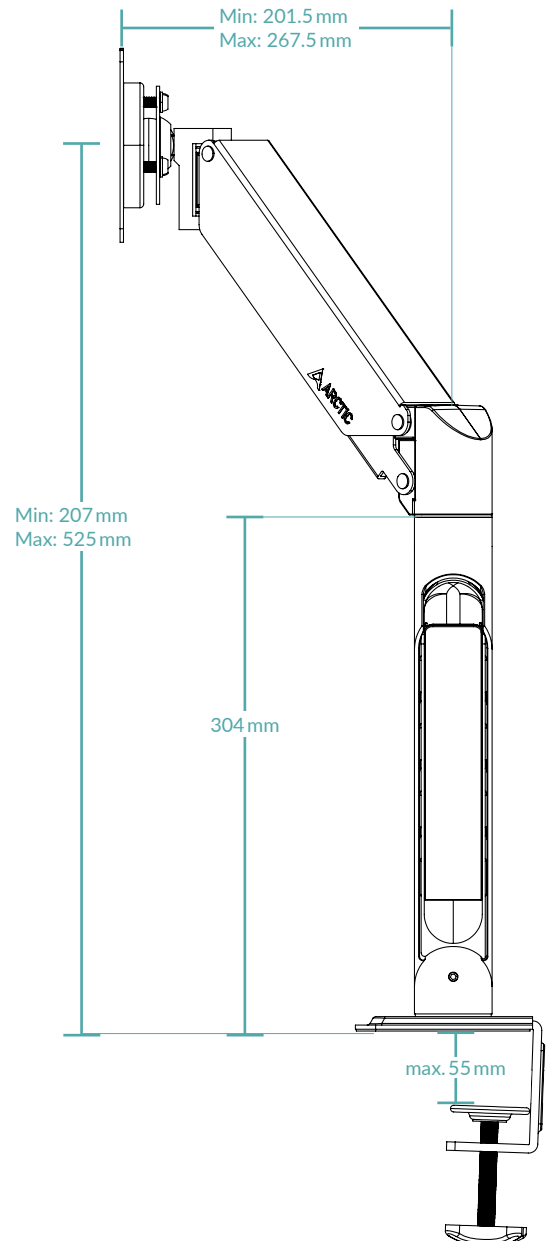


### General Specifications

Supported Screen Size	≤ 40"/≤ 43" Ultrawide Monitor
VESA Standard	VESA 75 (75x75) ; VESA 100 (100x100)
Maximum Monitor Weight	10kg/22 lbs
Rotation	360°
Swivel	180°
Tilt	+/-15°
Lift	207-525 mm
Table Thickness	20-55 mm
Material	Steel, Aluminum Alloy ADC 12, and Zinc Alloy
Weight	3.5 kg
Colour	Matt Black

### Shipping Information

Box Dimensions	445 (L) x 228 (W) x 124 (H) mm
Gross Weight	3.925 kg
SKU	AEMNT00062A
EAN	4895213703598
UPC	840033401401



Designed by ARCTIC



Product Information



Manual