

NS-WS300BLACK

SPECIFICATIONS

GENERAL

Min. weight	0 kg (per screen)
Max. weight	15 kg (per screen)

FUNCTIONALITY

Height adjustment	11-50,5 cm
Width adjustment	95 cm
Depth adjustment	61,5 cm
Adjustment type	Gas spring

INFORMATION

Color	Black
Main material	Wood
Warranty	5 year
EAN code	8717371447120

*Please note: The inch sizes stated are just an indication, combined with the weight and VESA sizes. The maximum weight and VESA size are absolute restrictions for the products and should not be exceeded.

NEOMOUNTS SIT-STAND WORKSTATION



Neomounts Sit-Stand Desktop Workstation - Black

The Neomounts sit-stand workstation, model NS-WS300BLACK, converts a table top into a healthy sit-stand workstation. This workstation includes a spacious upper display surface and lower keyboard and mouse desk. It features spring-assisted lift mechanism that lets you switch easily between sitting and standing in just a few seconds.

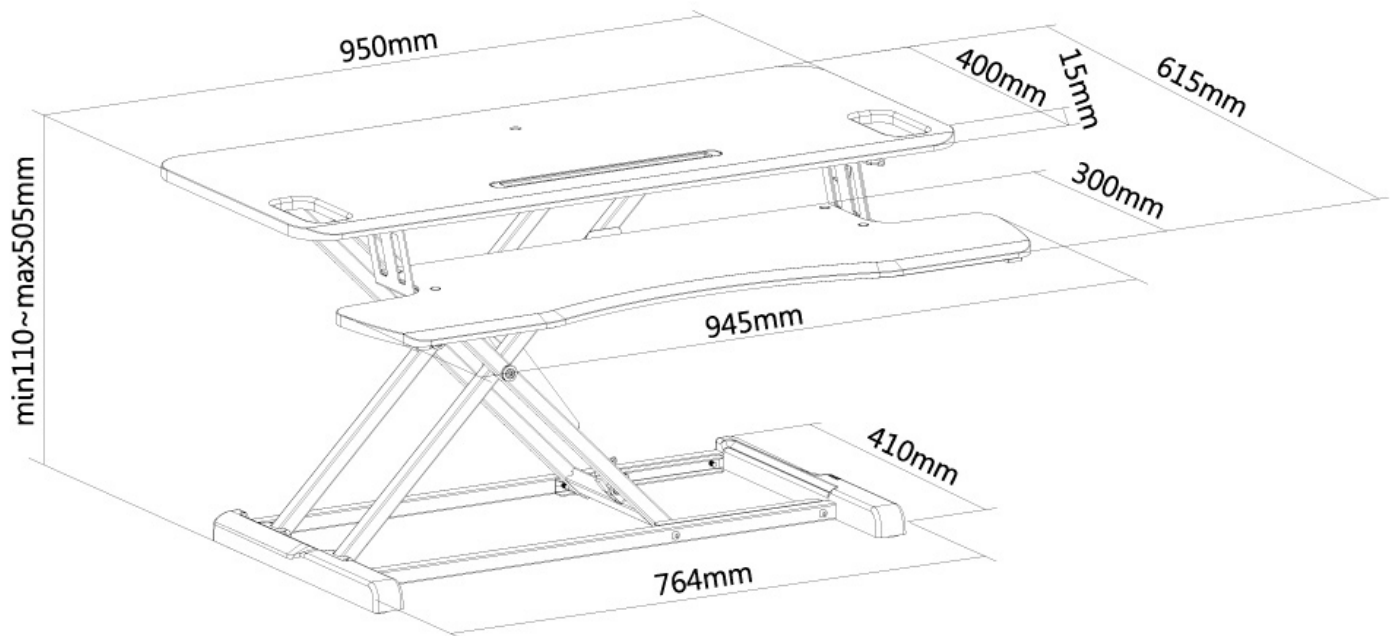
This ergonomic product offers you maximum comfort, freedom of movement and productivity. It holds up to 15 kg, while staying steady and solid at any height. Simple to start enjoying the health benefits of standing while you work.

- Large work surface (95x40 cm) accommodates two monitors or a monitor and a laptop.
- Ergonomic keyboard tray (95x30 cm) keeps staggered height between keyboard and monitor to prevent neck strain.
- Stepless height adjustment (11-50,5 cm) allows a comfortable standing or sitting position as you want.
- Gas spring lifting mechanism allows to easily moving the desk up and down, even with your computer equipment.
- Dual squeeze handles effortlessly activate and inactivate the height adjustment mode.
- Sturdy construction keeps stable and solid even fully extended.

No assembly required comes ready to use out of the box.

NS-WS300BLACK

NEOMOUNTS SIT-STAND WORKSTATION



Neomounts