



THE POWER OF **CONNECTED**

MB4-SCN02/ MB12-SCN02

Multi-Bay Scanner Charging Station

Quick Start Guide

Overview

The MB4-SCN02 and MB12-SCN02 are multi-bay charging stations for use with the 8680i Wearable Mini-Mobile Computer. With a standard capacity battery (BAT-SCN03) installed, the 8680i is capable of 3000 scans and stays powered for 8 hours. With a high capacity battery (BAT-SCN02) installed, the 8680i is capable of 8000 scans and stays powered for 10 hours.

The scanner's battery is not fully charged when shipped. The scanner should be charged for a minimum of 4 hours before initial use to ensure optimal performance.

Unpack your charging station

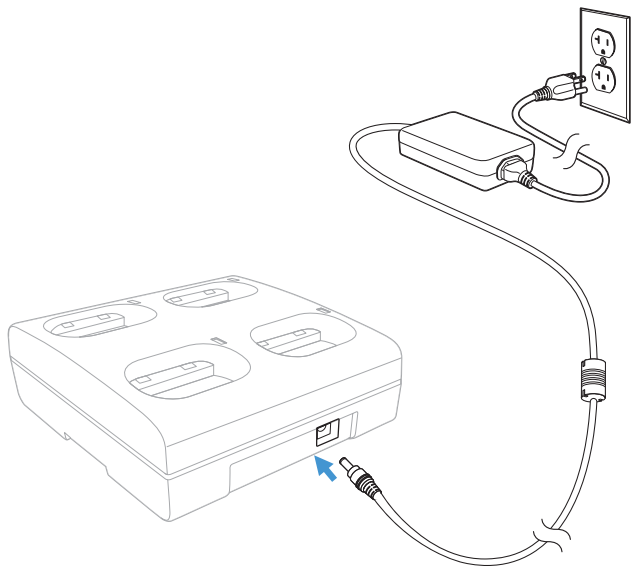
After you open the shipping carton containing the product, take the following steps:

- Check for damage during shipment. Report damage immediately to the carrier who delivered the carton.
- Make sure the items in the carton match your order.
- Save the shipping container for later storage or shipping.

Power

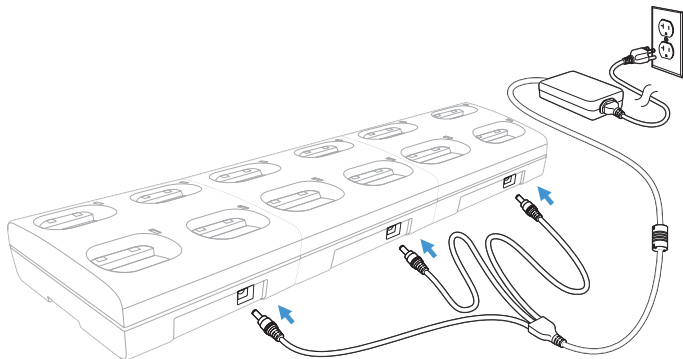
MB4-SCN02:

Use only a UL Listed power supply, qualified by Honeywell, with an output rated at 12VDC and 3A with the device. The power supply input rating is 100-240V, 50/60Hz, and 1.5A. Operating temperature -4°F to 104°F (-20°C to 40°C).



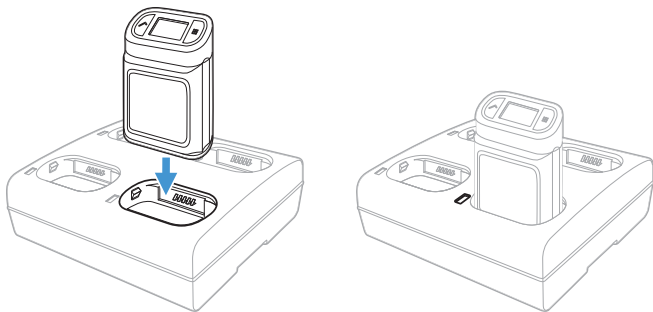
MB12-SCN02:

Use only a UL Listed power supply, qualified by Honeywell, with an output rated at 12VDC and 8.5A with the device. The power supply input rating is 85-264V, 47/63Hz. Operating temperature -4°F to 104°F (-20°C to 40°C).



Charging a Scanner

Line the scanner's contacts up with the contacts in the charging pocket. Firmly press the scanner straight down into the battery charging pocket. The status LED to the left of the pocket lights up in white when the scanner is properly inserted.



It is important that scanners are inserted into the charging pocket correctly. Inserting the scanner incorrectly could result in damage to the scanner or the charger.

When the 8680i is placed in a charging pocket, the charger begins charging the battery. There is a slight delay while the charger evaluates the condition of the battery before charging begins.

While charging, the user display shows the battery charge level. The following indicators may also appear:



49% charge or less



50 - 94% charge



95% charge or more



Battery out of temperature range



Bad battery

Mount a 4-Bay Charger

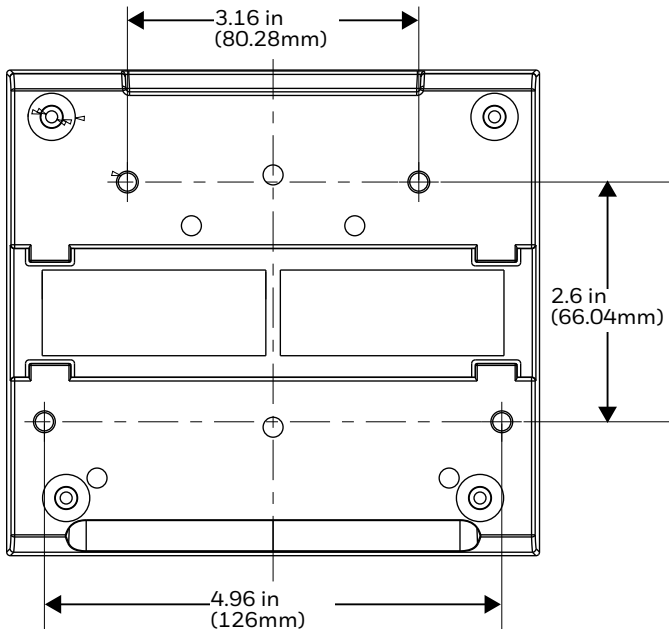
Note: Mounting information applies only to the 4-bay MB4-SCN02 battery charger. It does not apply to the 12-bay MB12-SCN02 battery charger.

The 4-bay charger should be on a dry, stable surface and can be mounted on a flat, horizontal surface such as a desktop or workbench. When choosing a location, always keep in mind:

- The mounting location must allow users easy access to the power connector.
- The charger should be oriented so that users can easily insert and remove scanners and see the user displays.

Option 1

Use the four SL-B M3.5 x 8 screws to mount the charger to a flat, horizontal surface.



Option 2

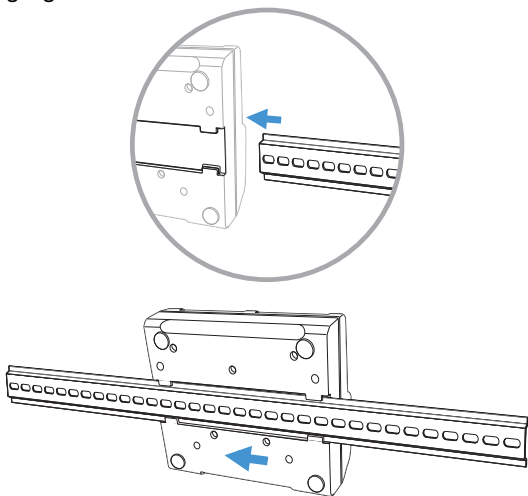
The DIN rail slot on the bottom panel enables secure mounting to a charge rack.

Hardware Required

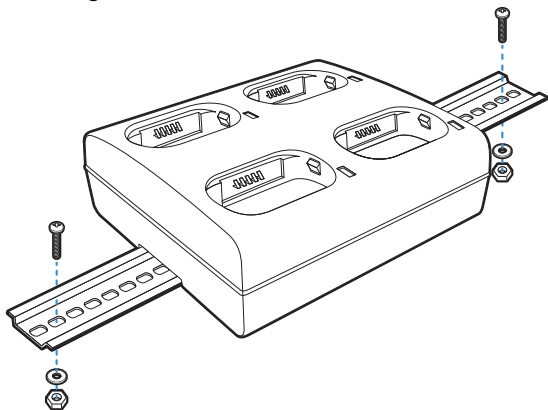
- DIN rail
- 3/16 in. dia. x 5/8 in. long pan head screw
- 1/2 in. OD x 7/32 in. ID x 3/64 in. thick flat washer
- 3/16 in. dia. nut

Installation

1. Slide the DIN rail into the DIN rail slot on the bottom of the charging station.



- Using the appropriate hardware above, secure the DIN rail to the charge rack.



Cautions and Warnings



There is a danger of explosion if the batteries are incorrectly replaced. Use only Honeywell lithium ion battery packs, model numbers BAT-SCN02 or BAT-SCN03 in this device. Use of any non-Honeywell battery may result in damage not covered by the warranty. Dispose of used batteries according to the recycle program for batteries as directed by the governing agency for the country where the batteries are to be discarded.



Use the provided AC power supply only. Using any other type of AC power supply is prohibited.

Do not disassemble or perform modifications to the charging station. There are no user serviceable components in the charging station.

Support

To search our knowledge base for a solution or to log into the Technical Support portal and report a problem, go to www.hsmcontactsupport.com.

User Documentation

For the user guide and other documentation, go to www.honeywellaidc.com.

Limited Warranty

For warranty information, go to www.honeywellaidc.com and click **Get Resources > Product Warranty**.

Patents

For patent information, see www.hsmpats.com.

Disclaimer

Honeywell International Inc. (“HII”) reserves the right to make changes in specifications and other information contained in this document without prior notice, and the reader should in all cases consult HII to determine whether any such changes have been made. The information in this publication does not represent a commitment on the part of HII.

HII shall not be liable for technical or editorial errors or omissions contained herein; nor for incidental or consequential damages resulting from the furnishing, performance, or use of

this material. HII disclaims all responsibility for the selection and use of software and/or hardware to achieve intended results.

This document contains proprietary information that is protected by copyright. All rights are reserved. No part of this document may be photocopied, reproduced, or translated into another language without the prior written consent of HII.

Copyright © 2018 Honeywell International Inc. All rights reserved.