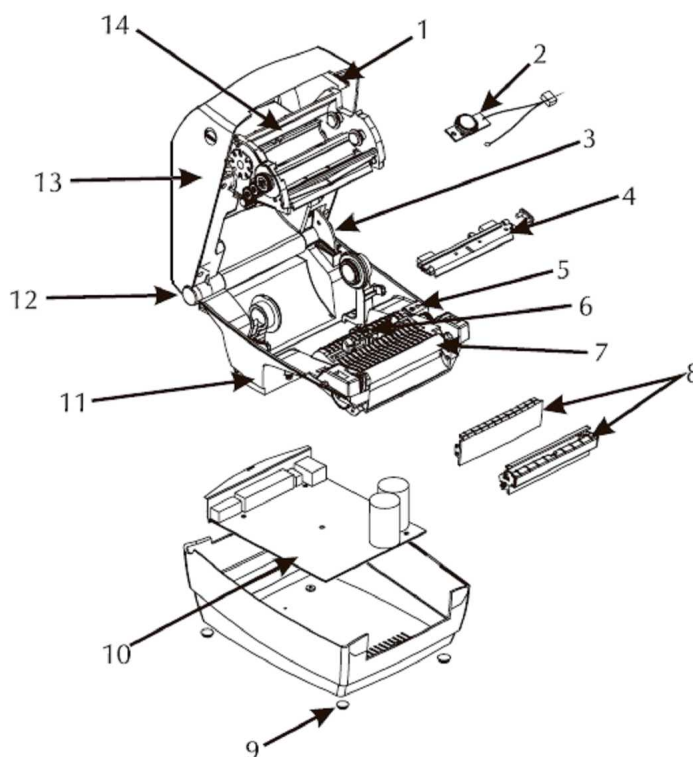


TLP 2844 Parts Catalog

View 1



Item Number	Description	Part Number	Kit Quantity
1	Latch Assy.	105910-052	1
2	Feed Switch / Sensor Assy.	G105910-064	3
3	Upper Cover Support	G105910-066	3
4	Printhead Assy., (203 dpi)	G105910-053	1
4	Print Head Cable Assy.	105910-065	1
5	Head Up Sensor	G105910-072	1
6	Gap / Blackline Sensor PCBA	G105910-054	3
7	Platen Kit, std.	105910-055	3
8	Front Bezel, std.	105910-057	10
8	Front Bezel, Dispenser	G105910-022	1
8	Label Taken Sensor PCBA	G105910-013	3
9	Rubber Foot Kit	105910-007	24
10	Main Control PCBA, Par./RS-232/USB, Full Memory, Cutter compatible	G105910-050	1
10	Main Control PCBA, Ethernet ready/RS-232/USB, Full Mem, Cutter compatible	G105910-122	1
10	Kit, Ethernet IO PCBA with cables	G105910-121	1
10	Kit, PrintServerII Daughter Board	G105910-123	1
10	Kit, 4 Ethernet Back Panel	G105910-124	1
10	Real Time Clock / Date I.C.	G105950-026	1
11	Bottom Frame Assy.	G105910-071	1
12	Cover Hinge	G105910-074	10
13	Upper Cover Assy.	G105910-060	1
14	Ribbon Out Sensor	G105910-067	3

**TLP 2844 Parts Catalog**

Item Number	Description	Part Number	Kit Quantity
	Ribbon Carriage w/o Printhead	G105910-061	1
	Motor, Assy.	G105910-051	2
	Power Supply, 100V-240V (C5) with US & Euro Cords (200dpi)	105950-060	1
	Power Supply, 100V-240V (C5) with UK & EUR Cords (200dpi)	105950-076	1
	Power Cord, U.S. 120V, IEC320C5	105950-061	5
	Power Cord, Euro 220V, IEC320C5	105950-062	5
	Power Cord, U.K. 240V, IEC320C5	105950-063	5
	Power Cord, Australia 240V, IEC320C5	105950-064	5
	Power Cord, China 220V, IEC320C5	105950-065	5
	Power Cord, Argentina 220V, IEC320C5	105950-066	5
	Power Cord, Japan 125V, IEC320C5	105950-077	5
	Cutter Replacement Kit	G105910-028	1
	Ribbon Core, 4 thermal transfer	105903-053	50
	Shipping Pack	105950-050	1
	CD-ROM, EPL Desktop Printers Software & Documentation	105950-028	1
	CD-ROM, Service Documentation	105950-051	1