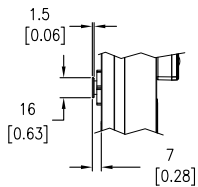
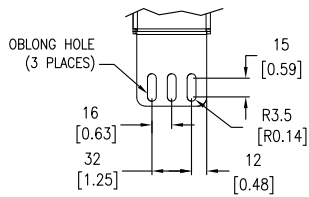


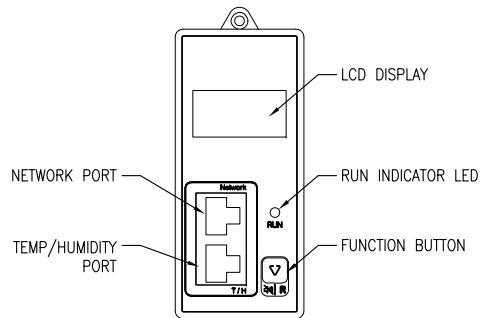
**DETAIL A**  
IEC 309 16A,  
200-240VAC,  
L+N+PE PLUG  
ENLARGED VIEW



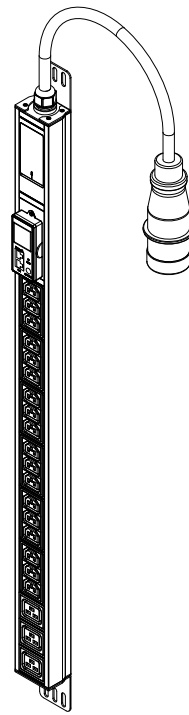
**DETAIL B**  
PEG TOOL LESS MOUNTING  
ENLARGED VIEW



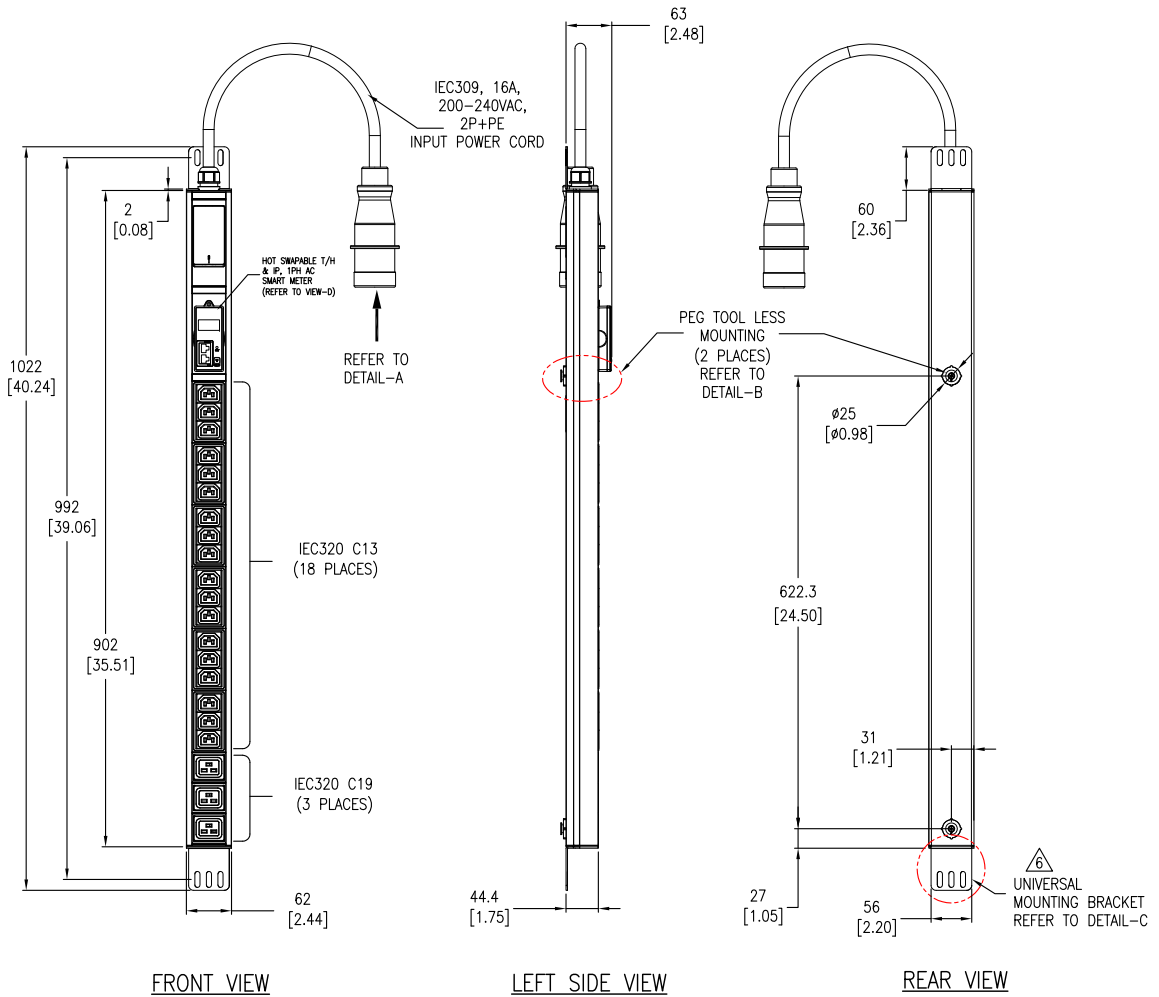
**DETAIL C**  
UNIVERSAL MOUNTING BRACKET  
ENLARGED VIEW



**DETAIL D**  
ENLARGED SMART METER



ISOMETRIC VIEW



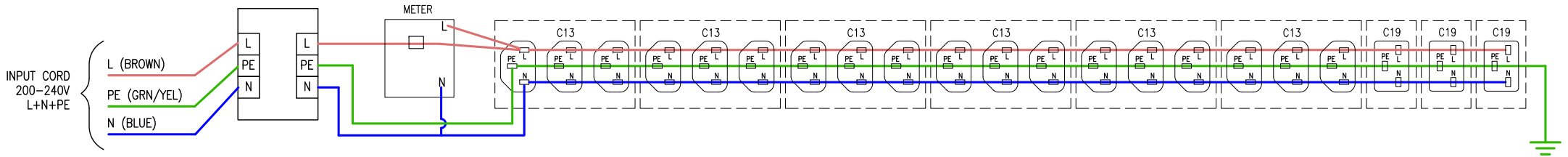
**NOTES:**

1. INSTALLATION SHALL COMPLY WITH ALL APPLICABLE NATIONAL, STATE AND LOCAL ELECTRICAL CODES.
2. REFER TO PRODUCT DOCUMENTATION FOR ADDITIONAL DETAILS PRIOR TO INSTALLATION AND PREPARATION WORK.
3. UNLESS OTHERWISE SPECIFIED, ALL DIMENSIONS ARE IN MILLIMETERS [INCHES].
4. NET WEIGHT OF UNIT IS 2.5kg [5.51 lb].
5. LENGTH OF THE CORD IS 3000mm [118 Inches].
- △ 6. UNIVERSAL MOUNTING BRACKET IS AN ALTERNATIVE MOUNTING METHOD TO THE TOOL LESS MOUNT FOR 3RD PARTY ENCLOSURES. BRACKET IS PROVIDED WITH THE UNIT.
7. REFER TO WARNING LABEL ON REAR OF UNIT FOR SCREW MOUNTING.

THIS DRAWING AND SPECIFICATIONS HEREIN ARE THE PROPERTY OF SCHNEIDER ELECTRIC AND SHALL NOT BE COPIED, REPRODUCED OR USED IN WHOLE OR IN PART, AS THE BASIS FOR THE MANUFACTURE OR SALE OF ITEMS WITHOUT WRITTEN PERMISSION FROM SCHNEIDER ELECTRIC. THIS DRAWING IS BASED UPON LATEST AVAILABLE INFORMATION AND IS SUBJECT TO CHANGE WITHOUT NOTICE.



TITLE:	Easy PDU, Metered ZERO U, 16A, 230V INPUT: IEC309, L+N+PE OUTPUT: (18)IEC320 C13 & (3)IEC320 C19 GENERAL ARRANGEMENT	DWG NO:	EPDU1116M	REV:	1
PROJECT:	SUBMITTAL DRAWING	DRAWN:	JAYAPRAKASH	08-NOV-19	FIRST ANGLE
SHEET	1 OF 2	ENGINEER:	Troy LIU	08-NOV-19	PROJECTION
		APPROVED:	Tong XU	08-NOV-19	



**NOTES:**

1. INSTALLATION SHALL COMPLY WITH ALL APPLICABLE NATIONAL, STATE AND LOCAL ELECTRICAL CODES.
2. REFER TO PRODUCT DOCUMENTATION FOR ADDITIONAL DETAILS PRIOR TO INSTALLATION AND PREPARATION WORK.
3. THIS DRAWING DEPICTS THE POWER SYSTEM CONNECTIONS AND IS NOT REPRESENTATIVE OF THE PHYSICAL LAYOUT. PLEASE REFER TO MECHANICAL DRAWINGS FOR PHYSICAL LAYOUT.

THIS DRAWING AND SPECIFICATIONS HEREIN ARE THE PROPERTY OF SCHNEIDER ELECTRIC AND SHALL NOT BE COPIED, REPRODUCED OR USED IN WHOLE OR IN PART, AS THE BASIS FOR THE MANUFACTURE OR SALE OF ITEMS WITHOUT WRITTEN PERMISSION FROM SCHNEIDER ELECTRIC. THIS DRAWING IS BASED UPON LATEST AVAILABLE INFORMATION AND IS SUBJECT TO CHANGE WITHOUT NOTICE.



TITLE: Easy PDU, Metered  
ZERO U, 16A, 230V  
INPUT: IEC309, L+N+PE  
OUTPUT: (18)IEC320 C13 & (3)IEC320 C19  
SCHEMATIC DIAGRAM

DWG NO:	EPDU1116M		REV.	0
DRAWN:	JAYAPRAKASH	04-NOV-19	FIRST	ANGLE
ENGINEER:	Troy LIU	05-NOV-19		
APPROVED:	Tong XU	05-NOV-19		PROJECTION

PROJECT: SUBMITTAL DRAWING SHEET 2 OF 2