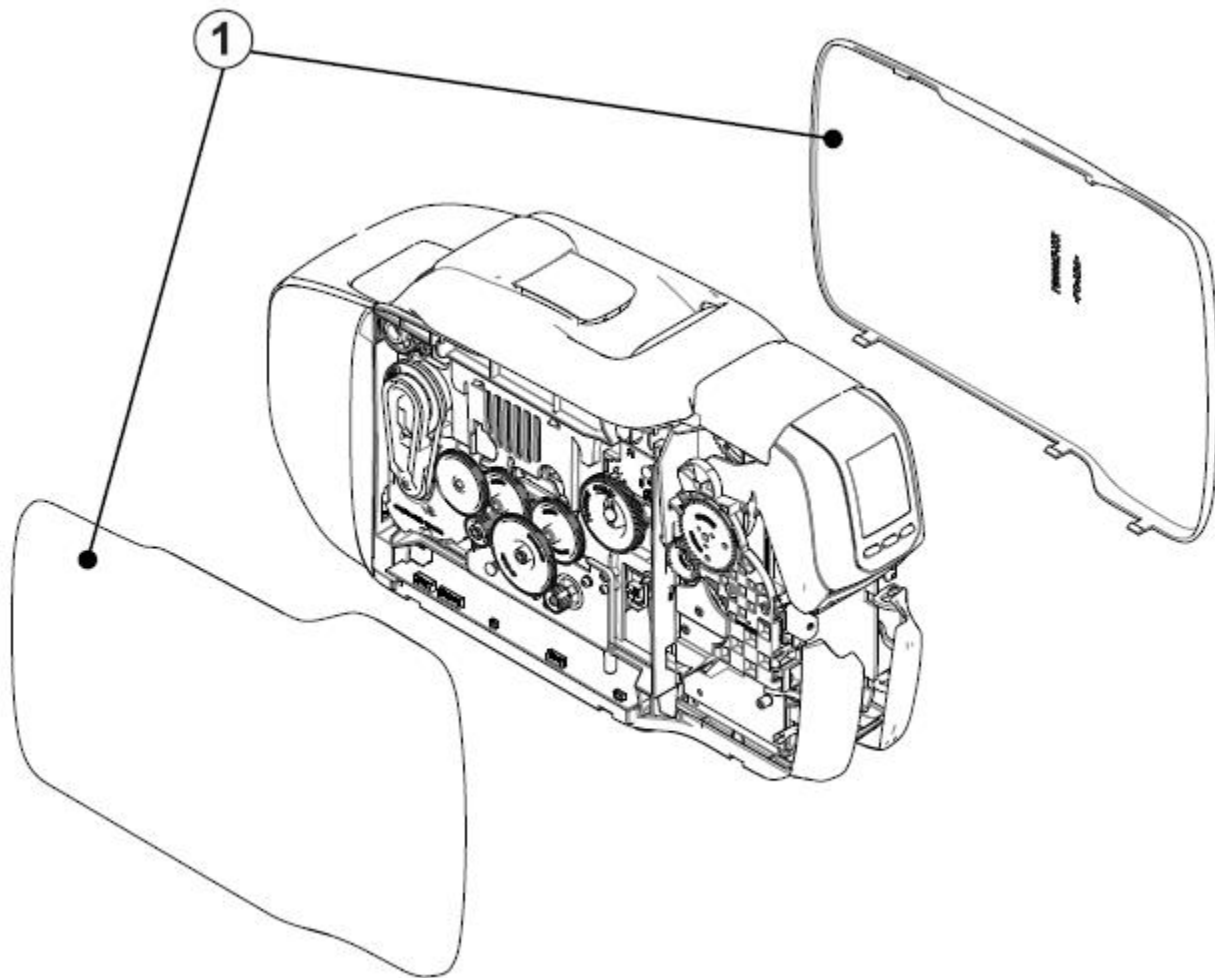
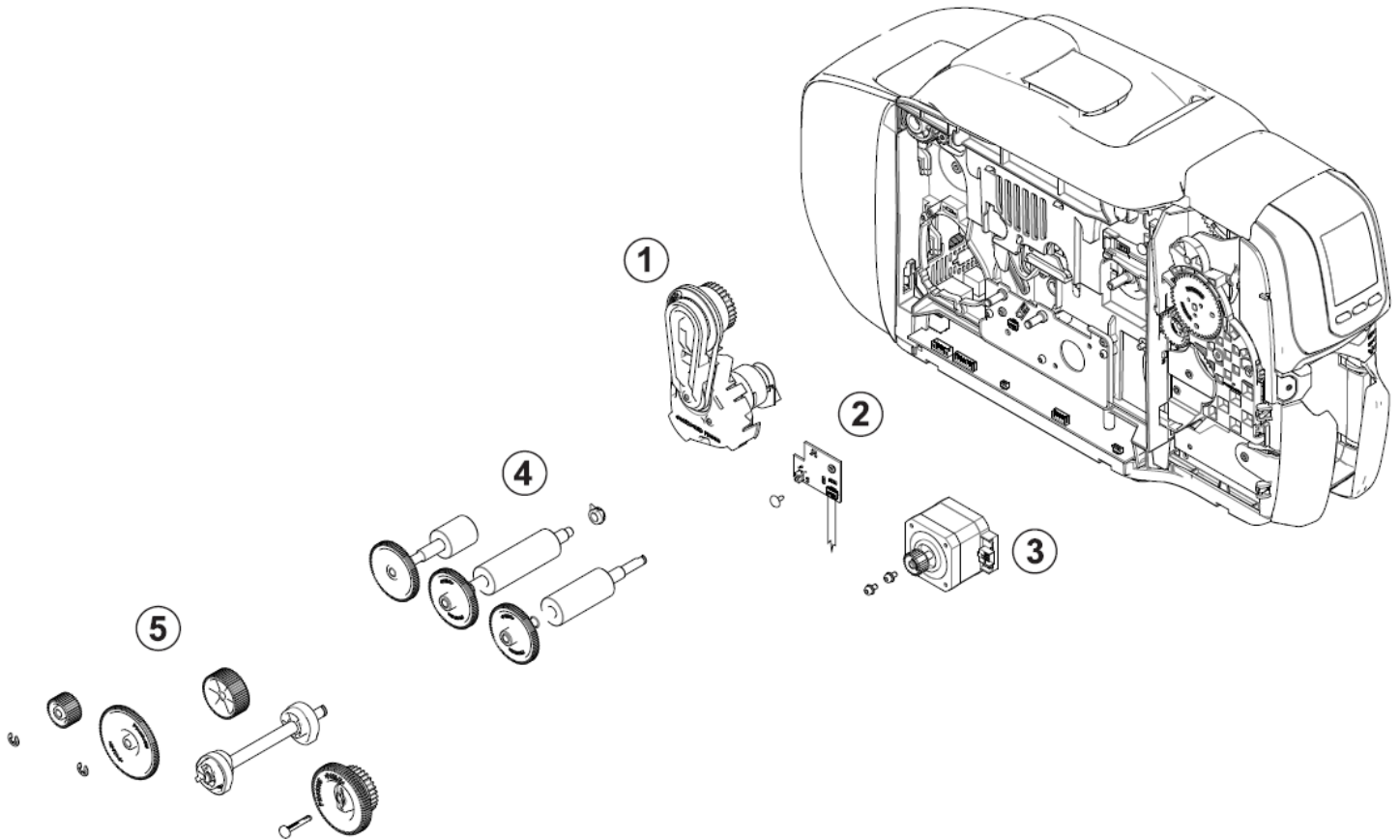




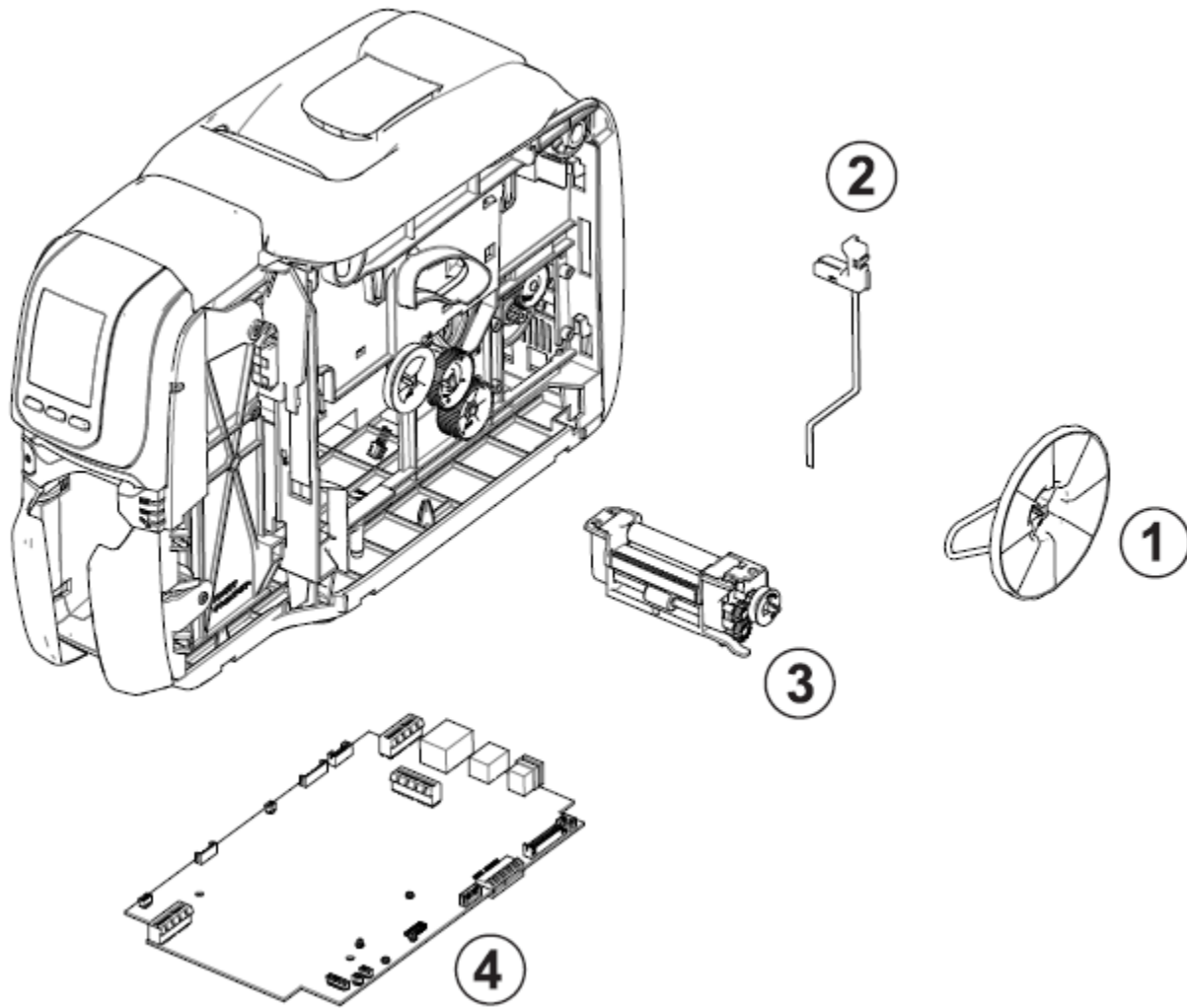
Zebra[®] ZC100 Series / ZC300 Series Spare Parts Catalog



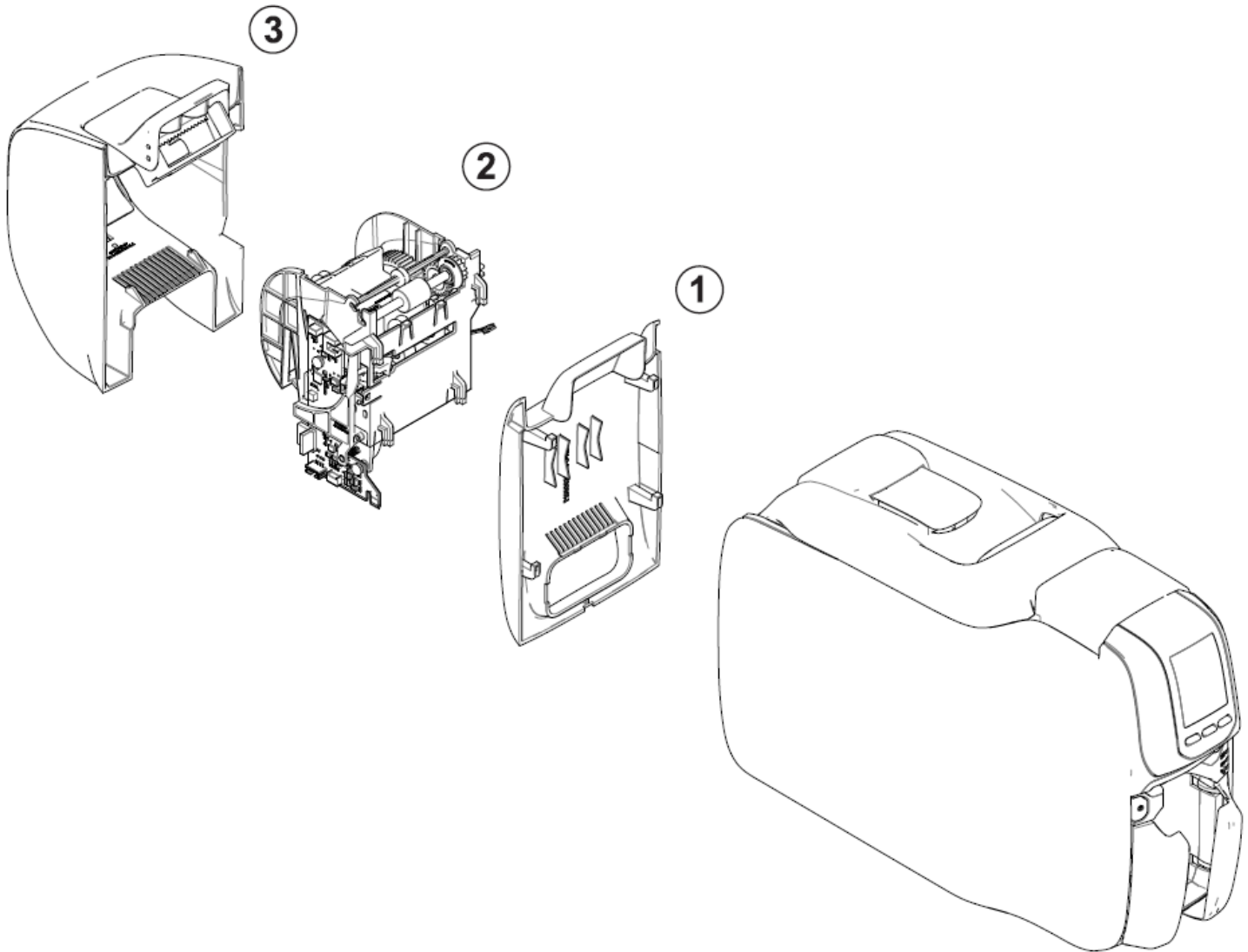
| Item Number | Description | Part Number | Kit Quantity |
|-------------|---|--------------|--------------|
| 1 | Kit, Printer Side Panels, ZC100 (White) | P1094879-021 | 1 |
| | Kit, Printer Side Panels, ZC300 (Grey) | P1094879-022 | 1 |
| | Kit, Printer Side Panels, ZC350 (Black) | P1094879-023 | 1 |



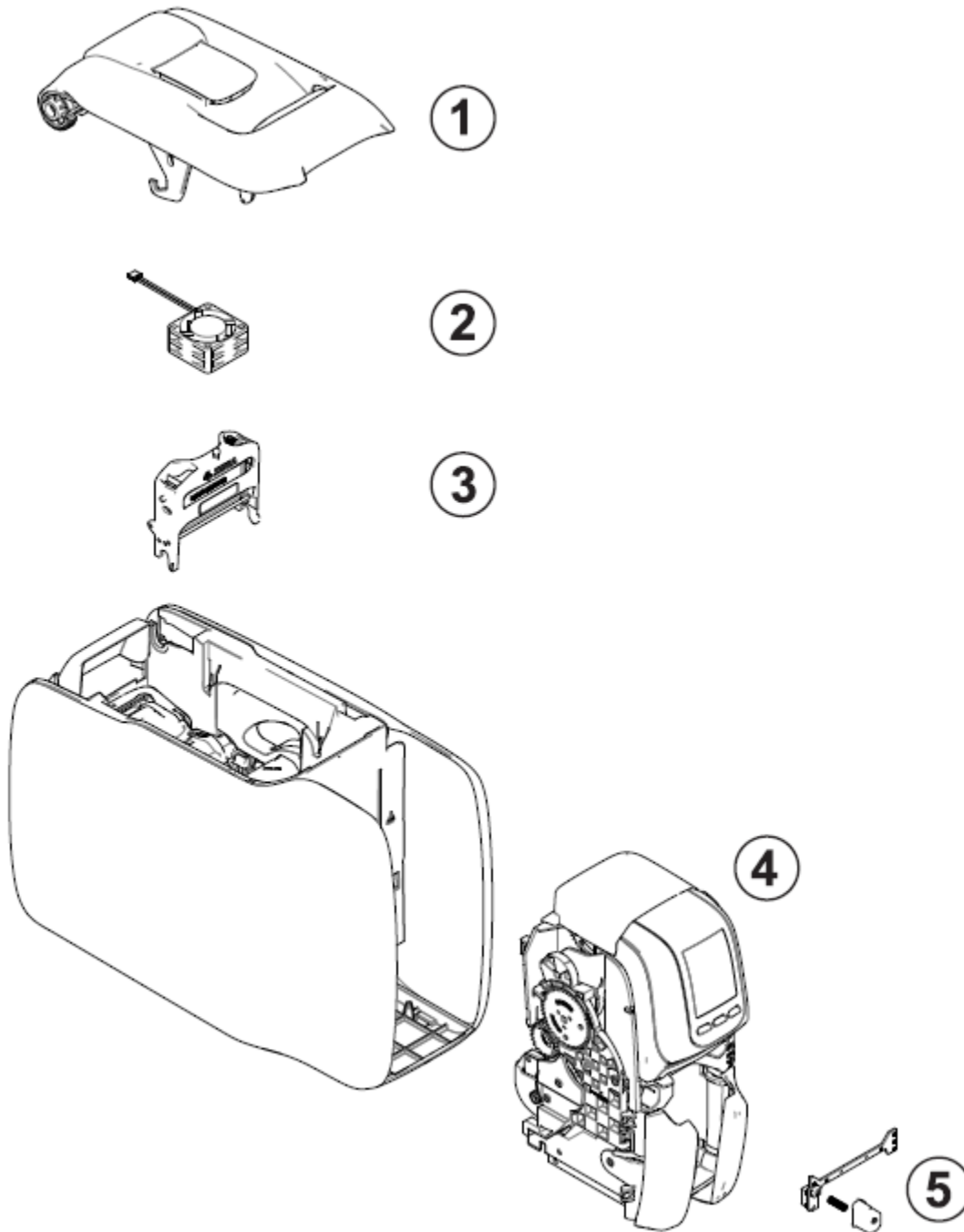
| Item Number | Description | Part Number | Kit Quantity |
|-------------|------------------------------------|--------------|--------------|
| 1 | Kit, Ribbon Take-Up Drive Assembly | P1094879-034 | 1 |
| 2 | Kit, Tri Sensor PCBA | P1094879-036 | 1 |
| 3 | Kit, Platen Drive Motor | P1094879-039 | 1 |
| 4 | Kit, Platen Rollers | P1094879-043 | 1 |
| 5 | Kit, Cam and Gears | P1094879-041 | 1 |



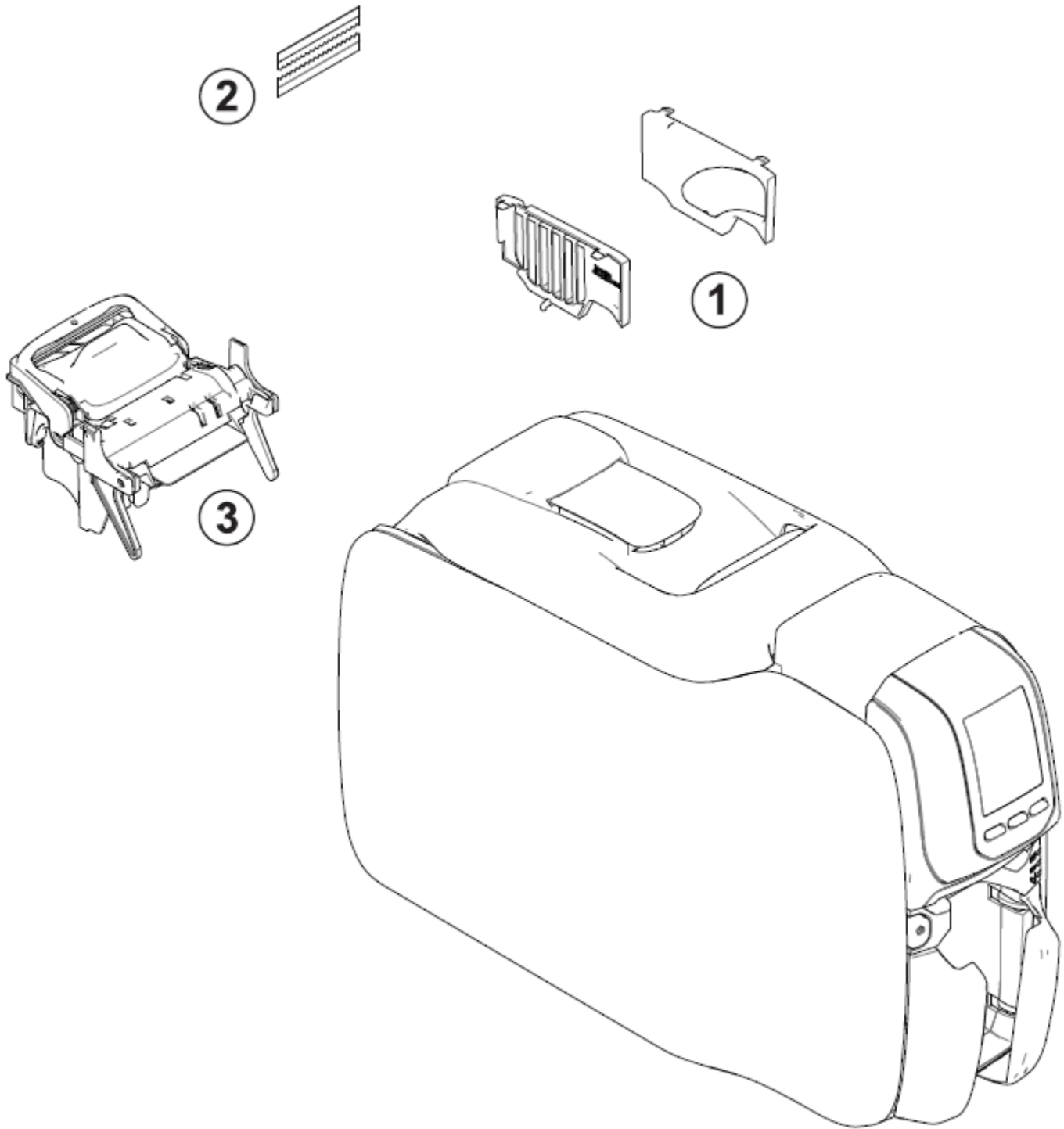
| Item Number | Description | Part Number | Kit Quantity |
|-------------|-------------------------------------|--------------|--------------|
| 1 | Kit, Manual Advance Wheel with Belt | P1094879-033 | 1 |
| Not Shown | Kit, Drive Belts (Qty 2) | P1094879-032 | 2 |
| 2 | Kit, Card Entry Sensor | P1094879-029 | 1 |
| 3 | Kit, Card Entry/Exit Module | P1094879-035 | 1 |
| 4 | Kit, Main Logic Board ZC100 | P1094879-049 | 1 |
| | Kit, Main Logic Board ZC150 | P1094879-050 | 1 |
| | Kit, Main Logic Board ZC300 | P1094879-051 | 1 |
| | Kit, Main Logic Board ZC350 | P1094879-052 | 1 |



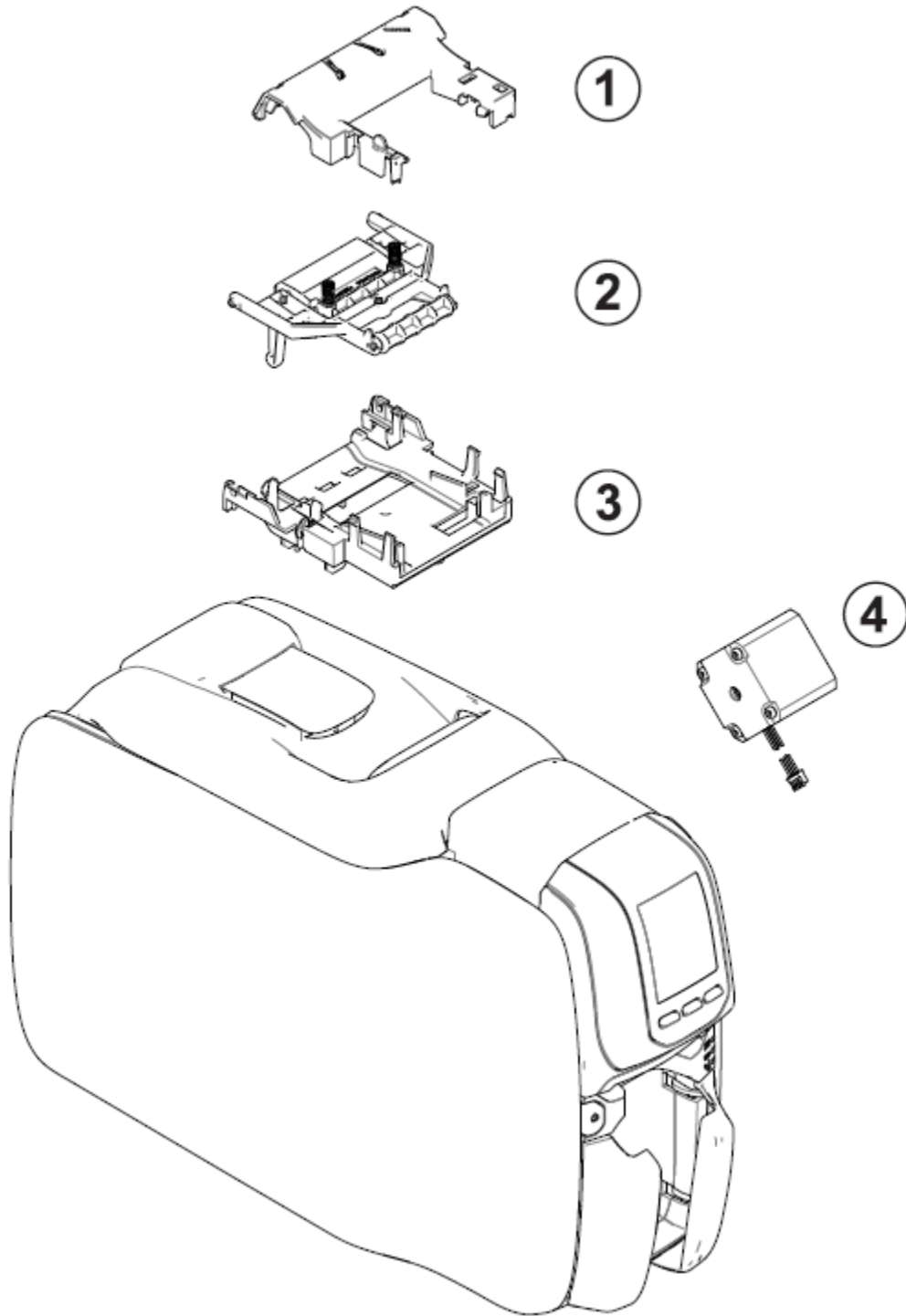
| Item Number | Description | Part Number | Kit Quantity |
|-------------|-------------------------------|--------------|--------------|
| 1 | Kit, Rear Panel, Single Sided | P1094879-060 | 1 |
| 2 | Kit, Flipper Assembly | P1094879-025 | 1 |
| 3 | Kit, Flipper Enclosures | P1094879-024 | 1 |



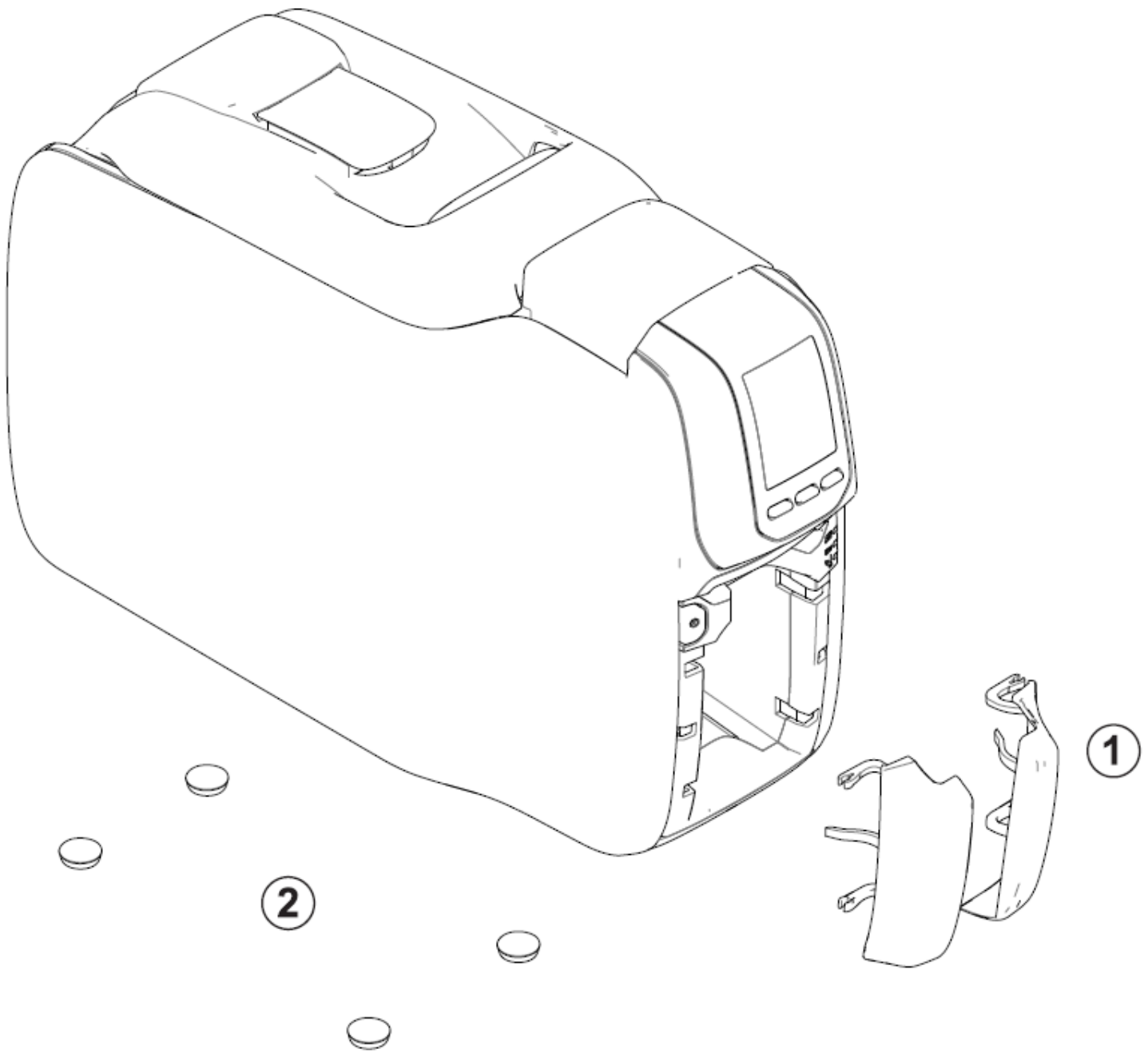
| Item Number | Description | Part Number | Kit Quantity |
|-------------|----------------------------------|--------------|--------------|
| 1 | Kit, Top Cover Assembly | P1094879-030 | 1 |
| 2 | Kit, Printhead Fan Assembly | P1094879-031 | 1 |
| 3 | Kit, Printhead Assembly | P1094879-020 | 1 |
| 4 | Kit, Feeder Assembly with LCD | P1094879-053 | 1 |
| | Kit, Feeder Assembly without LCD | P1094879-054 | 1 |
| 5 | Kit, LED PCBA | P1094879-055 | 1 |



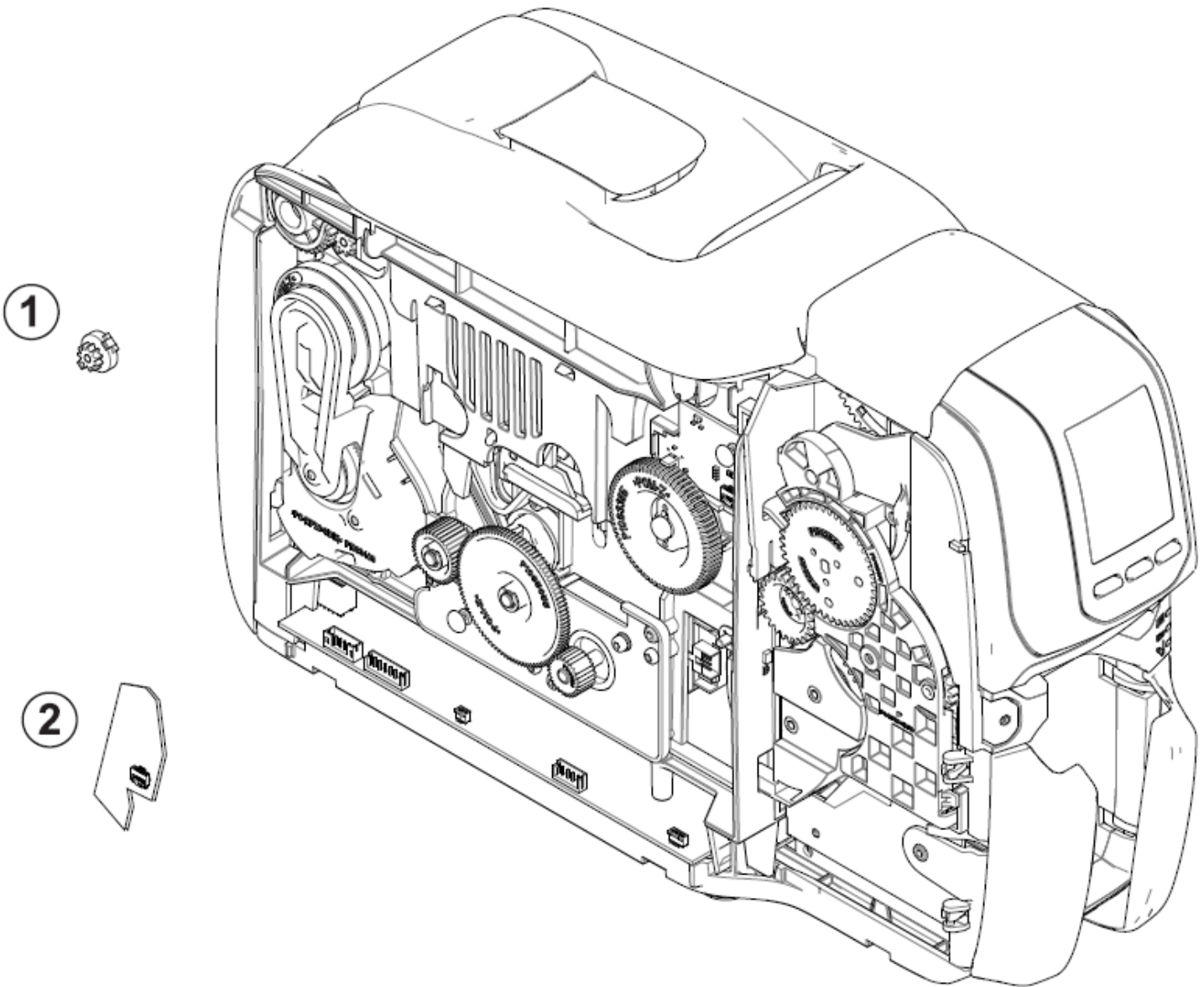
| Item Number | Description | Part Number | Kit Quantity |
|-------------|--------------------------------------|--------------|--------------|
| 1 | Kit, Filler Panels | P1094879-026 | 1 |
| 2 | Kit, Static Brush (Qty 10) | P1094879-044 | 10 |
| 3 | Kit, Rear Deck Assembly, No Encoders | P1094879-056 | 1 |



| Item Number | Description | Part Number | Kit Quantity |
|-------------|------------------------------------|--------------|--------------|
| 1 | Kit, Ribbon Detect Sensor Assembly | P1094879-057 | 1 |
| 2 | Kit, Nip Roller Assembly | P1094879-028 | 1 |
| 3 | Kit, Front Deck | P1094879-042 | 1 |
| 4 | Kit, Lift Cam Motor | P1094879-038 | 1 |



| Item Number | Description | Part Number | Kit Quantity |
|-------------|--------------------------|--------------|--------------|
| 1 | Kit, Output Hopper Doors | P1094879-027 | 1 |
| 2 | Kit, Feet (Qty 12) | P1094879-059 | 12 |



| Item Number | Description | Part Number | Kit Quantity |
|-------------|-------------------------------|--------------|--------------|
| 1 | Kit, Top Cover Damper (Qty 5) | P1094879-040 | 5 |
| 2 | Kit, Cam Position Sensor | P1094879-037 | 1 |

Misc. Items

| Item Number | Description | Part Number | Kit Quantity |
|-------------|-------------------------------------|--------------|--------------|
| Not Shown | Kit, Power Supply | P1094879-045 | 1 |
| Not Shown | Kit, Hardware, Fasteners and Screws | P1094879-046 | 1 |
| Not Shown | Kit, Packaging Standard | P1094879-047 | 1 |
| Not Shown | Kit, Fabric Packaging Bag (Qty 3) | P1094879-061 | 3 |
| Not Shown | Kit, Printhead Cable Assembly | P1094879-058 | 1 |

Upgrade Kits

| Item Number | Description | Part Number | Kit Quantity |
|-------------|--|--------------|--------------|
| Not Shown | Kit, Upgrade Mag Encoder | P1094879-002 | 1 |
| Not Shown | Kit, Upgrade MiFare Contact Encoder | P1094879-003 | 1 |
| Not Shown | Kit, Upgrade Contact Station | P1094879-004 | 1 |
| Not Shown | Kit, Upgrade Mifare Prox iClass Contact Encoder | P1094879-009 | 1 |
| Not Shown | Kit, Upgrade Dual-Sided | P1094879-010 | 1 |
| Not Shown | Kit, Upgrade ZIP Encoder | P1094879-011 | 1 |
| Not Shown | Kit, Upgrade Printer Lock | P1094879-012 | 1 |
| Not Shown | Kit, Upgrade Mag Encoder and MiFare Contact Encoder | P1094879-013 | 1 |
| Not Shown | Kit, Upgrade Mag Encoder and Contact Station | P1094879-014 | 1 |
| Not Shown | Kit, Upgrade Mag Encoder and Mifare Prox iClass Contact Encoder | P1094879-015 | 1 |
| Not Shown | Kit, Upgrade MiFare Contact Encoder (for Printers with Existing Mag) | P1094879-062 | 1 |