



ROG  
SWIFT OLED  
PG34WCDM

USER GUIDE

ASUS

**Copyright © 2023 ASUSTeK COMPUTER INC. All Rights Reserved.**

No part of this manual, including the products and software described in it, may be reproduced, transmitted, transcribed, stored in a retrieval system, or translated into any language in any form or by any means, except documentation kept by the purchaser for backup purposes, without the express written permission of ASUSTeK COMPUTER INC. ("ASUS").

Product warranty or service will not be extended if: (1) the product is repaired, modified or altered, unless such repair, modification or alteration is authorized in writing by ASUS; or (2) the serial number of the product is defaced or missing.

ASUS PROVIDES THIS MANUAL "AS IS" WITHOUT WARRANTY OF ANY KIND, EITHER EXPRESS OR IMPLIED, INCLUDING BUT NOT LIMITED TO THE IMPLIED WARRANTIES OR CONDITIONS OF MERCHANTABILITY OR FITNESS FOR A PARTICULAR PURPOSE. IN NO EVENT SHALL ASUS, ITS DIRECTORS, OFFICERS, EMPLOYEES OR AGENTS BE LIABLE FOR ANY INDIRECT, SPECIAL, INCIDENTAL, OR CONSEQUENTIAL DAMAGES (INCLUDING DAMAGES FOR LOSS OF PROFITS, LOSS OF BUSINESS, LOSS OF USE OR DATA, INTERRUPTION OF BUSINESS AND THE LIKE), EVEN IF ASUS HAS BEEN ADVISED OF THE POSSIBILITY OF SUCH DAMAGES ARISING FROM ANY DEFECT OR ERROR IN THIS MANUAL OR PRODUCT.

SPECIFICATIONS AND INFORMATION CONTAINED IN THIS MANUAL ARE FURNISHED FOR INFORMATIONAL USE ONLY, AND ARE SUBJECT TO CHANGE AT ANY TIME WITHOUT NOTICE AND SHOULD NOT BE CONSTRUED AS A COMMITMENT BY ASUS. ASUS ASSUMES NO RESPONSIBILITY OR LIABILITY FOR ANY ERRORS OR INACCURACIES THAT MAY APPEAR IN THIS MANUAL, INCLUDING THE PRODUCTS AND SOFTWARE DESCRIBED IN IT.

Products and corporate names appearing in this manual may or may not be registered trademarks or copyrights of their respective companies, and are used only for identification or explanation and to the owners' benefit, without intent to infringe.

# Table of Contents

<b>Notices .....</b>	<b>iv</b>
<b>Safety information.....</b>	<b>v</b>
<b>Care &amp; Cleaning .....</b>	<b>viii</b>
<b>1.1 Welcome!.....</b>	<b>1- 1</b>
<b>1.2 Package Contents.....</b>	<b>1- 1</b>
<b>1.3 Assembling the Monitor .....</b>	<b>1-2</b>
<b>1.4 Connect Cables.....</b>	<b>1-5</b>
<b>1.4.1 Rear of the OLED Monitor .....</b>	<b>1-5</b>
<b>1.5 Monitor Introduction.....</b>	<b>1-6</b>
<b>1.5.1 Using the Control Buttons .....</b>	<b>1-6</b>
<b>1.5.2 GamePlus Function.....</b>	<b>1-8</b>
<b>1.5.3 GameVisual Function.....</b>	<b>1-10</b>
<b>2.1 Detaching the Stand (for VESA Wall Mount) .....</b>	<b>2- 1</b>
<b>2.2 Adjusting the Monitor .....</b>	<b>2-2</b>
<b>3.1 OSD (On-Screen Display) Menu.....</b>	<b>3- 1</b>
<b>3.1.1 How to Reconfigure .....</b>	<b>3-1</b>
<b>3.1.2 OSD Function Introduction.....</b>	<b>3-2</b>
<b>3.2 Aura Sync.....</b>	<b>3- 15</b>
<b>3.3 Specifications.....</b>	<b>3- 16</b>
<b>3.3 Outline Dimensions.....</b>	<b>3- 17</b>
<b>3.4 Troubleshooting (FAQ) .....</b>	<b>3- 18</b>
<b>3.5 Supported Timing List.....</b>	<b>3- 19</b>

# Notices

## Federal Communications Commission Statement

This device complies with Part 15 of the FCC Rules. Operation is subject to the following two conditions:

- This device may not cause harmful interference.
- This device must accept any interference received including interference that may cause undesired operation.

This equipment has been tested and found to comply with the limits for a Class B digital device, pursuant to Part 15 of the FCC Rules. These limits are designed to provide reasonable protection against harmful interference in a residential installation. This equipment generates, uses and can radiate radio frequency energy and, if not installed and used in accordance with the instructions, may cause harmful interference to radio communications. However, there is no guarantee that interference will not occur in a particular installation. If this equipment does cause harmful interference to radio or television reception, which can be determined by turning the equipment off and on, the user is encouraged to try to correct the interference by one or more of the following measures:

- Reorient or relocate the receiving antenna.
- Increase the separation between the equipment and receiver.
- Connect the equipment to an outlet on a circuit different from that to which the receiver is connected.
- Consult the dealer or an experienced radio/TV technician for help.



**WARNING:** The use of shielded cables for connection of the monitor to the graphics card is required to assure compliance with FCC regulations. Changes or modifications to this unit not expressly approved by the party responsible for compliance could void the user's authority to operate this equipment.

# Canadian Department of Communications Statement

This digital apparatus does not exceed the Class B limits for radio noise emissions from digital apparatus set out in the Radio Interference Regulations of the Canadian Department of Communications.

This class B digital apparatus complies with Canadian ICES-003.

This Class B digital apparatus meets all requirements of the Canadian Interference-Causing Equipment Regulations.

Cet appareil numérique de la classe B respecte toutes les exigences du Règlement sur le matériel brouiller du Canada.

## Safety information

- Before setting up the monitor, carefully read all the documentation that came with the package.
- To prevent fire or shock hazard, never expose the monitor to rain or moisture.
- Never try to open the monitor cabinet. The dangerous high voltages inside the monitor may result in serious physical injury.
- If the power supply is broken, do not try to fix it by yourself. Contact a qualified service technician or your retailer.
- Before using the product, make sure all cables are correctly connected and the power cables are not damaged. If you detect any damage, contact your dealer immediately.
- Slots and openings on the back or top of the cabinet are provided for ventilation. Do not block these slots. Never place this product near or over a radiator or heat source unless proper ventilation is provided.
- The monitor should be operated only from the type of power source indicated on the label. If you are not sure of the type of power supply to your home, consult your dealer or local power company.
- Use the appropriate power plug which complies with your local power standard.

- Do not overload power strips and extension cords. Overloading can result in fire or electric shock.
- Avoid dust, humidity, and temperature extremes. Do not place the monitor in any area where it may become wet. Place the monitor on a stable surface.
- Unplug the unit during a lightning storm or if it will not be used for a long period of time. This will protect the monitor from damage due to power surges.
- Never push objects or spill liquid of any kind into the slots on the monitor cabinet.
- To ensure satisfactory operation, use the monitor only with UL listed computers which have appropriate configured receptacles marked between 100 ~ 240V AC.
- The socket-outlet shall be installed near the equipment and shall be easily accessible.
- If you encounter technical problems with the monitor, contact a qualified servicer.
- Provide an earthing connection before the mains plug is connected to the mains. And, when disconnecting the earthing connection, be sure to disconnect after pulling out the mains plug from the mains.
- Please use ADP-280EB BC adapter.
- If provided with a 3-pin attachment plug on the power cord, plug the cord into a grounded (earthed) 3-pin outlet. Do not disable the power cord grounding pin, for example, by attaching a 2-pin adapter. The grounding pin is an important safety feature.

## **Stability Hazard**

- The product may fall, causing serious personal injury or death. To prevent injury, this product must be securely attached to the floor/wall in accordance with the installation instructions.
- A product may fall, causing serious personal injury or death. Many injuries, particularly to children, can be avoided by taking simple precautions such as:
- ALWAYS use cabinets or stands or installation methods recommended by the manufacturer of the product set.

- ALWAYS use furniture that can safely support the product.
- ALWAYS ensure the product is not overhanging the edge of the supporting furniture.
- ALWAYS educate children about the dangers of climbing on furniture to reach the product or its controls.
- ALWAYS route cords and cables connected to your product so they cannot be tripped over, pulled or grabbed.
- NEVER place a product in an unstable location.
- NEVER place the product on tall furniture (for example, cupboards or bookcases) without anchoring both the furniture and the product to a suitable support.
- NEVER place the product on cloth or other materials that may be located between the product and supporting furniture.
- NEVER place items that might tempt children to climb, such as toys and remote controls, on the top of the product or furniture on which the product is placed.
- If the existing product is going to be retained and relocated, the same considerations as above should be applied.



**WARNING:** Usage of other than specified head- or earphones can result in hearing loss due to excessive sound pressures.

## **Restriction on Hazardous Substances statement (India)**

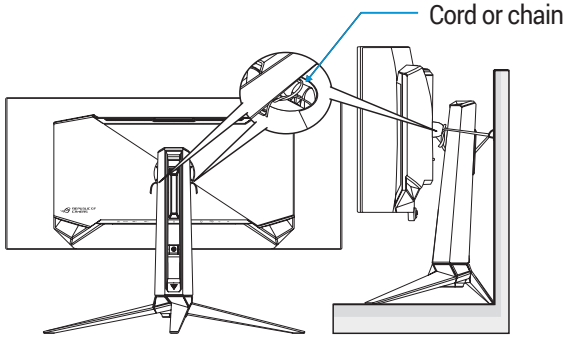
This product complies with the “India E-Waste (Management) Rules, 2016” and prohibits use of Lead, Mercury, Hexavalent Chromium, polybrominated biphenyls(PBBs) and polybrominated diphenyl ethers(PBDEs) in concentration exceeding 0.1% by weight in homogenous materials and 0.01% by weight in homogenous materials for cadmium, except of exemptions listed in Schedule 2 of the Rule.

**HDMI**  
HIGH-DEFINITION MULTIMEDIA INTERFACE

**EAC**

## Prevent Tipping

When using the display, fasten the OLED to a wall using a cord or chain that can support the weight of the monitor in order to prevent the monitor from falling.



- Display design may differ from those illustrated.
- Installing must be done by a qualified technician , and please contact your supplier for more information.
- For the Models with net weight  $\geq 7\text{kg}$ . Please select the suitable way to Prevent Tipping.
- Please use the method discribed in the above image to tie the cord or chain to the stand and then fix it to the wall.

## Care & Cleaning

- Before you lift or reposition your monitor, it is better to disconnect the cables and power cord. Follow the correct lifting techniques when positioning the monitor. When lifting or carrying the monitor, grasp the edges of the monitor. Do not lift the display by the stand or the cord.
- Cleaning. Turn your monitor off and unplug the power cord. Clean the monitor surface with a lint-free, non-abrasive cloth. Stubborn stains may be removed with a cloth dampened with mild cleaner.
- Avoid using a cleaner containing alcohol or acetone. Use a cleaner intended for use with the OLED. Never spray cleaner directly on the screen, as it may drip inside the monitor and cause an electric shock.





---

This symbol of the crossed out wheeled bin indicates that the product (electrical, electronic equipment, and mercury-containing button cell battery) should not be placed in municipal waste.

Please check local regulations for disposal of electronic products.

---

## AEEE yönetmeliğine uygundur

### The following symptoms are normal with the monitor:

- The screen may flicker during the initial use due to the nature of the fluorescent light. Turn off the Power Switch and turn it on again to make sure that the flicker disappears.
- You may find slightly uneven brightness on the screen depending on the desktop pattern you use.
- When the same image is displayed for hours, an afterimage of the previous screen may remain after switching the image. The screen will recover slowly or you can turn off the Power Switch for hours.
- When the screen becomes black or flashes, or cannot work anymore, contact your dealer or service center to fix it. Do not repair the screen by yourself!

### Conventions used in this guide



**WARNING:** Information to prevent injury to yourself when trying to complete a task.



**CAUTION:** Information to prevent damage to the components when trying to complete a task.



**IMPORTANT:** Information that you **MUST** follow to complete a task.



**NOTE:** Tips and additional information to aid in completing a task.

# Where to find more information

Refer to the following sources for additional information and for product and software updates.

**1. ASUS websites**

The ASUS websites worldwide provide updated information on ASUS hardware and software products. Refer to <http://www.asus.com>

**2. Optional documentation**

Your product package may include optional documentation that may have been added by your dealer. These documents are not part of the standard package.

**3. About Flicker**

[https://www.asus.com/Microsite/display/eye\\_care\\_technology/](https://www.asus.com/Microsite/display/eye_care_technology/)

# 1.1 Welcome!

Thank you for purchasing the ASUS® OLED monitor!

The latest widescreen OLED monitor from ASUS provides a crisper, broader, and brighter display, plus a host of features that enhance your viewing experience.

With these features, you can enjoy the convenience and delightful visual experience that the monitor brings to you!

# 1.2 Package Contents

Check your package for the following items:

- ✓ OLED Monitor
- ✓ Monitor Stand
- ✓ Monitor Base
- ✓ Changeable Films
- ✓ LED Projection Cover
- ✓ Quick Start Guide
- ✓ Warranty Card
- ✓ 1x Power Cord
- ✓ 1x HDMI Cable
- ✓ 1x DP Cable
- ✓ 1x USB Type-C Cable
- ✓ 1x USB Cable
- ✓ 1x Power Adapter
- ✓ 1x ROG wall mount kit
- ✓ 1 x ROG Pouch
- ✓ ROG Sticker
- ✓ Color calibration testing report



- 
- If any of the above items is damaged or missing, contact your retailer immediately.

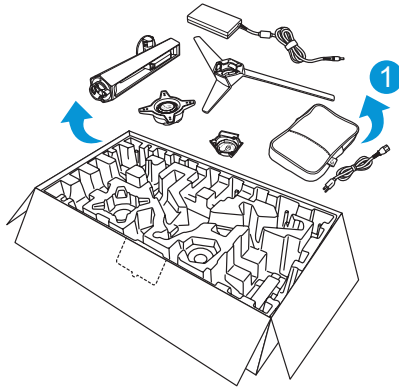
# 1.3 Assembling the Monitor

To assemble the monitor:

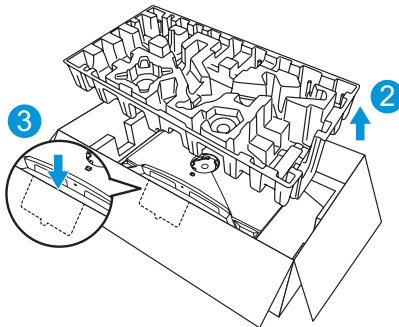


- While assembling the monitor stand/base, we recommend that you keep the monitor inside its EPS (Expanded Polystyrene) packaging.

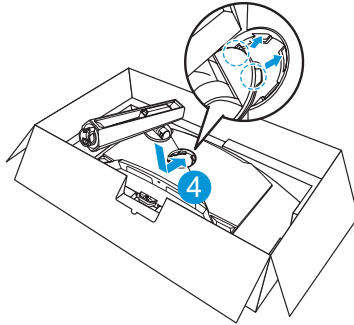
1. Take out all accessories from the molded pulp.



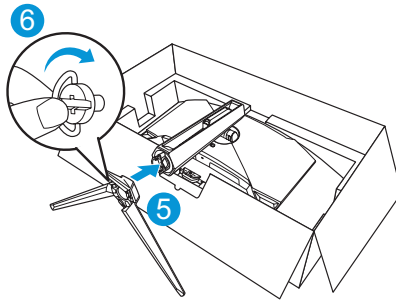
2. Take out the molded pulp.
3. Push open stand assembly hole.



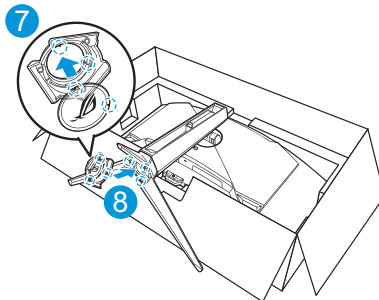
4. Align and install the stand to its compartment on the rear of the monitor.



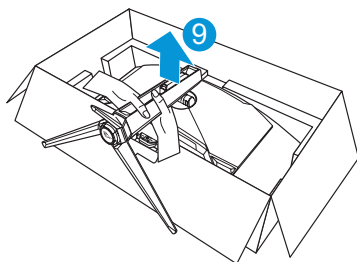
5. Align and install the base to the stand.
6. Fix the base to the stand by fastening the bundled screw.



7. Place the changeable film into the LED projection cover.
8. By aligning with the magnetic pads, install the LED projection cover to the stand.



9. Remove the monitor from the bottom EPS.

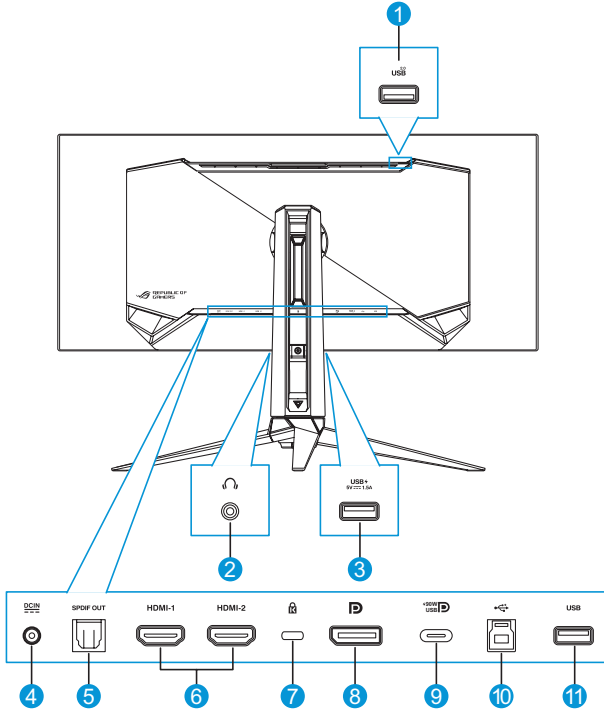


- 
- Please do not hold the panel. We recommend hold the monitor stand to pick up monitor.
  - Base screw size is M5 x 25 mm.
- 

Adjust the monitor to the angle that is most comfortable for you.

# 1.4 Connect Cables

## 1.4.1 Rear of the OLED Monitor

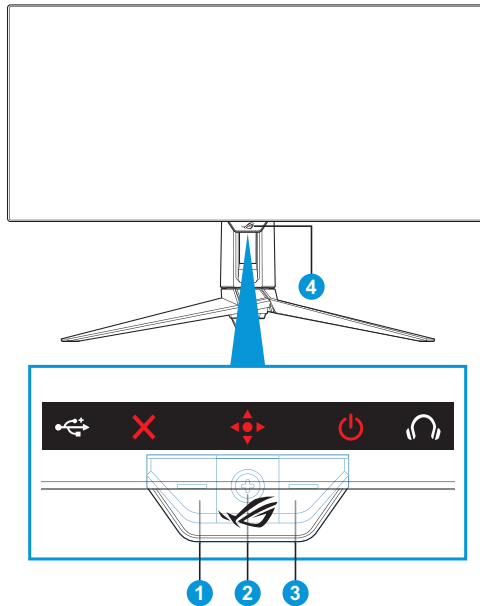


1. USB Type-A Port
2. Earphone Jack
3. USB Type-A Port
4. DC-IN Port
5. SPDIF Out Port
6. HDMI-1/ HDMI-2 Ports
7. Kensington Lock
8. DisplayPort
9. USB Type-C Port
10. USB Type-B Port
11. USB Type-A Port

# 1.5 Monitor Introduction

## 1.5.1 Using the Control Buttons

Use the control buttons on the rear of the monitor to adjust the monitor settings.






### 1. Input Select / Close Button:

- Press to activate the **Input Select** hotkey. In the OSD menu, press to exit the OSD menu.






- To change the hotkey function, go to the **MyFavorite > Shortcut** menu.

### 2. Hotkey / Navigation Button:

- : Press to activate the OSD menu. In the OSD menu, press to confirm the selection.
- : Move the button up to activate the **GameVisual** hotkey.
- : Move the button down to activate the **Volume** hotkey.



- : In the OSD menu, move the button up/down to navigate through the settings.
- : Move the button right to activate the **GamePlus** hotkey. In the OSD menu, move the the button right to move to the next menu.
- : In the OSD menu, move the the button left to exit the OSD menu or move to the previous menu.



- 
- To change the hotkey function, go to the **MyFavorite > Shortcut** menu.
  - For more information on GamePlus function, refer to page 1-8.
  - For more information on GameVisual function, refer to page 1-10.
- 

### 3. Power Button:

- Press this button to turn the monitor on/off.

### 4. Power Indicator:









- The color definition of the power indicator is as the table below.

Status	Description
Red	ON
Amber	Standby mode
OFF	OFF

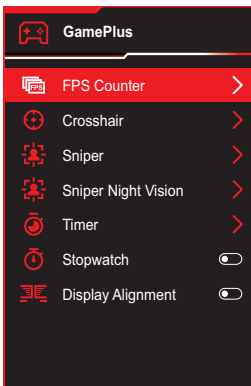
## 1.5.2 GamePlus Function

The GamePlus function provides a toolkit and creates a better gaming environment for users when playing different types of games. The crosshair overlay with 6 different crosshair options letting you choose the one that best suits the game you're playing. There are also on screen timer and stopwatch you can position on the left of the display so you can keep track of the gaming time; while the FPS (frames per second) counter lets you know how smooth the game is running. Sniper function (only available when HDR is disabled on your device) is customized for first-person shooters. You can select the magnification ratio and the type of alignment in sequence.

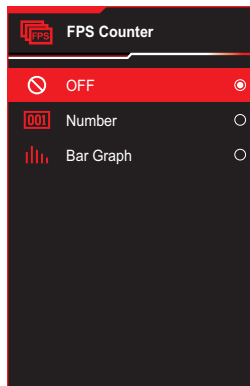
To activate GamePlus:

1. Press the GamePlus hotkey. By default, the  button right is set as GamePlus hotkey.  
To change the hotkey function, go to the **MyFavorite > Shortcut** menu.
2. Move the  button up/down to select among different functions.
3. Press the  button or move the  button right to confirm the function you choose, and move the  button up/down to navigate through the settings. Move the  button left to go back, off, or exit.
4. Highlight the desired setting and press the  button to activate it.  
Once the function is activated, press the  button to inactivate it.

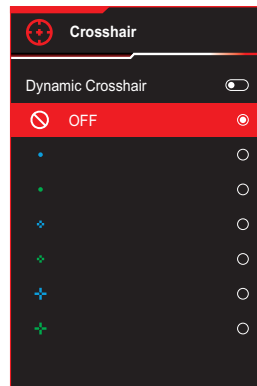
GamePlus Main Menu



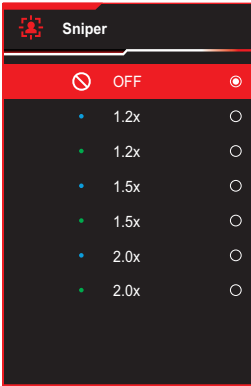
GamePlus – FPS Counter



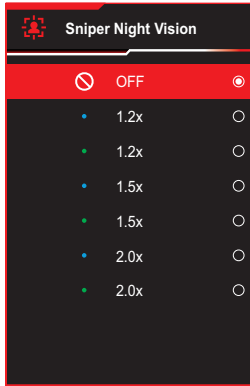
GamePlus – Crosshair



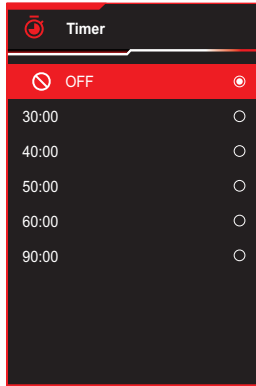
### GamePlus – Sniper



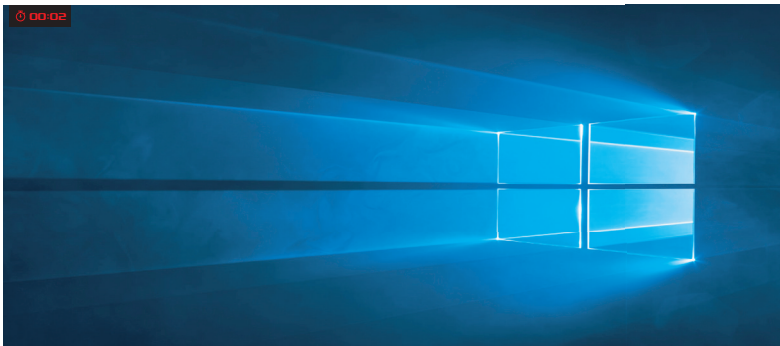
### GamePlus – Sniper Night Vision



### GamePlus – Timer



### GamePlus – Stopwatch





### GamePlus – Display Alignment



## 1.5.3 GameVisual Function

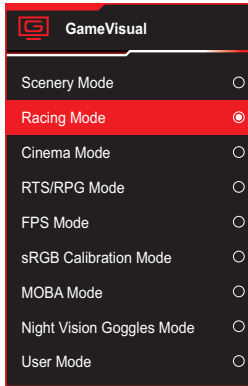
The GameVisual function helps you select among different picture modes in a convenient way.


To activate GameVisual:

1. Press the GameVisual hotkey. By default, the  button up is set as GameVisual hotkey.  
To change the hotkey function, go to the **MyFavorite > Shortcut** menu.
2. Move the  button up/down to select among different modes.
  - **Scenery Mode:** This is the best choice for scenery photo or movie displaying with GameVisual™ Video intelligence Technology.
  - **Racing Mode:** This is the best choice for racing game playing with GameVisual™ Video intelligence Technology and for document editing. In this mode is applied reduced input lag (by pass FRC).
  - **Cinema Mode:** This is the best choice for generic movie watching and movie watching with GameVisual™ Video intelligence Technology.
  - **RTS/RPG Mode:** This is the best choice for generic game playing and Real-Time Strategy (RTS)/ Role-Playing Game (RPG) playing with GameVisual™ Video intelligence Technology.
  - **FPS Mode:** This is the best choice for dark scenery game playing, movie watching, and First Person Shooter game playing with GameVisual™ Video intelligence Technology.
  - **sRGB Calibration Mode:** This is the best choice for viewing photos and graphics from PCs.
  - **MOBA Mode:** This is the best choice for Multiplayer Online Battle Arena (MOBA) games playing with GameVisual™ Video intelligence Technology.
  - **Night Vision Goggles Mode:** This is the best choice for dark scenery playing with GameVisual™ Video intelligence Technology.
  - **User Mode:** More items are adjustable in the Color menu.



- 
- In the Racing Mode, the Saturation and Sharpness functions are not user-configurable.
  - In the sRGB, the Saturation, Color Temp., Sharpness, and Contrast functions are not user-configurable.
  - In the MOBA Mode, the Saturation function is not user-configurable.
- 



3. Press the  button to confirm the selection.

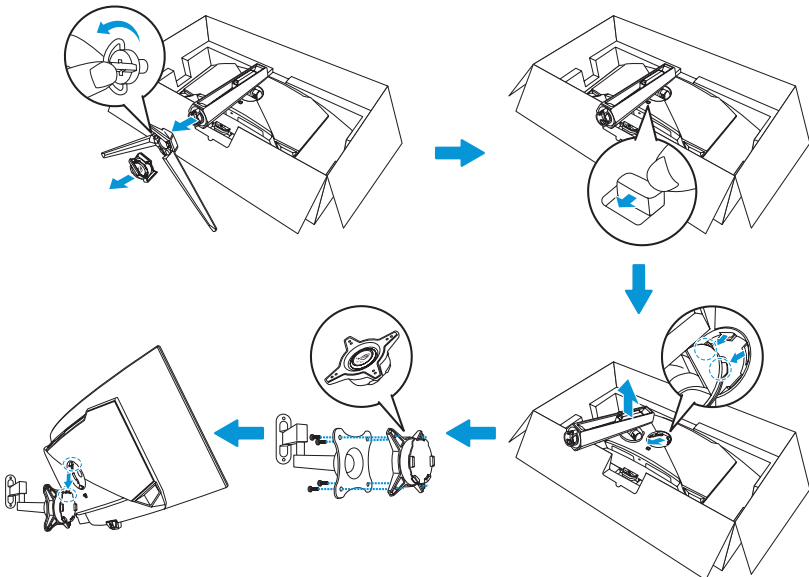
# 2.1 Detaching the Stand (for VESA Wall Mount)



- Avoid damaging the monitor surface. While detaching the monitor stand, always keep the monitor inside its EPS packaging.

The detachable stand of this monitor is specially designed for VESA wall mount.

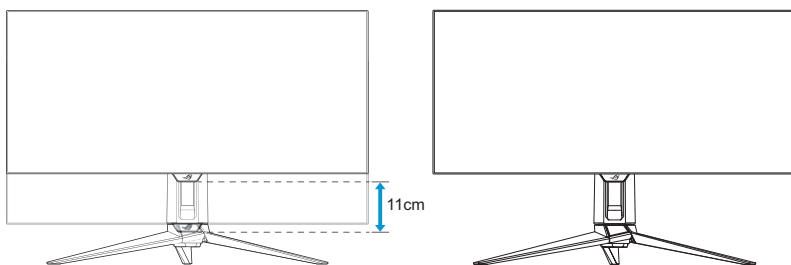
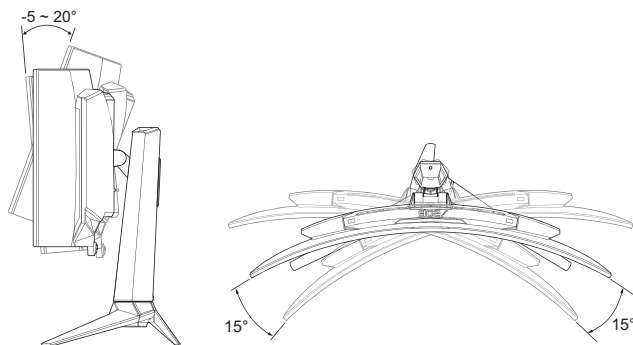
1. Disconnect power and signal cables. Carefully put the monitor facedown on its EPS packaging.
2. Remove the LED projection cover. Then release the bundled screw and remove the base from the stand.
3. Press the release button to detach the stand from the monitor.
4. Remove the stand.
5. Attach the ROG wall mount kit to the wall mounting bracket. Then install the monitor to the wall mount.



- The VESA wall mount kit (100 x 100 mm).
- Use only the UL Listed Wall Mount Bracket with minimum weight/load 22.7kg (screw size is M4 x 10 mm).

## 2.2 Adjusting the Monitor

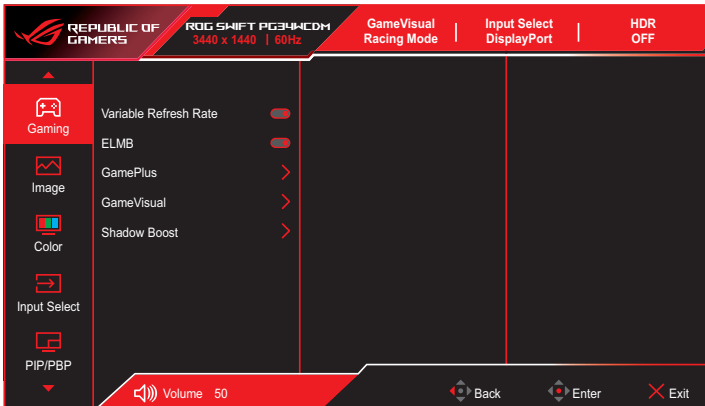
- For optimal viewing, we recommend that you look at the full face of the monitor, then adjust the monitor to the angle that is most comfortable for you.
- Hold the stand to prevent the monitor from falling when you change its angle.
- You can adjust the monitor's angle from  $-5^{\circ}$  to  $20^{\circ}$  and it allows  $15^{\circ}$  swivel adjustment from either left or right. You can also adjust the monitor's height within  $\pm 11$  cm and rotate the monitor ( $3^{\circ}$  clockwise or counter-clockwise) to portrait orientation.



- It is normal that the monitor slightly shakes while you adjust the viewing angle.

# 3.1 OSD (On-Screen Display) Menu

## 3.1.1 How to Reconfigure



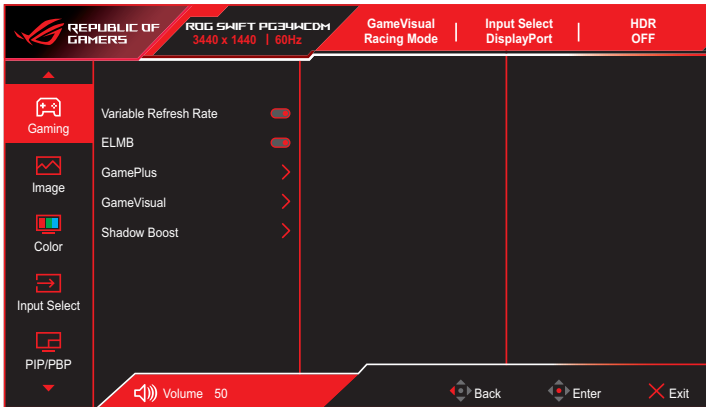
1. Press the button to display the OSD menu.
2. Move the button up/down to navigate through the functions. Highlight the desired function and press the button or move the button right to enter its sub-menu. In submenu, move the button up/down again to navigate through the sub-menu functions. Highlight the desired sub-menu function and press the button to select an option or move the button up/down to adjust the setting.
3. Move the button up/down to change the settings of the selected function.
4. To exit and save the OSD menu, press the button or move the button left repeatedly until the OSD menu disappears. To adjust other functions, repeat steps 1 to 3.



## 3.1.2 OSD Function Introduction

### 1. Gaming

Configure your gaming preferences.



- **Variable Refresh Rate:** Allows a Variable Refresh Rate supported graphics source to dynamically adjust display refresh rate based on typical content frame rates for power efficient, virtually stutter free and low-latency display update.



- Variable Refresh Rate can only be activated within 40Hz ~ 240Hz for both HDMI and DisplayPort sources.
- In Power saving mode, the default VRR is 60Hz.
- The following functions will be disabled when Variable Refresh Rate is turned on:
  - PIP/PBP
  - ELMB
  - Aspect Control

- **ELMB:** Extreme Low Motion Blur. Decreases motion blur and minimizes ghosting part when on-screen objects are fast moving.



- To activate ELMB, turn off Variable Refresh Rate function first.
- ELMB works on vertical frequency 120Hz.
- The following functions will be disabled when ELMB is turned on:
  - Variable Refresh Rate
  - Blue Light Filter
  - Aspect Control
  - HDR
  - PIP/PBP

- **GamePlus:** Configures the gaming environment. For more information, refer to pages 1-8 and 1-9.
- **GameVisual:** Selects the picture mode. For more information, refer to pages 1-10 and 1-11.

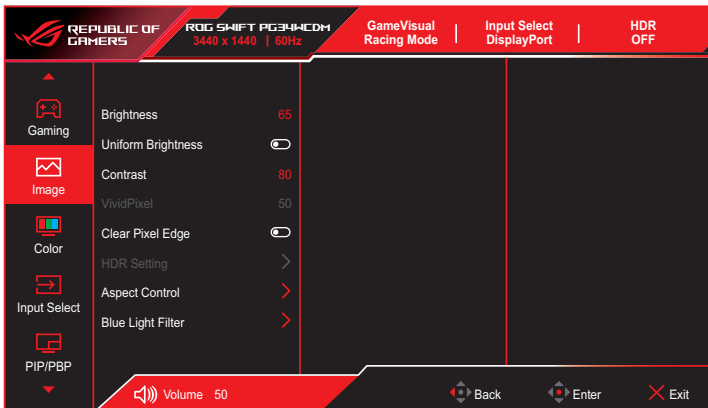


- The following function will be disabled:
  - HDR

- **Shadow Boost:** Adjusts the monitor gamma curve to enrich the dark tones in an image making dark scenes and objects much easier to be found. Available options: **OFF, Dynamic Adjustment, and Level 1~ Level 3.**

## 2. Image

Configure the image parameters.



- **Brightness:** Adjusts the brightness level. The adjusting range is from **0 to 100.**
- **Uniform Brightness:** With the feature enabled, the system will not adjust the maximum brightness of the screen when the screen is displayed in a different screen size.
- **Contrast:** Adjusts the contrast level. The adjusting range is from **0 to 100.**
- **VividPixel:** ASUS Exclusive Technology that brings lifelike visuals for crystal-clear and detail-oriented enjoyment. The adjusting range is from **0 to 100.**

- **Clear Pixel Edge:** Effectively reduces color fringing on the edges of the displayed image.
- **HDR Setting:** Set the HDR mode to ASUS Gaming HDR, ASUS Cinema HDR, or Console HDR.  
The HDR brightness can be adjusted when the Brightness Adjustable function is enabled.



- 
- When displaying HDR content, the following functions are not available: GameVisual, Shadow Boost, Brightness, Contrast, Aspect Control, Blue Light Filter, Color Temp., Gamma, Saturation.
  - The following functions will be disabled when HDR is turned on:
    - ELMB
    - PIP/PBP
    - GameVisual
    - Contrast
    - Blue Light Filter
    - Color Temp.
    - Gamma
    - Saturation
    - Power Saving
    - Display Color Space
    - Six-Saturation
    - Aspect Control
    - Sniper
    - Sniper Night Version
  - HDR PQ curve will be affected when the brightness adjustment is ON under HDR mode.
- 

- **Aspect Control:** Adjusts the aspect ratio to **16:9**, **eSports**, and **21:9**.



- 
- Select eSports to display the picture according to the original aspect ratio of the input source.
  - The following functions will be disabled when Aspect Control is turned on:
    - Variable Refresh Rate
    - PIP/PBP
    - ELMB
-

- **Blue Light Filter:** Reduces the energy level of blue light emitted from the panel. To turn off the Blue Light Filter, select **OFF**.



- When Blue Light Filter is activated, the default settings of Racing Mode will be automatically imported.
- Between Level 1 to Level 3, the Brightness function is user-configurable.
- Level 4 is optimized setting. The Brightness function is not user-configurable.
- **Flicker-free technology that eliminates the primary cause of monitor flicker, making it easier on the eyes.**

---

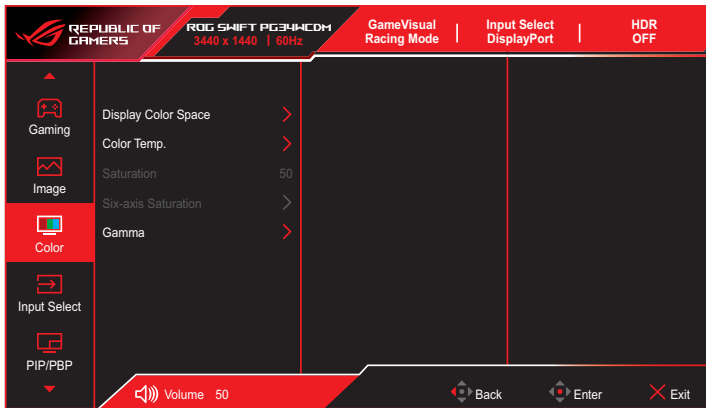
The Monitor uses low blue light panel and compliance with TUV Rheinland Low Blue Light Hardware Solution at factory reset/default setting mode.

---

- Please refer to the following to alleviate eye strains:
    - Users should take some time away from the display if working for long hours. It is advised to take short breaks (at least 5 mins) after around 1 hour of continuous working at the computer. Taking short and frequent breaks is more effective than a single longer break.
    - To minimize eye strain and dryness in your eyes, users should rest the eye periodically by focusing on objects that are far away.
    - Eye exercises can help to reduce eye strain. Repeat these exercises often. If eye strain continues please consult a physician. Eye exercises: (1) Repeating look up and down (2) Slowly roll your eyes (3) Move your eyes diagonal.
    - High energy blue light may lead to eye strain and AMD (Age-Related Macular Degeneration). Blue light filter to reduce 70% (max.) harmful blue light to avoiding CVS (Computer Vision Syndrome).
  - The following functions will be disabled when Blue Light Filter is turned on:
    - ELMB
    - HDR
-

### 3. Color

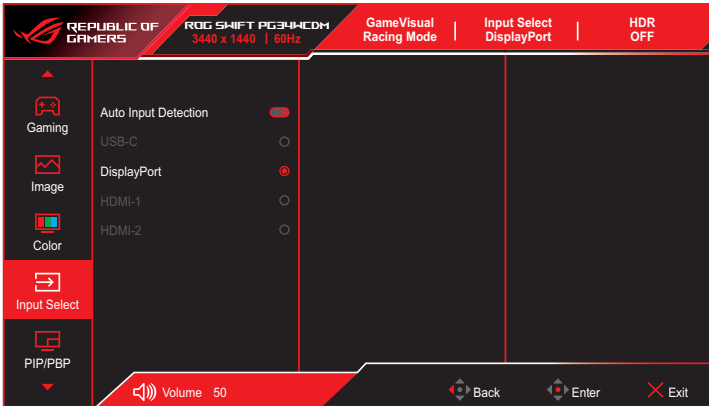
Select the image color you like from this menu.



- **Display Color Space:** Selects the color space for the monitor color output.
- **Color Temp.:** Selects the desired color temperature.
- **Saturation:** Adjusts the saturation level.
- **Six-axis Saturation:** Adjusts the saturation for R, G, B, C, M, Y.
- **Gamma:** Sets the color mode.

## 4. Input Select

Select the input source.



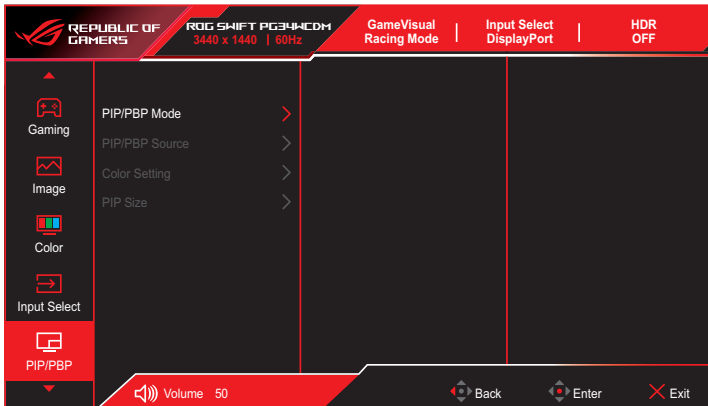
- **Auto Input Detection:** When enabled, the system will automatically select the latest inserted I/O port.
- **Input Source:** Manually select the input source.

## 5. PIP/PBP

Configure the multi-picture related settings.



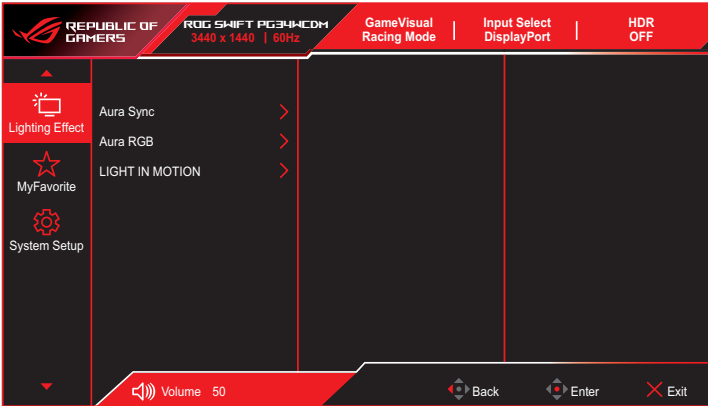
- When PIP/PBP mode is turned on, the following OSD message is displayed:
  - PIP/PBP mode is used under 60Hz.
  - PIP/PBP mode can't support HDR function.
  - DSC is only supported on main window.
- The following functions will be disabled when PIP/PBP mode is turned on:
  - Variable Refresh Rate
  - Aspect Control
  - ELMB
  - DSC Support



- **PIP/PBP Mode:** Allows you to turn on and off the PIP/PBP mode.
- **PIP/PBP Source:** Selects the video input source among **USB Type-C, DisplayPort, HDMI-1, and HDMI-2.**
- **Color Setting:** Sets GameVisual mode for each PIP/PBP window.
- **PIP Size:** Adjusts the PIP size to **Small, Middle, and Large.**

## 6. Lighting Effect

Configure the lighting effect for the rear cover and base cover.



- **Aura Sync:** Allows you to turn on or off the Aura Sync function that synchronizes the Aura RGB light effect among all supported devices.



- The following function will be disabled when AURA Sync is turned on:
  - Aura RGB

- **Aura RGB:** There are five living colors that can be chosen: **Rainbow**, **Color Cycle**, **Static**, **Breathing**, **Strobing**, and **OFF**. You can manually change the R/G/B/C/M/Y color for **Static**, **Breathing**, and **Strobing** modes.



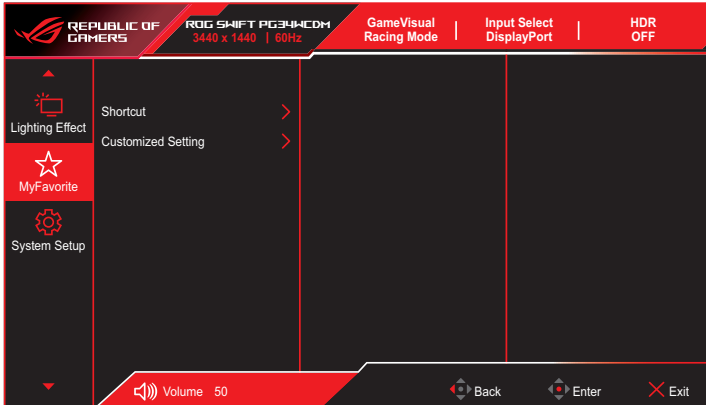
- The following function will be disabled when AURA RGB is turned on:
  - Aura Sync

- **LIGHT IN MOTION:** Selects the brightness level of the light on the stand. The adjusting range is from **Level 1 ~ Level 3** and **OFF**.



## 7. MyFavorite

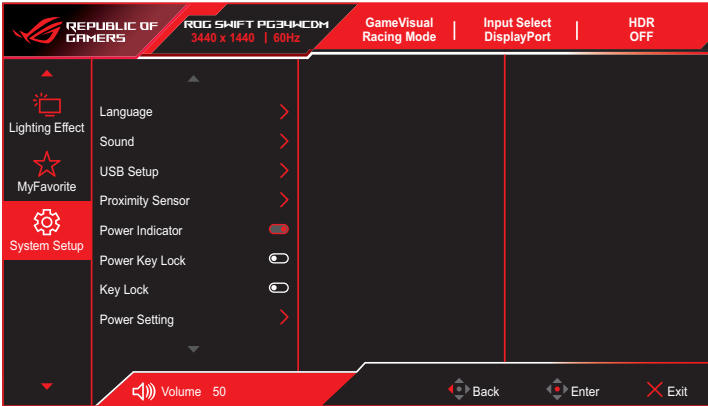
You can adjust Shortcut and Customized Setting from this main function.



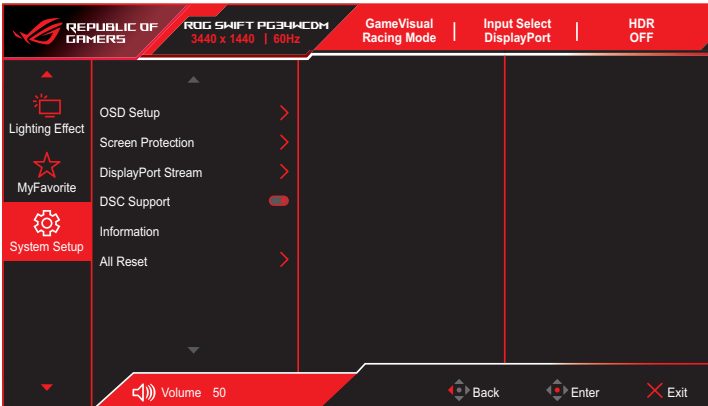
- **Shortcut:** User can select from **GamePlus, GameVisual, Brightness, Mute, Shadow Boost, Contrast, Input Select, HDR Setting, Blue Light Filter, Color Temp., Volume, Smart KVM, KVM, Pixel Cleaning, Customized Setting-1, Customized Setting-2** and set as shortcut key.
- **Customized Setting:** You can do your setting according to your preference.

# 8. System Setup

Adjust the system configuration.



(Page 1/2)



(Page 2/2)

- **Language:** Select an available language for the OSD menu.
- **Sound:**
  - **Volume:** Adjusts the volume level from **0** to **100**.
  - **Mute:** If checked, mutes the volume.
  - **Sound Source:** Selects the monitor's sound source.

- **Sound Output:** Sets the sound output setting to **Headphone** or **SPDIF**.
- **USB Setup:** Configures USB port settings.
- **KVM:** Controls the source screen using one keyboard and mouse.
  - **Smart KVM:** Controls the two connected devices both using just one keyboard and mouse.




- Make sure your USB Type-C and USB Type-B are connected with your devices and USB-C source is enabled before enabling the Smart KVM PBP function.
  - Please visit [ASUS support site](#) for more information.
- 

- **KVM (USB-C):** Switches USB downstream port to USB Type-C upstream port.
- **KVM (USB-B):** Switches USB downstream port to USB Type-B upstream port.
- **Type-C Bandwidth:** Selects USB Type-C with **USB 2.0** or **USB 3.2**.
- **USB Hub:** Sets the USB Hub availability during standby.
- **Proximity Sensor:** Embedded proximity sensor prompts the monitor to switch power saving mode when it detects the user is away for 180 seconds and resumes normal operation when user comes back. The function will adjust the sensor sensitivity according to usage habit—50cm(Low)/80cm(Middle)/110cm(High).



- The sensitivity of sensor might be influenced by the ambient light, color of users' clothing and monitor use angle.
- 

- **Power Indicator:** Turns the power LED indicator on/off.
- **Power Key Lock:** Disables or enables the power key.

- **Key Lock:** Enable this function to disable all function keys. Press the  button down for more than five seconds to cancel the key lock function. For more information about cancelling Key Lock, refer to the "Quick Start Guide".
- **Power Setting:** Selects the power setting between **Standard Mode** and **Power Saving Mode**.



- 
- In Power saving mode, the screen brightness will be lowered and the monitor will consume less power. If you need to keep higher brightness level then set the Power setting to Standard mode.
  - Please turn off HDR function before activating the Power saving mode.
  - Standard mode setting may result in higher power consumption.
  - Power saving mode may cause limited luminance performance. Would you like to switch to standard mode?  
Yes / No
- 

- **OSD Setup:**
  - **OSD Position:** Sets the OSD menu position.
  - **OSD Timeout:** Adjusts the OSD timeout.
  - **Transparency:** Adjusts the OSD background from opaque to transparent.
  - **DDC/CI:** Disables or enables the DDC/CI function.
- **Screen Protection:**
  - **Screen Saver:** Disables or enables the screen saver function. The screen brightness will automatically decrease when there is no change on the screen.
  - **Pixel Cleaning:** It calibrates any issues that may arise on the screen when your monitor has been turned on for a long time. The process will take approximately 6 minutes. This function will automatically activate when the monitor is turn off. Do not unplug the power cord while it is in progress. If you power on the monitor, the Pixel Cleaning will stop operating.



- 
- When the pixel cleaning is activated, the monitor will be unavailable for around six minutes. Would you like to execute the Pixel cleaning?

Yes / No

---

- **Pixel Cleaning Reminder:** Sets a reminder for user to perform the Pixel Cleaning.



- 
- To prevent and reduce the occurrence of image retention, please execute pixel cleaning and do not unplug the monitor before the process of pixel cleaning function.
- 

- **Screen Move:** Selects the screen movement level to prevent image sticking on the display panel.
- **Auto Logo Brightness:** Enable this function to allow the system to automatically adjust the logo brightness to correct the potential picture quality issues.



- 
- The screen may have mura and image sticking due to OLED characteristic during the initial use or re-used after a long time. It is advised to perform Pixel Cleaning while turning on monitor to make sure situation disappear.
- 

- **DisplayPort Stream:** Selects **DisplayPort 1.2** or **DisplayPort 1.4** according to the graphic card DP version.
- **DSC Support:** Enables or disables the DSC (Display Stream Compression) support.
- **Information:** Displays the monitor information.
- **All Reset:** Select **YES** to revert all settings to the factory default mode.

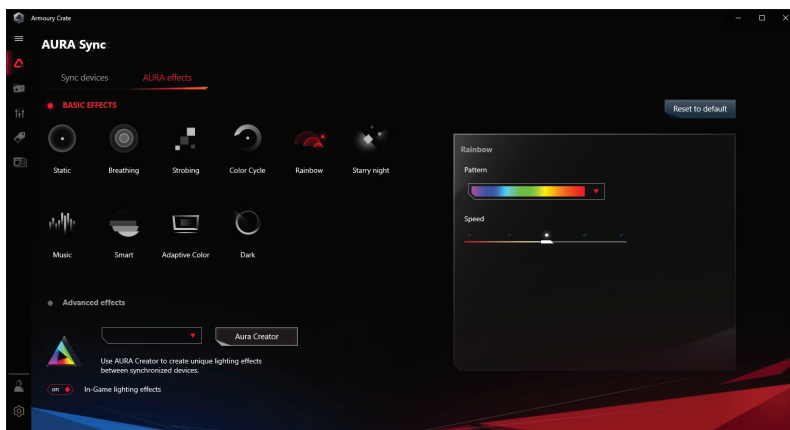
## 3.2 Aura Sync

Armoury Crate is a software program that controls the colorful LEDs on supported devices, such as monitors, motherboards, graphic cards, desktop PCs, etc. Aura allows you to adjust the color of the RGB LEDs on these devices and select different light effects. You can also correct or adjust the color of the LEDs by calibrating them.

To activate Aura:

1. Turn ON the **Aura Sync** function in the OSD menu.
2. Connect the USB type-B or USB type-C port of the monitor to the USB port of your computer.
3. Install Armoury Crate and then restart the computer.
4. Execute Armoury Crate.

Below is the overview of this program.



- If the USB upstream connection between the monitor and computer is disconnected, to resume the Aura function, you need to re-connect the USB 3.0 upstream port of the monitor to the computer and then restart the computer.
- Visit [https://rog.asus.com/innovation/armoury\\_crate/](https://rog.asus.com/innovation/armoury_crate/) for more details.

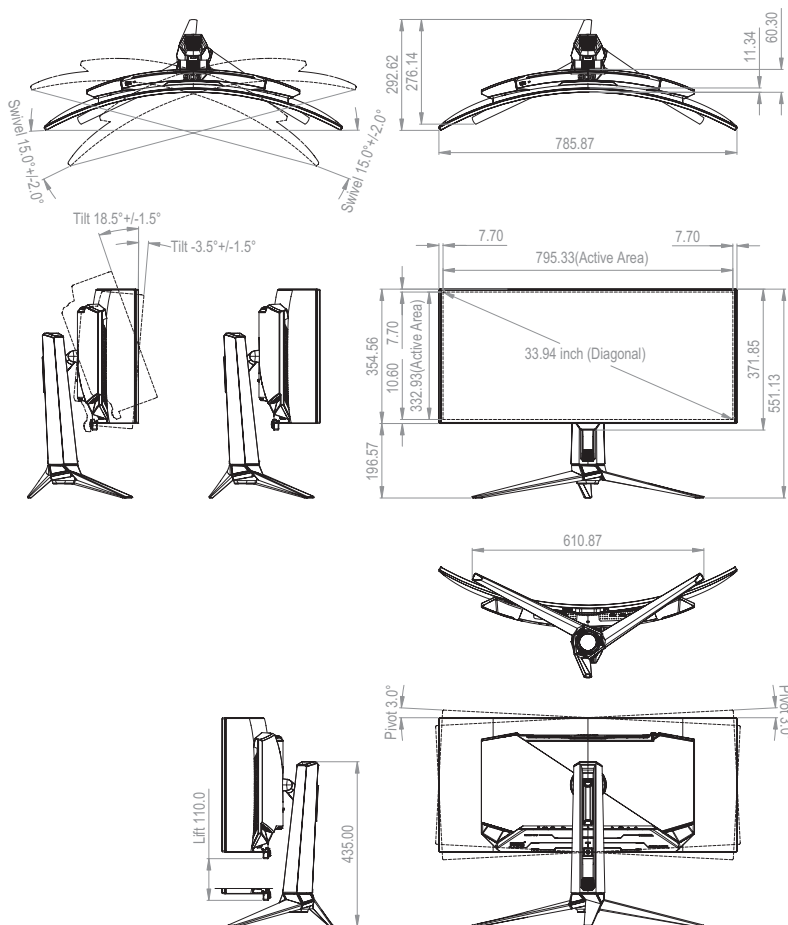
## 3.3 Specifications

Model	PG34WCDM
Panel Type	OLED
Panel Size	33.94" (86.22cm)
Max. Resolution	3440 x 1440
Brightness (Max.)	450 nits
Contrast Ratio (Typ.)	1,500,000:1
Viewing Angle	178° (R/L), 178° (U/D)
Display Colors	1073.7M (10 bit)
Response Time	0.03 ms
HDMI Input	Yes
DisplayPort Input	Yes
Type C Input	Yes
USB Port	Upstream type-B/type-c (Type-C support output: 5V,3A/ 9V,3A/ 12V,3A/ 15V,3A/ 20V,4.5A) Downstream USB3.2 x2, USB2.0 x1
Earphone	Yes
Power ON consumption	31W (Measuring a screen brightness of 200 nits without audio/USB/Card reader connection)
Chassis Colors	Dark grey
Power LED	Red (On) / Orange (Standby) / Blinking Orange (Pixel Cleaning)
Power Saving Mode	< 0.5W
Power Off Mode	< 0.3W
Tilt	-5° ~ +20°
Swivel	±15°
Height Adjustment	110.0 mm
Vesa Wall Mount	100 x 100
Phys. Dimension with Stand (WxHxD)	786 x (441~551) x 293 mm
Phys. Dimension without Stand (WxHxD)	786 x 372 x 161 mm
Box Dimension (WxHxD)	890 x 291 x 465 mm

Model	PG34WCDM
Net Weight (Esti.)	8.4 kg
Gross Weight (Esti.)	13.5 kg
Voltage Rating	Adaptor 14A, 20V
Temperature	Operating temperature: 0~40°C Storage temperature: -30~65°C


\*Specifications subject to change without notice.

## 3.3 Outline Dimensions





## 3.4 Troubleshooting (FAQ)

Problem	Possible Solution
Power LED is not ON	<ul style="list-style-type: none"><li>• Press the  button to check if the monitor is turned on.</li><li>• Check if the adapter and power cord are properly connected to the monitor and the power outlet.</li><li>• Check the <b>Power Indicator</b> function in the OSD menu. Select "ON" to turn on the power LED.</li></ul>
The power LED lights red and there is no screen image	<ul style="list-style-type: none"><li>• Check if the monitor and the computer are turned on.</li><li>• Make sure the signal cable is properly connected to the monitor and the computer.</li><li>• Inspect the signal cable and make sure none of the pins are bent.</li><li>• Connect the computer with another available monitor to check if the computer is properly working.</li></ul>
Screen image is too light or dark  Screen image bounces, a wave pattern or abnormal picture is present in the image	<ul style="list-style-type: none"><li>• Adjust the <b>Contrast</b> and <b>Brightness</b> settings via OSD.</li><li>• Make sure the signal cable is properly connected to the monitor and the computer.</li><li>• Move electrical devices that may cause electrical interference.</li><li>• Remove the adapter and plug it again to the power outlet. Then turn on the monitor.</li></ul>
Screen image has color defects (white does not look white)	<ul style="list-style-type: none"><li>• Inspect the signal cable and make sure that none of the pins are bent.</li><li>• Perform <b>All Reset</b> via OSD.</li><li>• Select the appropriate color temperature (<b>Color Temp.</b>) via OSD.</li></ul>
No sound or sound is low	<ul style="list-style-type: none"><li>• Adjust the volume settings of your monitor or computer.</li><li>• Make sure the computer sound card driver is properly installed and activated.</li><li>• Check the audio source.</li></ul>

# 3.5 Supported Timing List

## PC Supported Primary Timing

Resolution	H Freq (KHz)	V Freq (Hz)	DCLK (MHz)	HDMI	DP
640x480-60 Hz	31.469	59.94	25.175	V	V
640x480-67 Hz	35	67	30.24	V	V
640x480-72 Hz	37.861	72.809	31.5	V	V
640x480-75 Hz	37.5	75	31.5	V	V
720x400-70 Hz	31.469	70.165	28.35	V	V
800x600-56 Hz	35.156	56.25	36	V	V
800x600-60 Hz	37.879	60.317	40	V	V
800x600-72 Hz	48.077	72.188	50	V	V
800x600-75 Hz	46.875	75	49.5	V	V
1024x768-60 Hz	48.363	60.004	65	V	V
1024x768-70 Hz	56.476	70.069	75	V	V
1024x768-75 Hz	60.023	75.029	78.75	V	V
1152x864-75 Hz	67.5	75	108	V	V
1280x720-60 Hz	44.772	59.855	74.5	V	V
1280x720-60 Hz	45	60	74.25	V	V
1280x800-60 Hz	49.702	59.810	83.500	V	V
1280x960-60 Hz	60	60	108	V	V
1280x1024-60 Hz	63.981	60	108	V	V
1280x1024-75 Hz	79.976	75.025	135	V	V
1440x900-60 Hz	55.469	59.901	88.75	V	V
1440x900-60 Hz	55.935	59.887	106.5	V	V
1680x1050-60 Hz	64.674	59.883	119	V	V
1680x1050-60 Hz	65.29	59.954	146.25	V	V
1920x1080-60 Hz	66.587	59.934	138.5	V	V
1920x1080-240 Hz	291.587	239.989	606.5	V	V
2560x1440-120 Hz	182.996	119.998	497.75	V	V
2560x1440-240 Hz	388.511	239.969	1056.75	V	V
3440x1440-60 Hz	88.819	59.973	319.75	V	V
3440x1440-100 Hz	150.972	99.982	543.5	V	V
3440x1440-120 Hz	180	120	648	V	V
3440x1440-144 Hz	222.152	143.975	799.75	V	V
3440x1440-180 Hz	282.569	179.981	1017.25	V	V
3440x1440-240 Hz	374.375	239.984	1347.75	V	V

# CEA Timing

Resolution	H Freq (KHz)	V Freq (Hz)	DCLK (MHz)	HDMI	DP
640x480p-60 Hz@4:3	31.469	59.94	25.175	V	V
720x480p-60 Hz@4:3	31.469	59.94	27	V	V
720x480p-60 Hz@16:9	31.469	59.94	27	V	V
1280x720p-60 Hz@16:9	45	60	74.25	V	V
1920x1080p-60 Hz@16:9	67.5	60	148.5	V	V
720x576p-50 Hz@4:3	31.25	50	27	V	V
720x576p-50 Hz@16:9	31.25	50	27	V	V
1280x720p-50 Hz@16:9	37.5	50	74.25	V	V
1920x1080p-50 Hz@16:9	56.25	50	148.5	V	V
1920x1080p-30 Hz@16:9	33.75	30	74.25	V	V
1920x1080p-24 Hz@16:9	27	24	74.25	V	V
1920x1080p-25 Hz@16:9	28.125	25	74.25	V	V
1920x1080p-120 Hz@16:9	135	120	297	V	V
1920x1080p-100 Hz@16:9	112.5	100	297	V	V
1440x480p-60 Hz@4:3	31.469	59.94	54	V	V
1440x480p-60 Hz@16:9	31.469	59.94	54	V	V
1920x1080i-60 Hz@16:9	33.716	59.940	74.176	V	V
1920x1080i-50 Hz@16:9	28.125	50	74.25	V	V
2560x1080p-60 Hz@64:27	66	60	198	V	V
2560x1080p-50 Hz@64:27	56.25	50	185.625	V	V
2560x1080p-120 Hz@64:27	150	120	495	V	V
2560x1080p-100 Hz@64:27	125	100	371.25	V	V
3840x2160p-60 Hz@16:9	135	60	594	V	-
3840x2160p-50 Hz@16:9	112.5	50	594	V	-
3840x2160p-30 Hz@16:9	67.5	30	297	V	-
3840x2160p-24 Hz@16:9	54	24	297	V	-
3840x2160p-25 Hz@16:9	56.25	25	297	V	-

