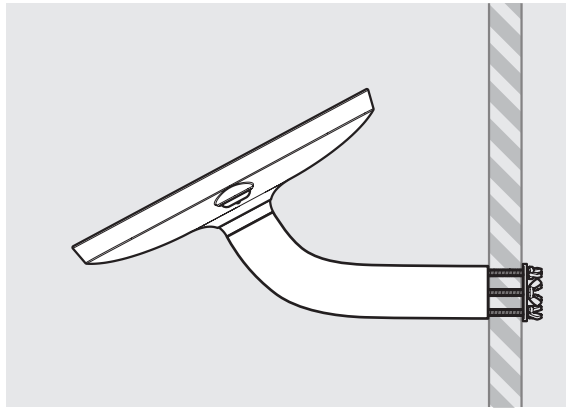


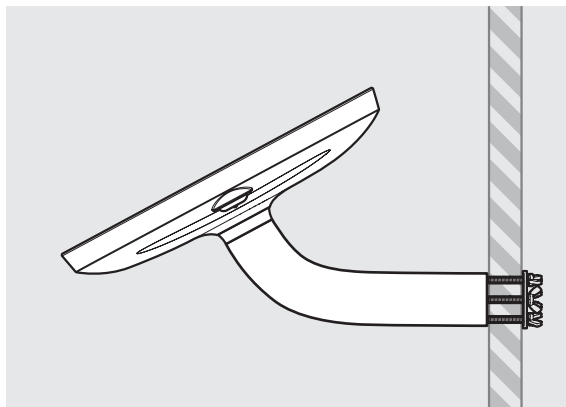
Mini Case supported devices:

- iPad Mini 1
- iPad Mini 2
- iPad Mini 3
- iPad Mini 4
- iPad Mini (2019)



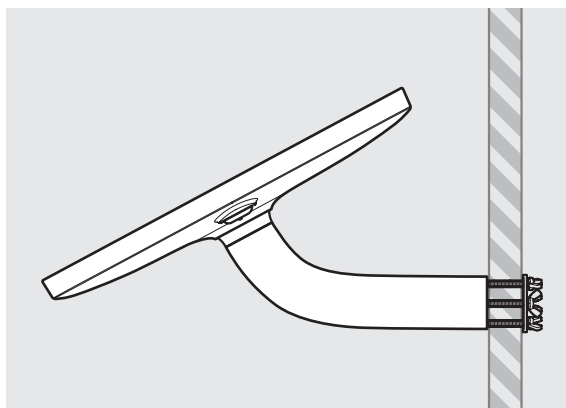
Midi Case supported devices:

- iPad 6th Gen
 - iPad 5th Gen
 - iPad 4th Gen
 - iPad 3rd Gen
 - iPad Pro 9.7
 - iPad Air 1
 - iPad Air 2
 - Samsung Tab S2 9.7
 - Samsung Tab S3 9.7
 - Samsung Tab A 9.7
- * Cable is not included for the Samsung Tab S3 9.7 Tablet



Maxi Case supported devices:

- iPad Pro 10.5
 - iPad Pro 11.0
 - iPad Air (2019)
 - Samsung Tab A6 10.1
 - Samsung Tab A 10.1
 - Samsung Tab A 10.5
 - Samsung Tab 4 10.1
 - Microsoft Surface Go
- * Cable is not included for the Apple iPad Pro 11.0 tablet.
Cable is not included for the Microsoft Surface Go.



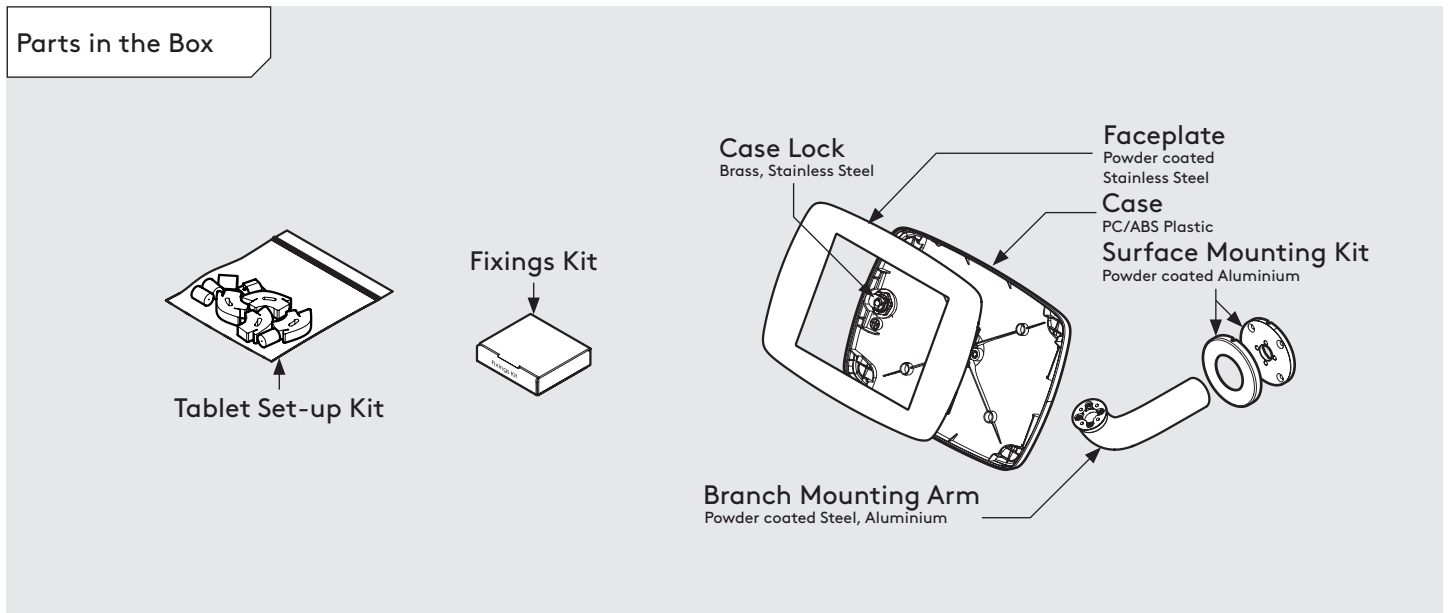
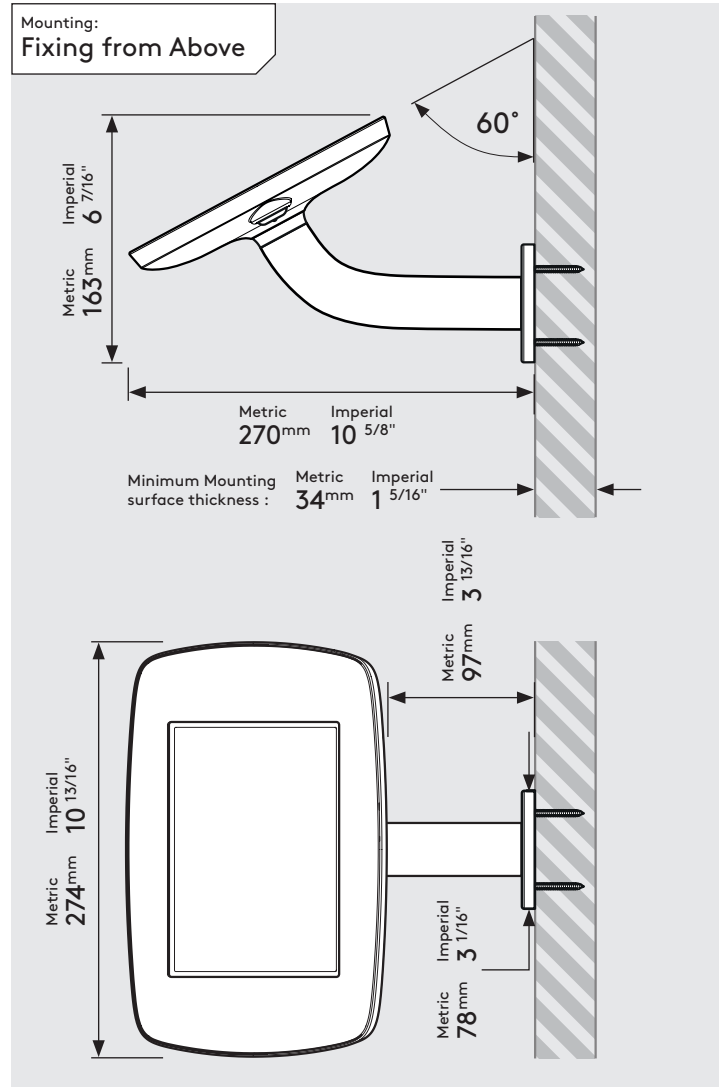
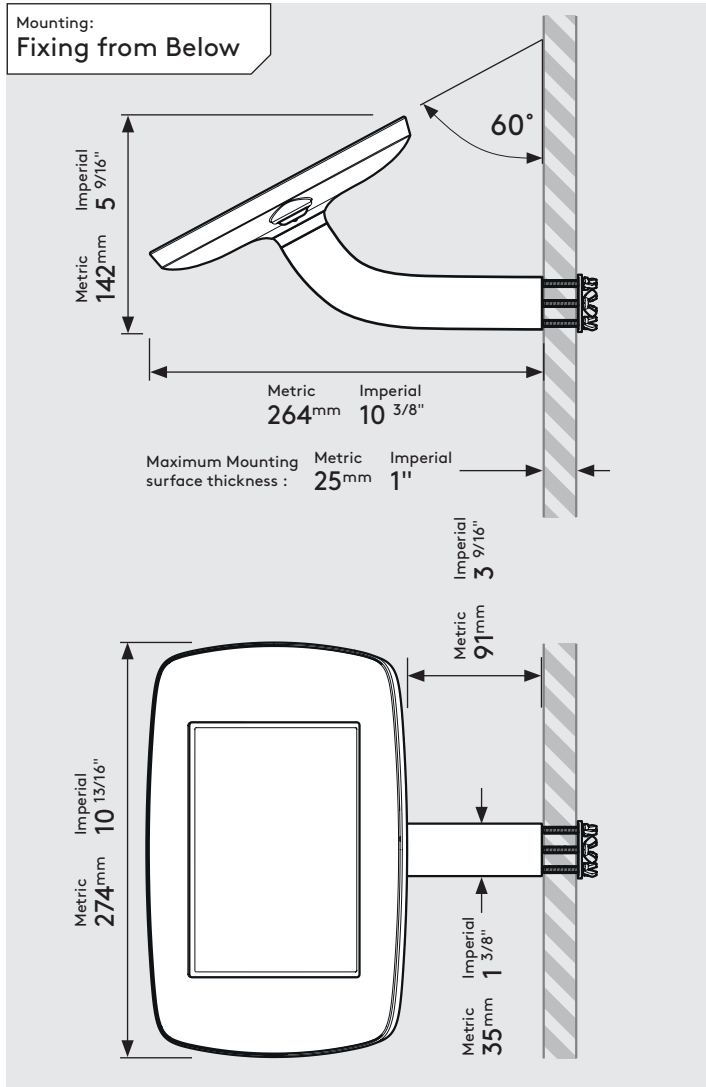
Mega Case supported devices:

- iPad Pro 12.9" 1st Gen
 - iPad Pro 12.9" 2nd Gen
 - iPad Pro 12.9" 3rd Gen
 - Microsoft Surface Pro 4
 - Microsoft Surface Pro 5
- * Cable is not included for the Surface Pro 4 or Surface Pro 5 Tablets.
Cable is not included for the iPad Pro 12.9" 3rd Gen.

PRODUCT DATA SHEET - BOUNCEPAD BRANCH

bouncepad[®]

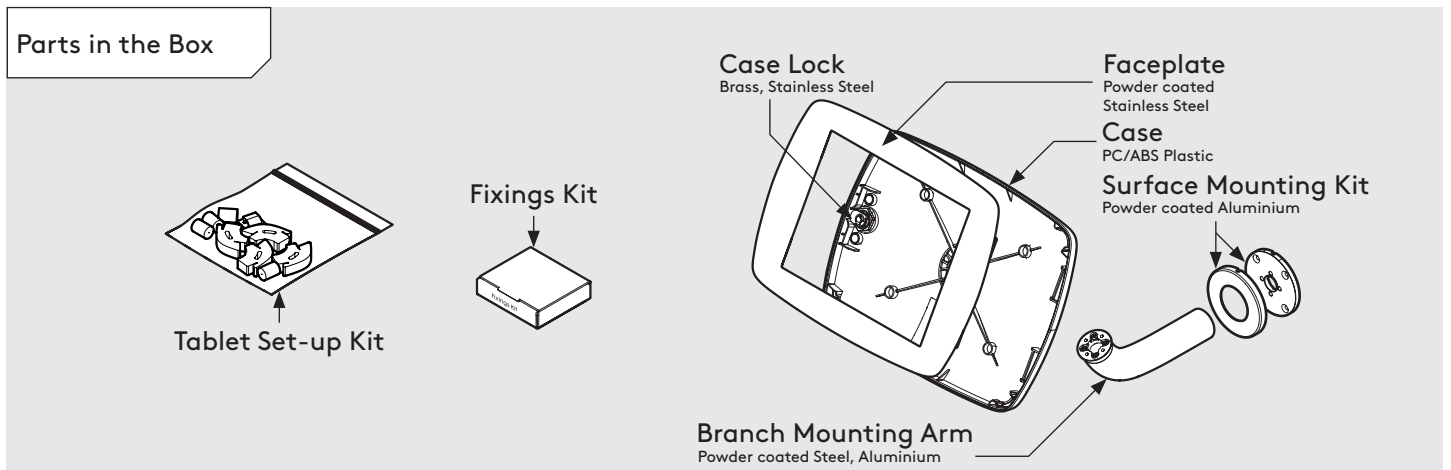
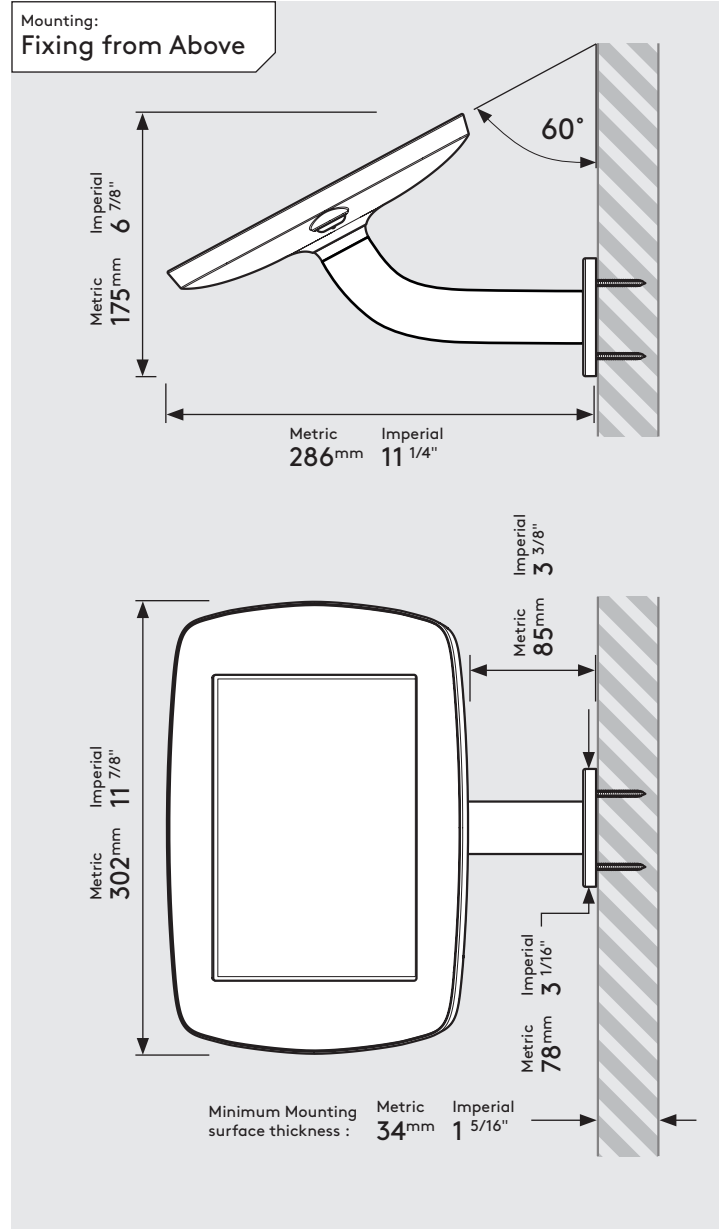
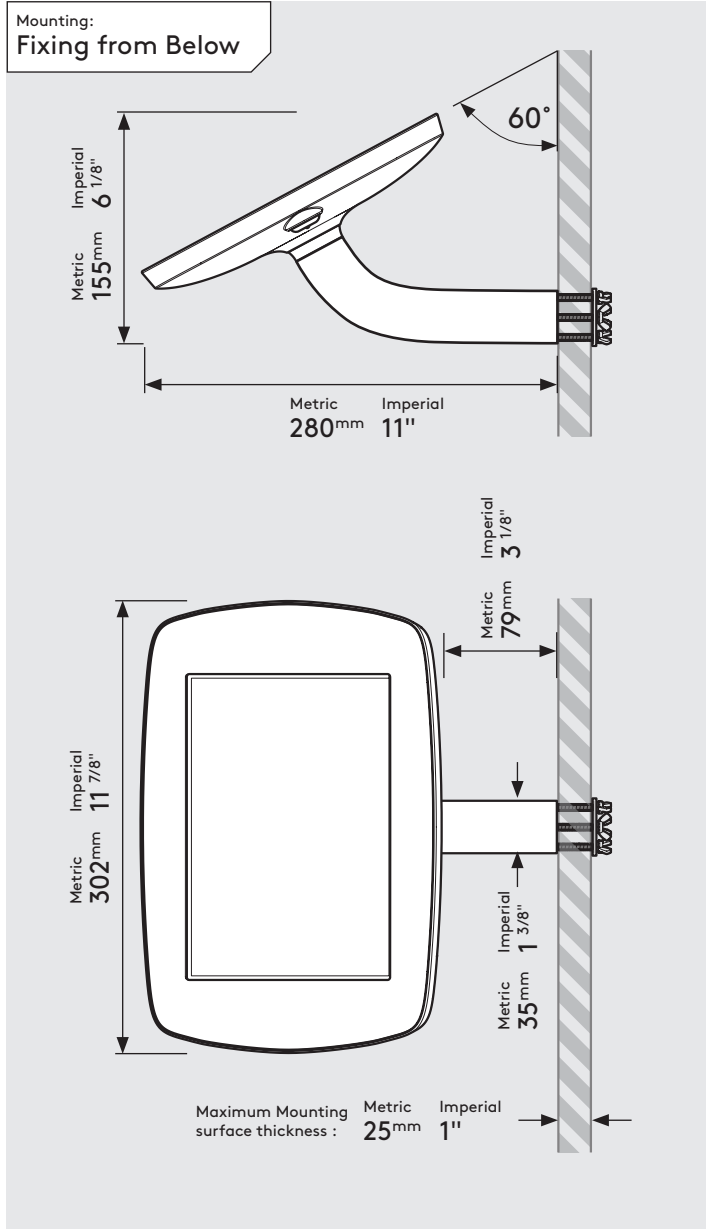
Case: Mini
Arm: Branch
Mounting: Fixing from **Below**
 Fixing from **Above**
Packaged weight: 1.71kg
Colour: White
 Black



PRODUCT DATA SHEET - BOUNCEPAD BRANCH

bouncepad[®]

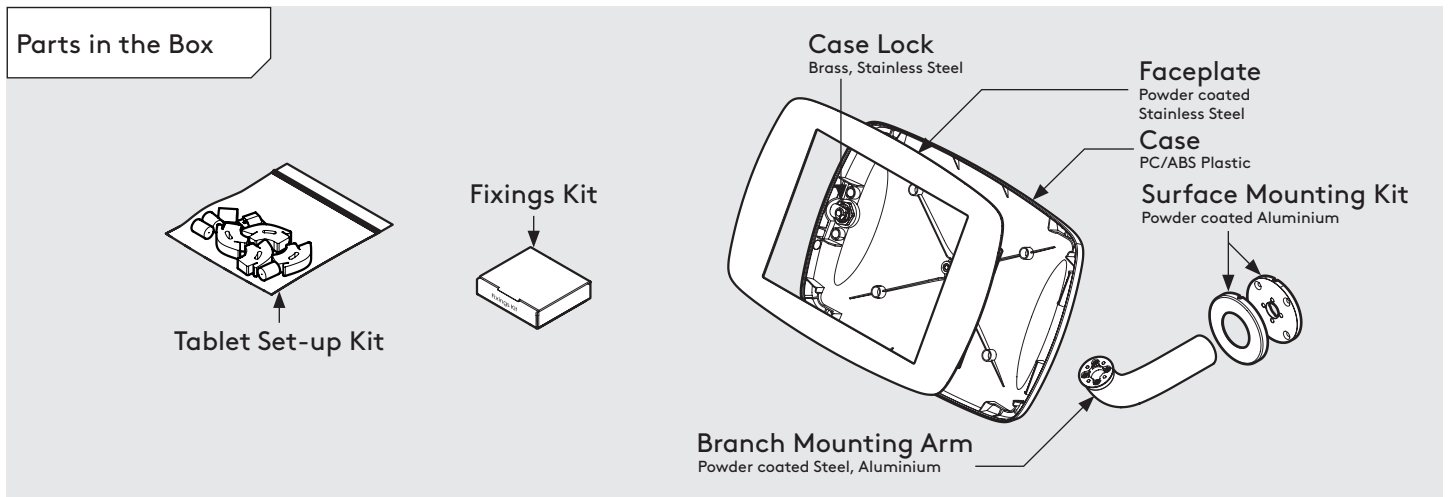
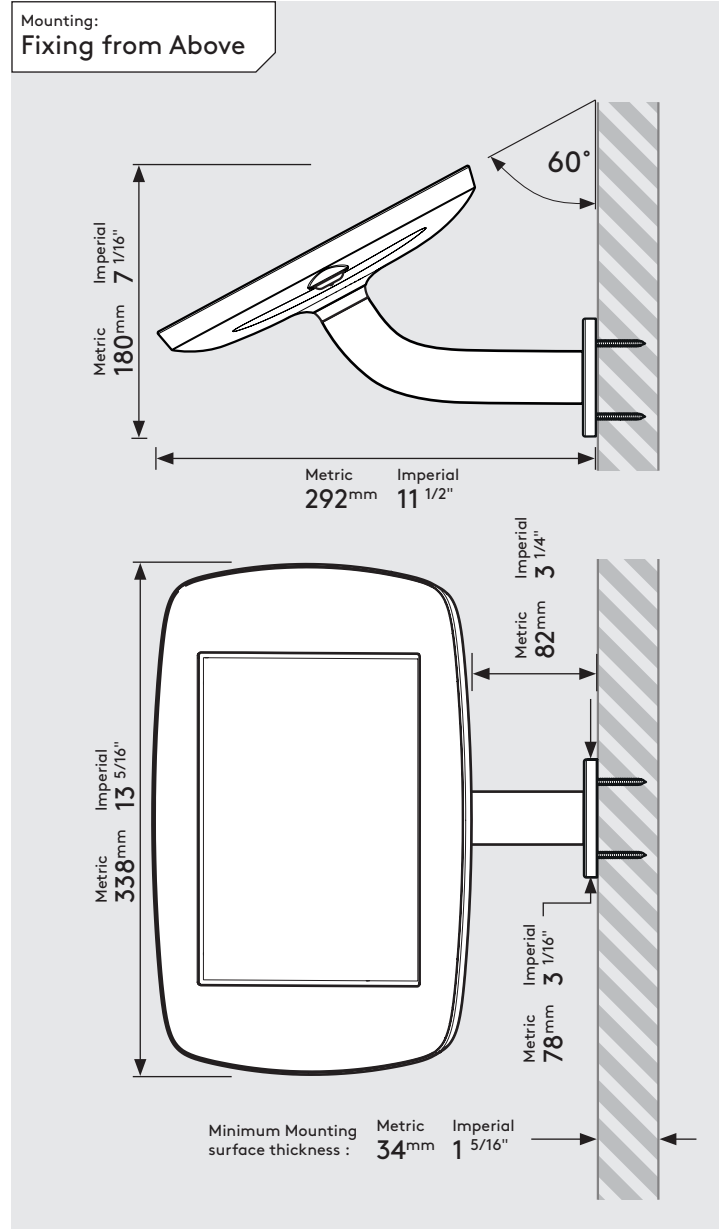
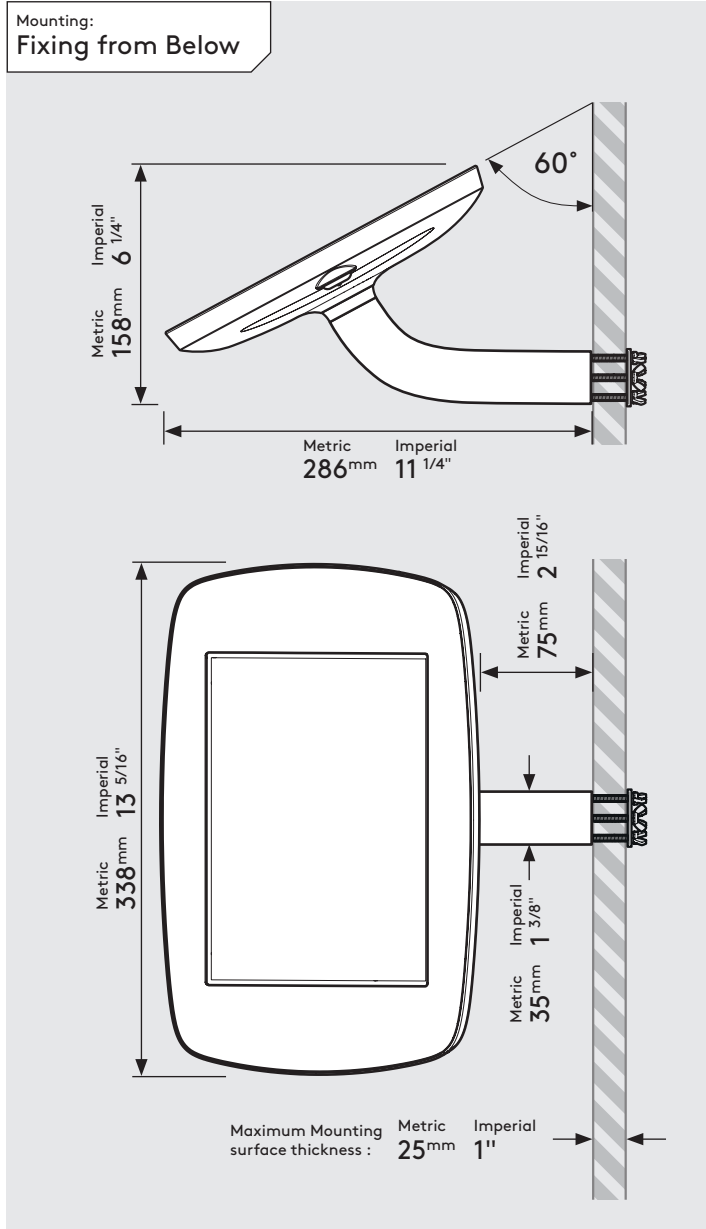
Case: Midi
Arm: Branch
Mounting: Fixing from **Below**
 Fixing from **Above**
Packaged weight: 1.89kg
Colour: White
 Black



PRODUCT DATA SHEET - BOUNCEPAD BRANCH

bouncepad[®]

Case:	Arm:	Mounting:	Packaged weight:	Colour:
Maxi	Branch	Fixing from Below	2.12kg	White Black
		Fixing from Above		



PRODUCT DATA SHEET - BOUNCEPAD BRANCH

bouncepad®

Case: Mega
Arm: Branch
Mounting: Fixing from Below
 Fixing from Above
Packaged weight: 2.51kg
Colour: White
 Black

