

3-in-1 Video camera, speaker
and microphone

RICOH
imagine. change.

RICOH 360 Meeting Hub



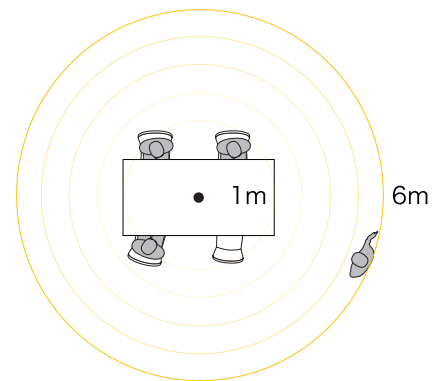
An Inclusive, Seamless Meeting Experience

The RICOH 360 Meeting Hub creates an immersive meeting experience where everyone feels like they are together in the same place.



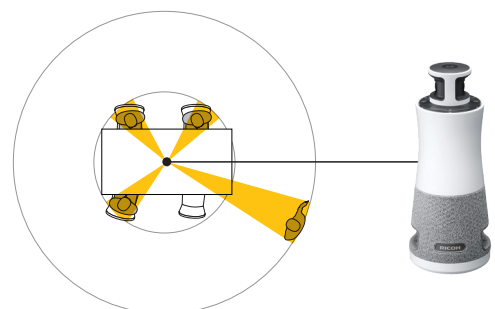
Realistic and life-like remote meeting

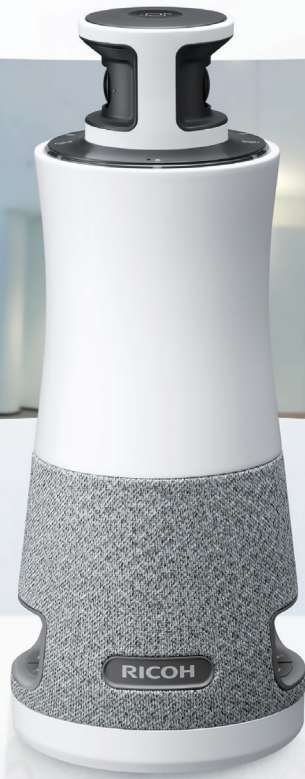
The RICOH 360 Meeting Hub is a 3-in-1 video camera, speaker and microphone that creates an immersive, realistic, and life-like meeting experience where in-person and remote participants can feel they are together in the same place. The device's panoramic 360-degree view coupled with voice pick-up from up to 6m away, gives everyone the confidence to take part.



Gives everyone the confidence to participate

Whole groups are displayed simultaneously so no one appears distant, and individuals attending remotely can see and hear everyone as if they were in person. The camera automatically focuses on speakers and adjusts the image so facial expressions are clear – even up to 3.6 meters away. In addition, Auto Gain Control functionality adjusts the volume so that all participants can be heard equally, and interactions can flow seamlessly.





Use anywhere for every audience and meeting

The device can be used anywhere for every audience and every meeting. Its lightweight, ergonomic design makes it easy to position on any flat surface – ideal for office meetings. Or it can be mounted on a tripod for stand-up meetings on the factory floor or at an event.



One-Touch Multiple Screen Layout Switching

A touch sensor on the unit means you can instantly switch between screen layout options to accommodate various meeting scenarios. Choose from 360-degree panoramic or split-screen 180-degree views, to display both sides of a meeting table. Up to 4 layout options are available with manually selected main speaker image highlighted or with other speakers in sidebar.



Stress-free and seamless to set up and use

Set-up and operation are stress-free and seamless – intuitive plug-and-play functionality means you simply plug the RICOH 360 Meeting Hub into a laptop with no need to configure multiple devices or install complicated software.



RICOH 360 Meeting Hub

Main unit

Model name		RICOH Meeting 360 V2		
Camera	Field of view (FOV)	Horizontal: 360°, Vertical: 42±2°		
	Image sensor	4K x 3K		
	Output resolution*1	1,920 x 1,080, 1,280 x 720		
	Frame rate*2	30 fps, 10 fps		
	Image processing	Auto White Balance, Auto Exposure, Anti-Flicker, LTM (Local Tone Mapping), Dewarping, Stitch, Cropping, Zoom (Scaler)		
Microphone	Method	Three-microphone array		
	Directivity	360°		
	Audio pickup range	20 ft (6.0 m) in closed environment		
	Audio processing	Mute, Auto Gain Control, Noise Reduction, Echo Cancellation		
Speaker	Wattage x Number of speakers	8 W x 3		
	Directivity	360°		
	Sound Pressure Level (SPL)	Power supply from AC adapter	91 dB (1 m)	
		Power supply from PC via USB Type-C cable	81 dB (1 m)	
Network*3	Ethernet	10BASE-T, 100BASE-TX, 1000BASE-T		
	Wireless LAN	802.11a/b/g/n/ac/ax		
Screen layout	Single unit	1. 360° panoramic image & Auto-selected speakers image [Default]		
		2. 360° panoramic image & Pin Screen image**4		
		3. 360° panoramic image & Pin Screen image with Auto-selected speakers image**4		
		4. 180° panoramic image x 2		
Size	Dimensions (W x D x H)	110.2 x 110.2 x 272.6 (mm) / 4.34 x 4.34 x 10.73 (inches)		
	Weight	1129 g / 2.49 lb		
Interface	USB Type-C port	2 ports (USB 2.0, USB 3.1, PD 3.0)		
	Ethernet port*5	RJ-45 x 1 port		
	Kensington security slot	Standard slot (3 mm x 7 mm) x 1 slot		
	USB Power delivery	Power supply from AC adapter	DC20 V / 2.25 A (max), AC100-240 V 50-60 Hz 1.7 A	
Power supply from PC via USB Type-C cable		DC5 V / 3 A (max)		
Power consumption*6	Power supply from AC adapter	45 W		
	Power supply from PC via USB Type-C cable	15 W		
Environmental condition	Temperature	10-32°C		
	Humidity	15-80% (No condensation)		
Operating environment	Supported OS	Windows 10, Version 1803 or later / Windows 11 (64-bit) / macOS 12 Monterey / macOS 13 Ventura / macOS 14 Sonoma (MacBook Air, MacBook Pro)**7		
Operation-checked video conferencing platforms		Microsoft Teams / Zoom / Cisco Webex® / Google Meet™		
Accessories		AC adapter 45 W (20 V 2.25 A), AC power plug, USB 3.1/2.0 m/3 A cable (Type-C to C) x 2, Warranty URL, Read This First, Quick Guide		
Recommended usage environment (When using the layout including active speakers' focus images)		Number of users*8: 1-8 person(s), Range of seated angle: 45 degrees per person Installation position: The main unit must be put within 3.6m away from person(s) speaking.		
Installation	Tripod screw thread	1/4 inch tripod screw hole on the bottom		
Standard warranty period		3 years		

*1 Frame rate is automatically switched depending on the speed of the web conference application in use. *2 With AC adapter: 30 fps / With power supply via PC: 10 fps *3 Network is used only on the occasion of firmware update. *4 Pin Screen is set by RICOH Meeting 360 Apps *5 Network is used only on the occasion of firmware update. *6 In case PC is compatible with USB power delivery (PD) *7 macOS is supported from July 2024. *8 The theoretical number of users the camera can capture ideally in this condition.

Free software / Downloadable software

Product name	RICOH Meeting 360 Apps for Windows / RICOH Meeting 360 Apps for Mac
Compatible OS	Windows 10, Version 1803 or later / Windows 11 (64-bit) / macOS 12 Monterey / macOS 13 Ventura / macOS 14 Sonoma (MacBook Air, MacBook Pro)

Note: Download the apps from RICOH's website. macOS is supported from July 2024.

Optional accessories*9

Product name	AC Adapter 45W for RICOH 360 Meeting Hub
Accessories	AC Adapter 45 W (20 V 2.25 A), 3 types of AC power plug (A / C / BF), Read This First, Quick Guide

*9 AC adapter 45W is originally included. However, it can be purchased as an option in case the supplied AC adapter is broken or a spare is needed.

Points to note for the use of the product

● This product cannot be connected to the network of WPA2™ Enterprise. ● Web conference applications that don't support the resolution of 1920 x 1080 pixels are not compatible with this product. ● This product should be basically used in conjunction with a Web conferencing system. It is necessary to subscribe to a Web conferencing service that has been verified to work properly. ● Please note that this product is compatible with Windows 10/11; it is not compatible with macOS. ● This product should not be used in a virtual desktop environment such as a thin client or remote desktop.

All brand and/or product names are trademarks of their respective owners. Specifications and external appearance are subject to change without notice. Copyright © 2024 Ricoh Company, Ltd. All rights reserved. This brochure, its contents and/or layout may not be modified and/or adapted, copied in part or in whole and/or incorporated into other works without the prior written permission of Ricoh Company, Ltd.