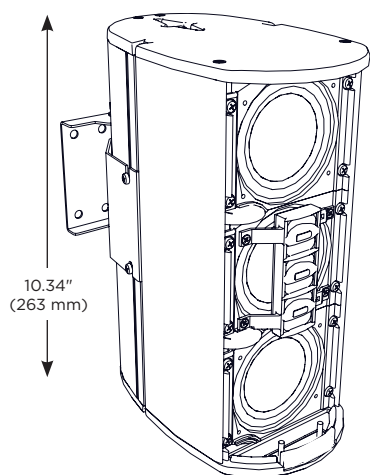


DATA SHEET

DESONO E Series

ENT203

TWO-WAY, COMPACT COLUMN POINT SOURCE LOUDSPEAKER



Shown with grille off

FEATURES

- Zoom Certified
- Advanced passive crossover technology and dynamic protection circuitry
- Compact Ribbon Emulator high frequency technology for narrow, well-behaved directivity control
- All-weather construction for indoor/outdoor use
- Simple installation using the included pan-tilt mounting bracket
- Selectable low impedance or 70V/100V operation

TECHNICAL SPECIFICATIONS¹

Operating Mode	Passive		
Operating Environment	Indoor or outdoor		
Operating Range ²	150 Hz to 22 kHz		
Nominal Beamwidth (H x V)	140° x 40°		
Transducers	LF 3 x 80mm long excursion mylar driver HF 1 x 3-element Compact Ribbon Emulator		
Continuous Power Handling ³ @ Nominal Impedance	Passive	35V	75W @ 16Ω (300W peak)
Autoformer	70 V	100 V	
	30 W	30 W	
	15 W	15 W	
	7.5 W	7.5 W	
	3.75 W	3.75 W	
Nominal Sensitivity ⁴	Passive	@ 1 W 92 dB	@ 2.83 V 89 dB
	Nominal Maximum SPL ⁵ (Whole Space)	Passive	Peak 117 dB
Equalized Sensitivity ⁶		System	@ 1 W 91 dB
Equalized Maximum SPL ⁷	System	Peak 116 dB	Continuous 110 dB
Required Accessories	External High Pass Filter - 150 Hz, 24 dB /octave Digital Signal Processor		
Recommended Amplifiers	Passive	75 W - 150 W @ 16 Ω (35 V - 49 V)	

APPLICATIONS

Houses of worship · Bars and restaurants
 Conference rooms · Court rooms · Auditoria
 Theaters · Museums · Airports
 Train stations · Stadium concourses
 Multipurpose outdoor and indoor venues
 Delay fill in larger venues

DESCRIPTION

Available in four sizes, the Desono™ ENT200 models have been expertly engineered to serve the wide range of applications routinely encountered by professional sound contractors. Possessing advanced features, highly-focused dispersion patterns, weather-resistant construction, and most importantly sonic excellence, ENT200 columns make installations not only fast and simple, but as functionally effective as possible.

The smallest of the ENT200 columns, the Desono ENT203, and is an excellent choice when sonic clarity and predictable directional control are required from a diminutive and unobtrusive loudspeaker system. The ENT203 employs three high-power LF cone drivers and one CRE (Compact Ribbon Emulator) HF tweeter array in a two-way, single-amped configuration.

Typical applications include music and speech reinforcement for small houses of worship, hotel meeting rooms, transit stations, background and foreground music for hotels, resorts and themed attractions, and much more. Additionally, the ENT203 complements and supports larger loudspeakers when used for delay fill or area fill, particularly in reverberant environments where controlled directivity is vital for intelligibility.

PHYSICAL

Input Connection	NL4-type connector for low impedance operation, and 8-position terminal strip for low impedance or constant voltage operation
Mounting Points	Small pan-tilt mounting bracket included (14° down-tilt, ± 55° panning)
Included Accessories	Mounting bracket; Input wiring cover; Spacers; Hanging kit
Environmental	IP54 per IEC 60529, designed in accordance with MIL-STD-810G Included ABS plastic rain cover with integrated cable inlet and 1" (25.4mm) knockout for conduit ingress
Dimensions H x W x D	10.34" x 4.63" x 7.48" (263 mm x 118 mm x 190 mm)
Weight	9 lbs (4.1 kg)
Finish	Refer to the Technical Drawing (page 3)

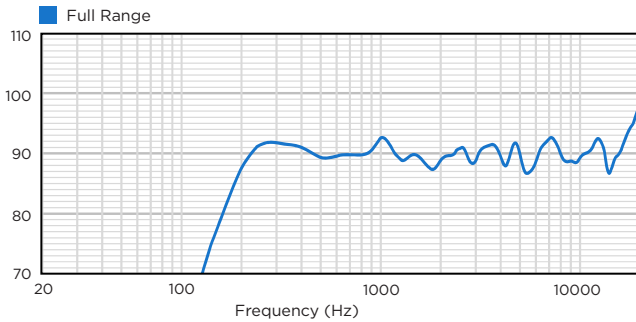
OPTIONS

Accessories	E200-UMK universal mounting kit E200-SAK stand adapter kit
-------------	---

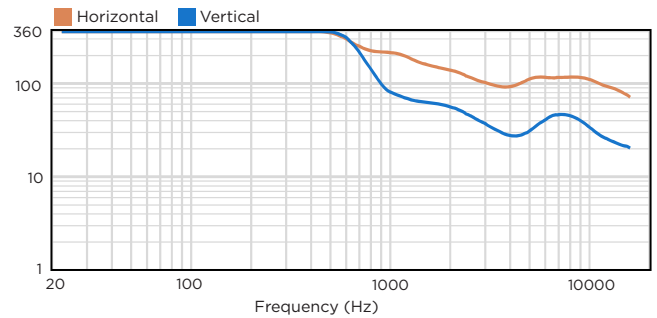
DESONO E Series

ENT203 TWO-WAY, COMPACT COLUMN POINT SOURCE LOUDSPEAKER

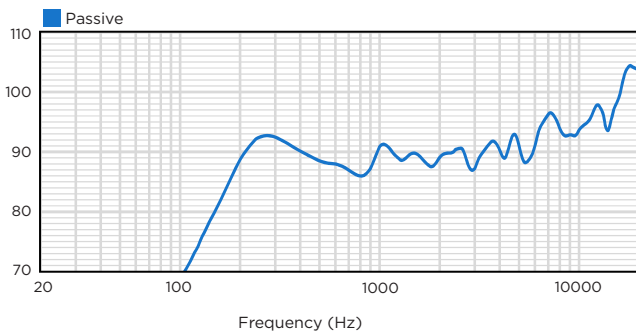
AXIAL PROCESSED RESPONSE (dB)⁸



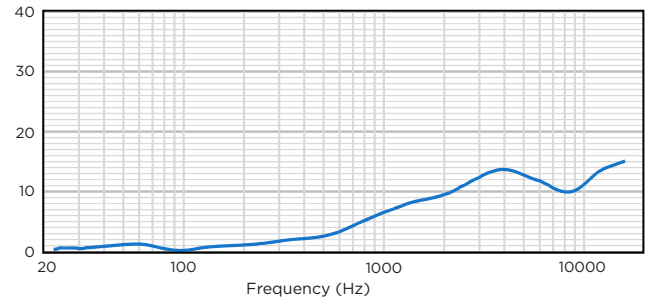
BEAMWIDTH (Degrees)¹¹



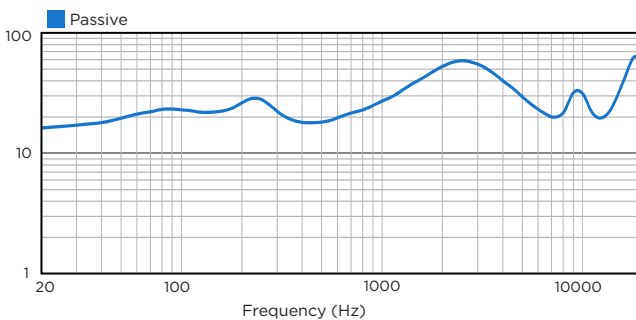
AXIAL SENSITIVITY (dB SPL)⁹



DIRECTIVITY INDEX (dB)¹⁰



IMPEDANCE (Ohms)



Minimum Impedance: 18 Ω @ 450 Hz

ARCHITECTURAL SPECIFICATIONS

The loudspeaker system shall be a two-way, full-range column array system with three 80mm long excursion mylar low frequency transducers and one three-element Compact Ribbon Emulator direct-radiating high frequency transducer. The drivers shall be connected to an integral crossover with an HF crossover frequency of 5000 Hz, and dynamic driver protection circuitry. There shall be one eight-terminal barrier strip, and an NL4-type connector on a recessed input panel. The system shall be equipped with a 30W high performance autoformer for use in 70.7V or 100V distributed audio systems, with 30W, 15W, 7.5W, 3.75W, and 1.88W taps available in 70.7V distributed systems (30W, 15W, 7.5W and 3.75W taps available in 100V distributed systems). The paintable enclosure shall be constructed of high-gloss PVC. The front of the enclosure shall be fitted with a powder-coated perforated marine-grade aluminum grille backed with foam or fabric. A pan-tilt mounting bracket is included that will allow the system to have a down-tilt of up to 22.5° and a panning angle of +/- 55°. The system shall have an operating range of 150 Hz to 22 kHz (-10 dB) and a low impedance (16Ω) input capability of 35V RMS. The sensitivity on-axis at one meter with a power input of 1 watt shall be 92 dB. The nominal dispersion shall be 140° H x 40° V. Dimensions shall be 10.34 inches (263 mm) high, 4.63 inches (118 mm) wide and 7.48 inches (190 mm) deep, with a loudspeaker weight of 9 lbs (4.1 kg). The loudspeaker system shall be a Desono ENT203.

DESONO E Series

ENT203 TWO-WAY, COMPACT COLUMN POINT SOURCE LOUDSPEAKER

TECHNICAL DRAWING / DIMENSIONS / FINISH

H x W x D

10.34" x 4.63" x 7.48"
(263 mm x 118 mm x 190 mm)

Unit Weight

9 lbs (4.1 kg) loudspeaker and mount

Shipping Weight

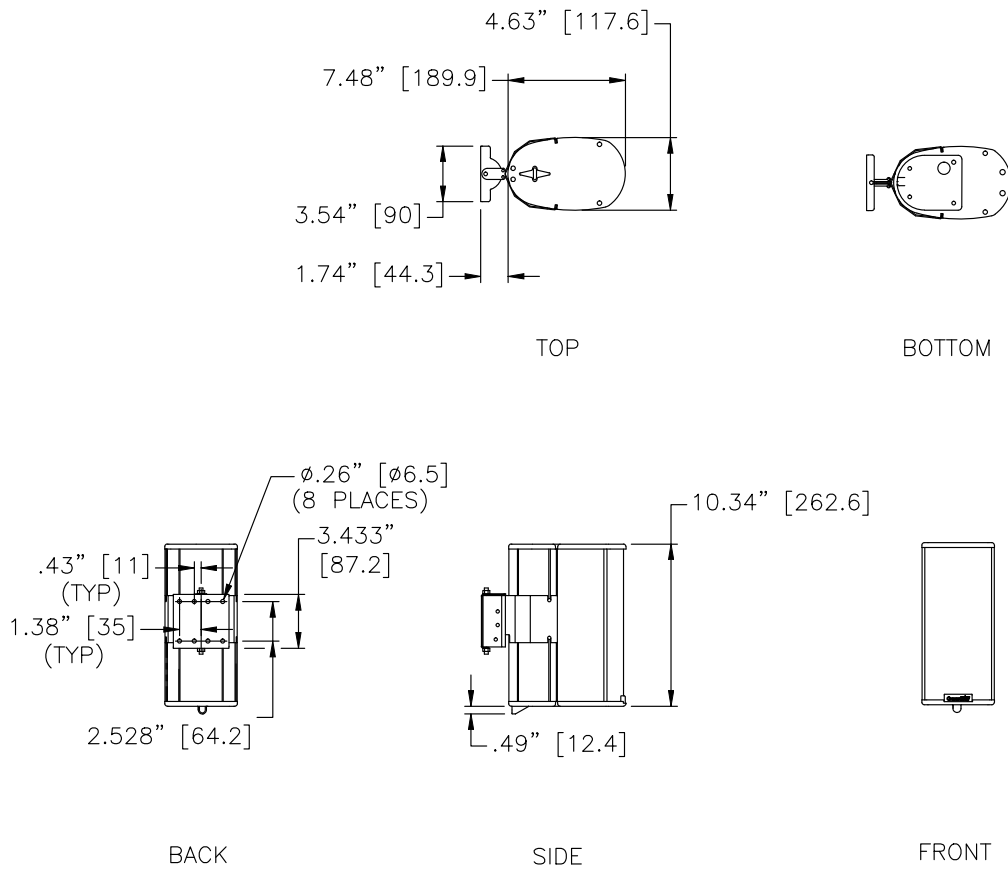
12 lbs (5.4 kg)

Grille:

Powder-coated perforated marine-grade aluminum backed with color-matched foam or fabric backing. Black (RAL#9004) or White (RAL#9003)

Enclosure / Finish

Black or White high gloss extruded paintable PVC

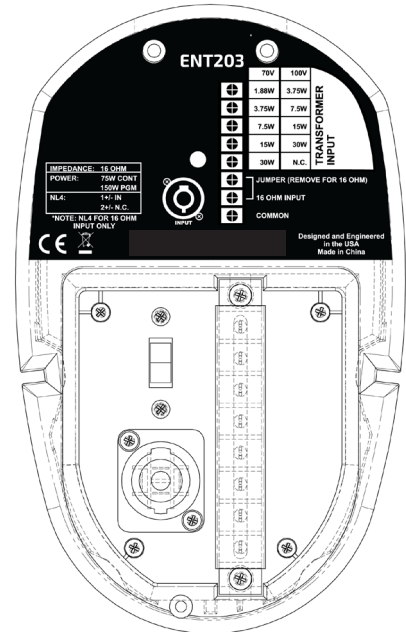
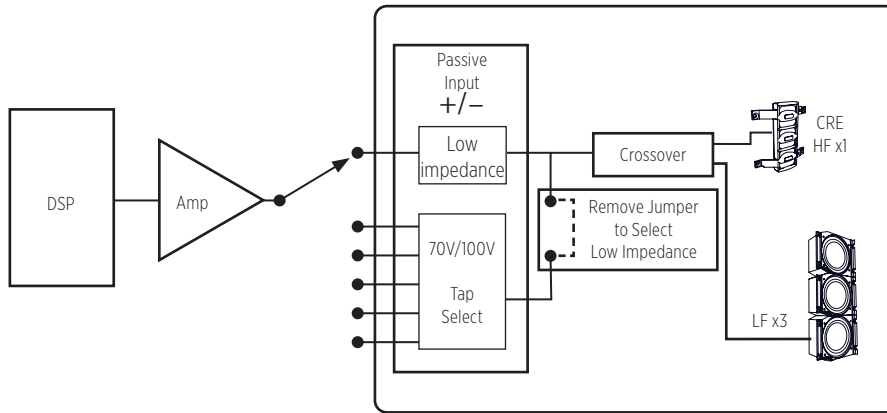


DESONO E Series

ENT203

TWO-WAY, COMPACT
COLUMN POINT SOURCE LOUDSPEAKER

CONNECTION DIAGRAMS



Input panel

NOTES

- PERFORMANCE SPECIFICATIONS** All measurements are taken indoors using a time-windowed and processed signal to eliminate room effects, approximating an anechoic environment, a distance of 6.0 m. All acoustic specifications are rounded to the nearest whole number. An external DSP using settings provided by Biamp is required to achieve the specified performance; further performance gains can be realized using the FIR loudspeaker optimization presets available in Biamp's Community Amplified Loudspeaker Controllers (ALC SERIES).
- OPERATING RANGE** The frequency range in which the on-axis processed response remains within 10dB of the average SPL.
- CONTINUOUS POWER HANDLING** Maximum continuous input voltage (and the equivalent power rating, in watts, at the stated nominal impedance) that the system can withstand, without damage, for a period of 2 hours using an EIA-426-B defined spectrum; with recommended signal processing and protection filters.
- NOMINAL SENSITIVITY** Averaged SPL over the operating range with an input voltage that would produce 1 watt at the nominal impedance and the averaged SPL over the operating range with a fixed input voltage of 2.83V, respectively; swept sine wave axial measurements with no external processing applied in whole space, except where indicated.
- NOMINAL MAXIMUM SPL** Calculated based on nominal / peak power handling, respectively, and nominal sensitivity; exclusive of power compression.
- EQUALIZED SENSITIVITY** The respective SPL levels produced when an EIA-426-B signal is applied to the equalized loudspeaker system at a level which produces a total power of 1 watt, in sum, to the loudspeaker subsections and also at a level which produces a total voltage, in sum, of 2.83V to the loudspeaker subsections, respectively; each referenced to a distance of 1 meter.
- EQUALIZED MAXIMUM SPL** The SPL produced when an EIA-426-B signal is applied to the equalized loudspeaker system, at a level which drives at least one subsection to its rated continuous input voltage limit, referenced to a distance of 1 meter. The peak SPL represents the 2:1 (6dB) crest factor of the EIA-426-B test signal.
- AXIAL PROCESSED RESPONSE** The on-axis variation in acoustic output level with frequency of the complete loudspeaker system with recommended signal processing applied. 1/6 octave Gaussian smoothing applied.
- AXIAL SENSITIVITY** The on-axis variation in acoustic output level with frequency for a 1 watt swept sine wave, referenced to 1 meter with no signal processing. 1/6 octave Gaussian smoothing applied.
- DIRECTIVITY INDEX** The ratio of the on-axis SPL squared to the mean squared SPL at the same distance for all points within the measurement sphere for each given frequency; expressed in dB. 1/6 octave Gaussian smoothing applied.
- BEAMWIDTH** The angle between the -6dB points in the polar response of the loudspeaker when driven in the operating mode which utilizes the largest number of individually amplified pass bands. 1/6 octave Gaussian smoothing applied.

Data presented on this spec sheet represents a selection of the basic performance specifications for the model. These specifications are intended to allow the user to perform a fair, straightforward evaluation and comparison with other loudspeaker spec sheets. For a detailed analysis of this loudspeaker's performance, please download the GLL file and/or the CLF file from our website: biamp.com

CAUTION: Installation of loudspeakers should only be performed by trained and qualified personnel. It is strongly recommended that a licensed and certified professional structural engineer approve the mounting design.