

3-in-1 camera-mic-speaker for  
web conference

# RICOH Meeting 360 V2

**RICOH**  
imagine. change.



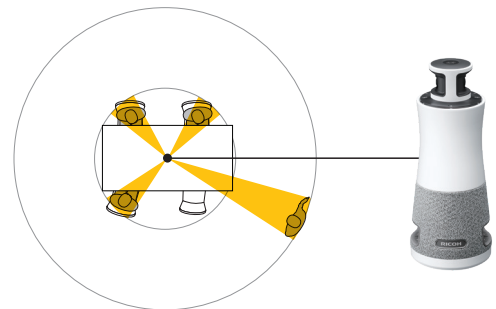
# RICOH Meeting 360 V2

This smart 3-in-1 video conferencing system instantly turns online meetings into effective interactive experience and improves engagement and productivity in hybrid working. Immerse yourself in a fully involving hybrid conference with RICOH Meeting 360 V2.



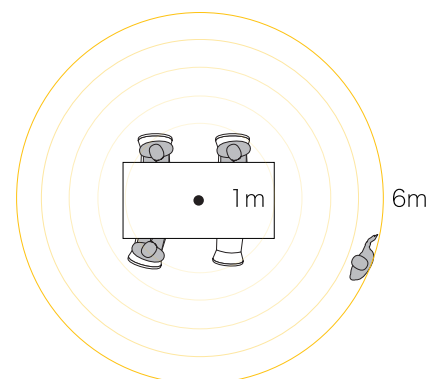
## 360° panoramic image & active speakers' focus images

High-resolution 360° panoramic cameras capture vivid images of meeting attendees including subtle facial expressions to deliver a truly welcoming meeting environment. Advanced audio-visual active speaker detection enables quick and automatic switching and display images of "active speakers" who give speeches, thanks to its speaker focus accuracy. Screen image is automatically split and image size of active attendees is optimally adjusted.

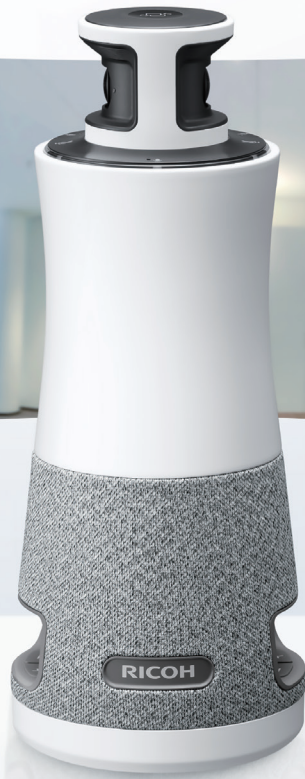


## High-quality sound

RICOH Meeting 360 V2 can pick up voices audible within 6 meters from any direction up to 360°. Just like the fisheye camera, its microphones also capture voices from all directions of 360°. Regardless of distance within 6 meters from this product, the sound volume is automatically adjusted to the same level. You don't need to manually adjust the volume, thanks to the auto gain control and audio quality.







## Dual-unit connection for a bigger meeting

RICOH Meeting 360 V2 supports a meeting that has up to eight people in the room. However, if sharing a meeting in a bigger place like a boardroom that includes 12 people for example, connecting two units of the Meeting 360 V2 (Dual-unit connection) could be the solution.

Even for such a meeting in a big room, all attendees are connected, and active speaker images up to 6 people can be focused and are shared by all participants.

\* Dual-unit connection will be available in 2024.



## Screen layout switching

RICOH Meeting 360 V2 provides variations of screen layouts that always include 360° panoramic view, and these layouts can be easily switched by single touch on a hardware button or via application.



## User-friendly design

One of the strengths of RICOH Meeting 360 V2 is simple plug and play design that can finish setup by only connecting this product with a PC via a USB Type-C port.

Since the hard controller is placed on two sides of the device, sound volume adjustment and mute can be operated from both sides of the meeting table. This easy-to-handle, hourglass-shaped system can be a powerful companion in organizing your team communications.



## RICOH Meeting 360 V2

### Main unit

Product name		RICOH Meeting 360 V2	
EDP code	NA	432688	
	Europe	432687	
Camera	Field of view (FOV)		Horizontal: 360°, Vertical: 42±2°
	Image sensor		4K x 3K
	Output resolution*1		1,920 x 1,080, 1,280 x 720
	Frame rate*2		30 fps, 10 fps
	Image processing		Auto White Balance, Auto Exposure, Anti-Flicker, LTM (Local Tone Mapping), Dewarping, Stitch, Cropping, Zoom (Scalar)
Microphone	Method		Three-microphone array
	Directivity		360°
	Audio pickup range		20 ft (6.0 m) in closed environment
	Audio processing		Mute, Auto Gain Control, Noise Reduction, Echo Cancellation
Speaker	Wattage x Number of speakers		8 W x 3
	Directivity		360°
	Sound Pressure Level (SPL)	Power supply from AC adapter	91 dB (1 m)
		Power supply from PC via USB Type-C cable	81 dB (1 m)
Network*3	Ethernet	10BASE-T, 100BASE-TX, 1000BASE-T	
	Wireless LAN	802.11a/b/g/n/ac	
Screen layout	Single unit*4	1. 360° panoramic image & Auto-selected speakers image [Default]	
		2. 360° panoramic image & Pin Screen image*5	
		3. 360° panoramic image & Pin Screen image with Auto-selected speakers image*5	
		4. 180° panoramic image x 2	
	Dual-unit connection*6*7	1. 360° panoramic image & Auto-selected speakers image [Default]	
		2. 360° panoramic image & Pin Screen image*8	
		3. 360° panoramic image & Pin Screen image with Auto-selected speakers image*8	
		4. 360° panoramic image x 2	
		5. Auto-selected speakers image	
Size	Dimensions (W x D x H)		110.2 x 110.2 x 272.6 (mm) / 4.34 x 4.34 x 10.73 (inches)
	Weight		1129 g / 2.49 lb
Interface	USB Type-C port		2 ports (USB 2.0, USB 3.1, PD 3.0)
	Ethernet port*9		RJ-45 x 1 port
	Kensington security slot		Standard slot (3 mm x 7 mm) x 1 slot
	USB Power delivery	Power supply from AC adapter	DC20 V / 2.25 A (max), AC100-240 V 50-60 Hz 1.7 A
Power supply from PC via USB Type-C cable		DC5 V / 3 A (max)	
Power consumption*10	Power supply from AC adapter		45 W
	Power supply from PC via USB Type-C cable		15 W
Environmental condition	Temperature		10-32°C
	Humidity		15-80% (No condensation)
Operating environment	Supported OS*11		
Operation-checked video conferencing platforms*12	Windows 10 version, 1803 or higher / Windows 11 (64bit) / macOS*11		
Accessories	Microsoft Teams*13 / Zoom / Cisco Webex® / Google Meet™		
Recommended usage environment (When using the layout including active speakers' focus images)	AC adapter 45 W (20 V 2.25 A), AC power plug*14, USB 3.1/2.0 m/3 A cable (Type-C to C) x 2, Warranty URL, Read This First, Quick Guide		
Installation	Tripod screw thread		1/4 inch tripod screw hole on the bottom
Standard warranty period	2 years		

\*1 Frame rate is automatically switched depending on the speed of the web conference application in use. \*2 With AC adapter: 30 fps / With power supply via PC: 10 fps \*3 Network is used only on the occasion of firmware update. \*4 Up to 3 speakers are closed-up and displayed \*5 Pin Screen is set by RICOH Meeting 360 Apps \*6 Up to 3 persons/unit, total 6 persons are closed-up and displayed \*7 Dual-unit connection is scheduled to be available in 2024. The layout patterns may change without prior notice. \*8 Pin Screen is set by RICOH Meeting 360 Apps \*9 Network is used only on the occasion of firmware update. \*10 In case PC is compatible with USB power delivery (PD) \*11 macOS is scheduled to be compatible in 2024. \*12 Operation-checked on browser\*13: Google Chrome® \*13 Non-certified \*14 The type of the AC power plug varies, depending on the country where this device is used. \*15 The theoretical number of users the camera can capture ideally in this condition.

### Free software / Downloadable software

Product name	RICOH Meeting 360 Apps for Windows
Compatible OS	Windows 10 version, 1803 or higher / Windows 11 (64bit) / macOS*16

Note: Download the RICOH Meeting 360 Apps for Windows from RICOH's web site.  
\*16 macOS is scheduled to be compatible in 2024.

### Optional accessories\*17

Product name	AC Adapter 45W for RICOH Meeting 360 V2
EDP code	432689
Accessories	AC Adapter 45 W ( 20 V 2.25 A), 3 types of AC power plug ( A / C / BF), Read This First, Quick Guide

\*17 AC adapter 45W is originally included. However, it can be purchased as an option in case the supplied AC adapter is broken or a spare is needed.

### Points to note for the use of the product

● This product cannot be connected to the network of WPA2™ Enterprise. ● Web conference applications that don't support the resolution of 1920 x 1080 pixels are not compatible with this product. ● The USB port on this product is USB Type-C. The USB cable supplied with the product is also Type-C at both ends. If using a USB cable of another type for PC connection, please prepare the cable. ● When setting up the product, do not place it on an unstable desk or table, but set it horizontally. The product should be placed at least 65 cm away from walls and displays, and no objects should be placed around the product that may interfere with image and sound capturing. ● This product should be basically used in conjunction with a Web conferencing system. It is necessary to subscribe to a Web conferencing service that has been verified to work properly. ● Please note that this product is compatible with Windows 10/11; it is not compatible with macOS. ● This product should not be used in a virtual desktop environment such as a thin client or remote desktop. ● When this product is connected to a PC, it is recognized as a single network communication path (network adapter). Depending on the computer configuration and onboard software, the network settings may switch automatically.

All brand and/or product names are trademarks of their respective owners. Specifications and external appearance are subject to change without notice. The colour of the actual product may vary from the colour shown in the brochure. The images in this brochure are not real photographs and slight differences in detail might appear. Copyright © 2024 Ricoh Company, Ltd. All rights reserved. This brochure, its contents and/or layout may not be modified and/or adapted, copied in part or in whole and/or incorporated into other works without the prior written permission of Ricoh Company, Ltd.