

# USB-C 10Gbps Cable – Model D

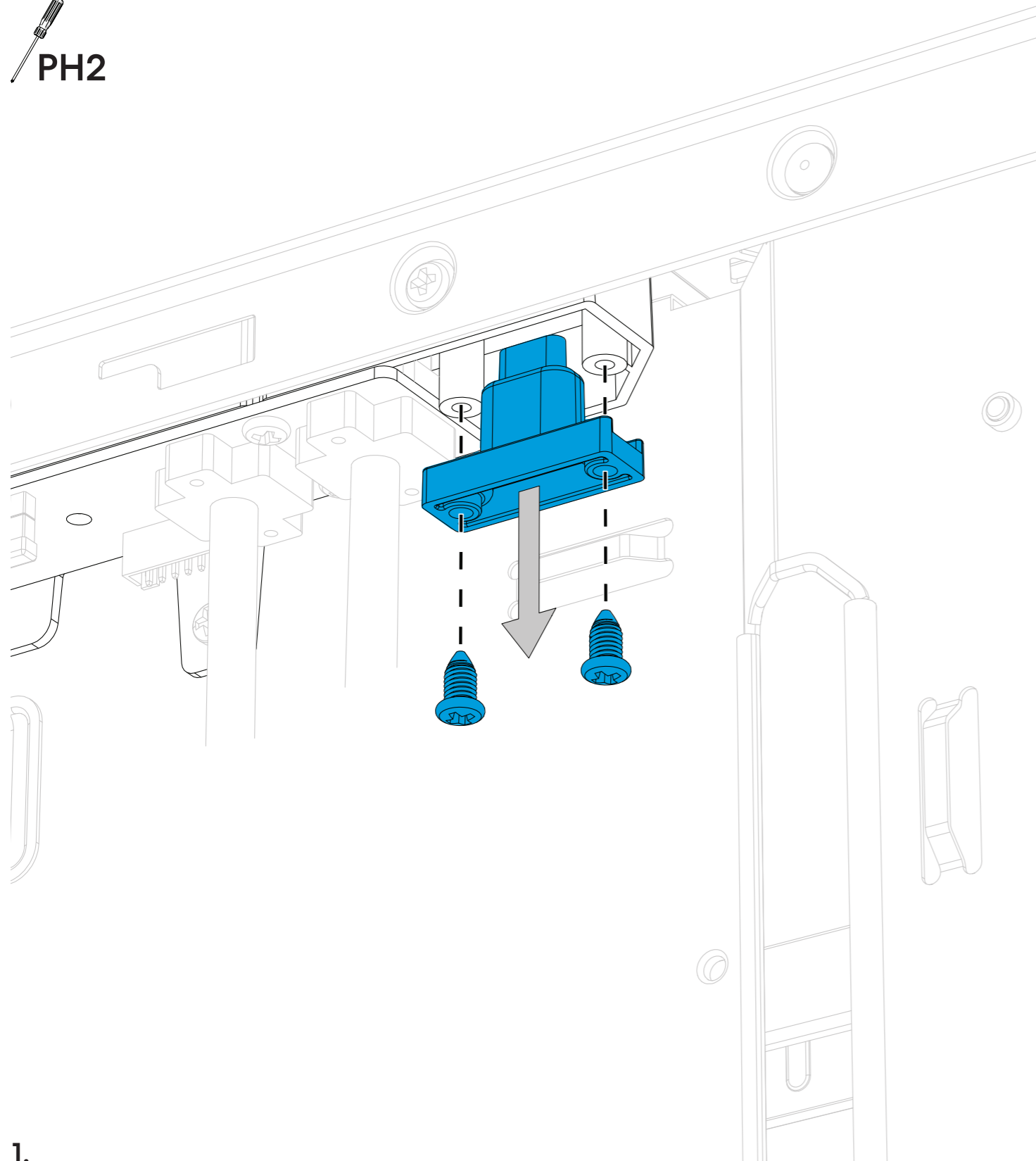
## Installation guide



Remove the USB Type-C cover



PH2

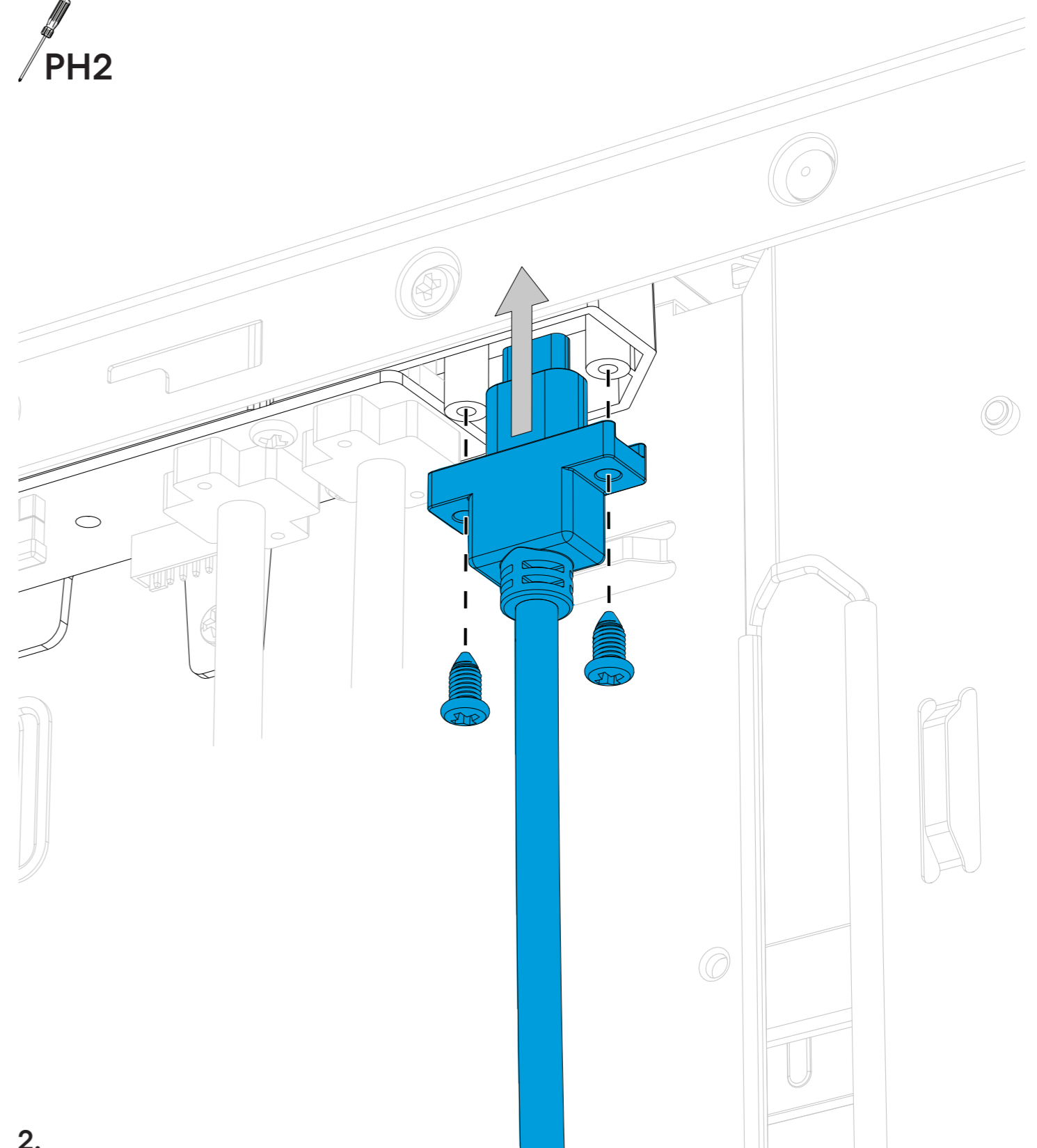


1.

Install the USB-C 10Gbps Cable – Model D Add-on



PH2



2.