



## FEATURES

- 1 CENTRIS® FINGERTIP TILT**  
Effortlessly adjust display using Centris fingertip tilt technology. Screen angle stays set until you decide to readjust.
- 2 TELESCOPING HEIGHT ADJUSTMENT**  
Integrated knob provides tool-less telescoping adjustment from 4 ft (120 cm) to 7 ft (210 cm).
- 3 CLICKCONNECT® LATCHING**  
Hear an audible click when the screen engages with the mount. Easy to connect/disconnect - no tools needed!
- 4 PORTRAIT/LANDSCAPE CAPABILITY**  
Mounts in either portrait or landscape position.
- 5 CABLE MANAGEMENT**  
Flexible covers hide cables for a clean installation.



## SPECIFICATIONS

Dimensions* (HxWxD)	91" x 36" x 30" (231.1 x 91.4 x 76.2 cm)
Center of Screen Height	4 - 7' (122 - 213 cm)
Tilt	±15°
Weight Capacity	200 lbs (90.7 kg)
Colors	Black, Silver

\* Dimensions do not include interface bracket

## WHAT YOU NEED TO KNOW

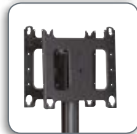
### OTHER PRODUCT OPTIONS



**MF1**  
30-55" Single Floor Stand

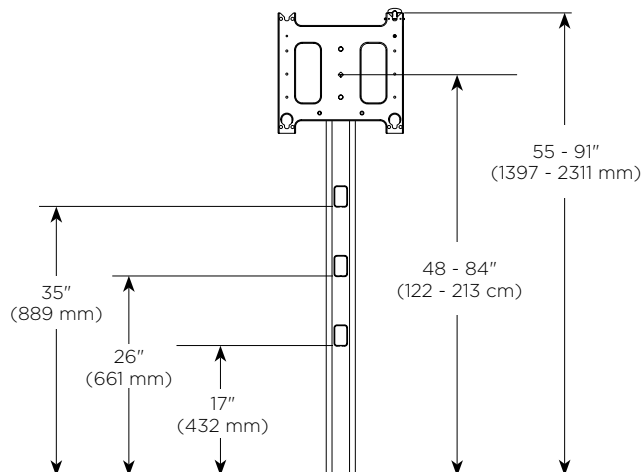


**MF2**  
30-55" Dual Back-to-Back Floor Stand



**PF2**  
42-71" Dual Back-to-Back Floor Stand

## TECHNICAL DRAWINGS



## RECOMMENDED ACCESSORIES



**PAC710** Accessory Shelf



**PAC720** Dual Display Accessory



**PAC717** Literature Shelf

For a complete list of cart & stand accessories see pages **93 - 94**.