

# AP-500H-MNT1 Mount Kit

## Installation Guide

The AP-500H-MNT1 Mount kit may be used to secure a 500H Series access point to a single-gang wall box according to the installation procedure provided in the following sections.



---

A #1 Phillips and T8H screwdriver are required for installation.

---

### Package Contents

- AP-500H-MNT1 plastic mount bracket
- (x2) #6-32x1 Phillips drive screws
- (x1) M2.5 x 6.5 T8H Security Type Tamper Proof Torx Screw
- (x2) Phillips drive wood screws
- (x2) Plastic anchors

### Installation with Wall Box



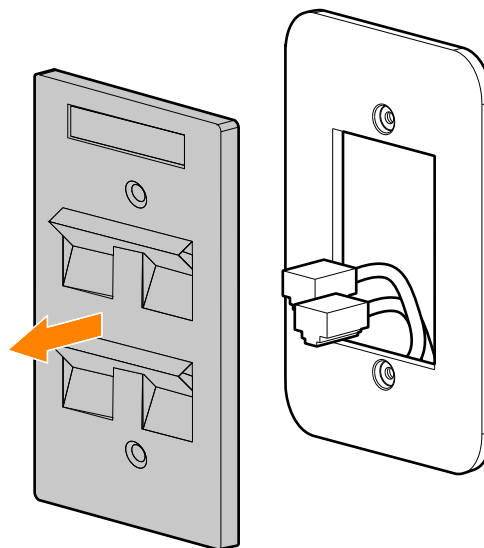
---

The instructions in this guide show the single gang wall box installation using AP-505H but may also be used for AP-503H.

---

1. If the wall box is not already exposed, unscrew and remove the existing wall plate, as shown in [Figure 1](#).

**Figure 1** *Remove Existing Wall Plate*

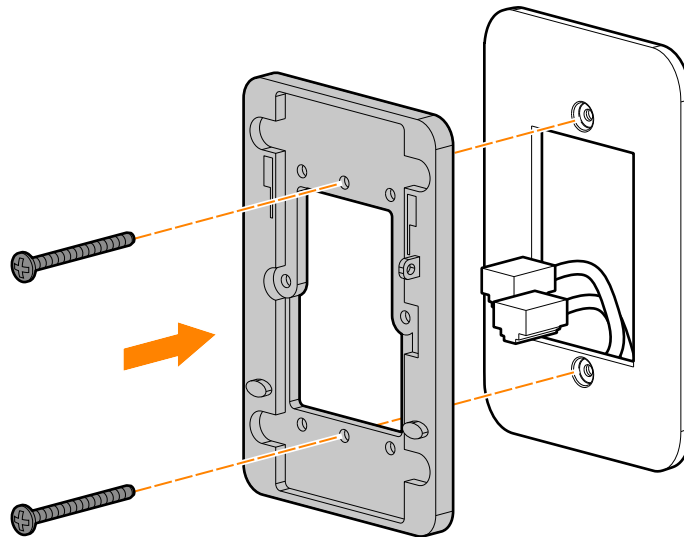


2. If needed, detach any RJ45 cables by unclipping the connectors from the wall plate.



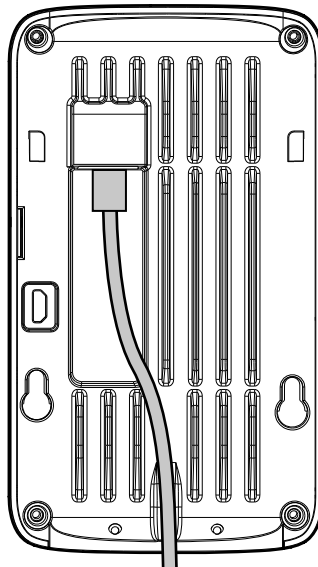
3. Align the screw holes on the mounting bracket with the corresponding holes on the single gang wall box.
4. Screw the wall mount onto the wall box using the #6-32x1 Phillip screws, as shown in [Figure 2](#).

**Figure 2** Attach Wall Mount to Single Gang Wall Box



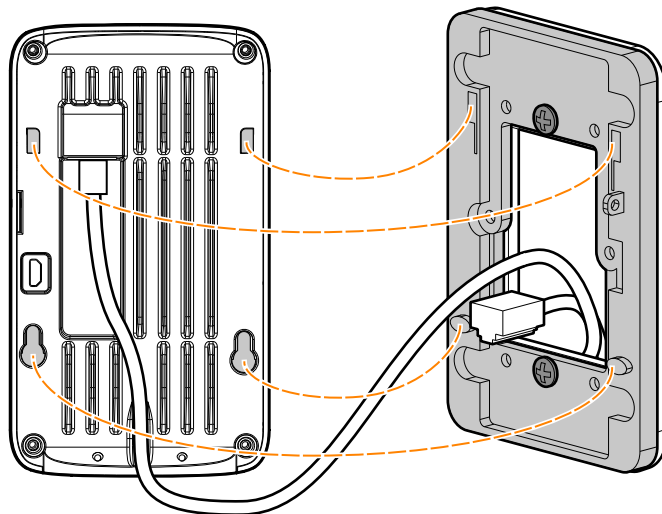
5. Attach an active Ethernet cable to the E0 port located on the back of the access point. Make sure the Ethernet cable follows the path printed on the bottom of the access point, as shown in [Figure 3](#)

**Figure 3** Route Ethernet Cable Using Bottom Center Pad Printing



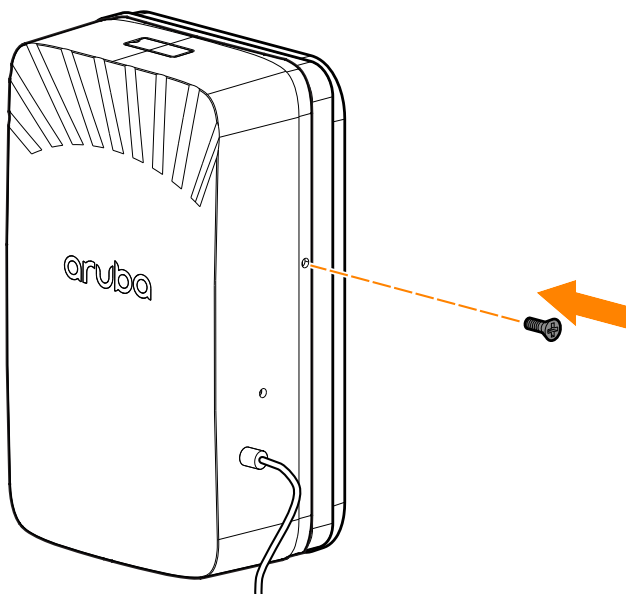
6. Align the slots on the back of the access point against the guide posts and slots on the mount, then slide the access point down, as shown in [Figure 4](#).

**Figure 4** *Align Slots on Access Point with Mount and Slide Down*



7. Once the access point is attached to the wall mount, insert and fasten the security screw on the right side of the mount, as shown in [Figure 5](#).

**Figure 5** *Screw In Security Screw*



8. (Optional) If the access point requires a DC power adapter, a power cable may be inserted into the socket located on the side of the access point.

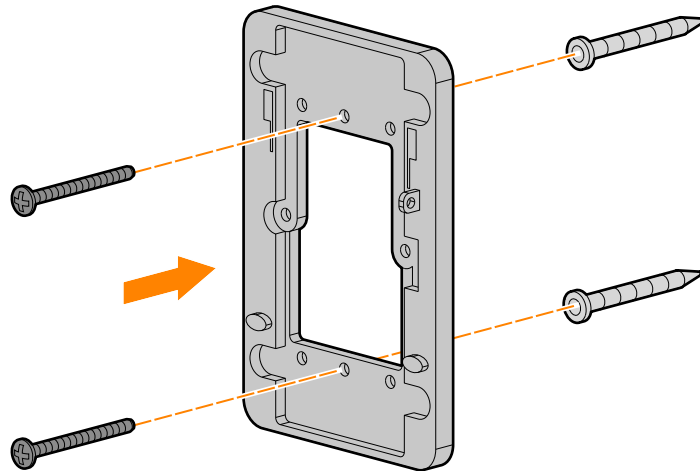
## Installation on Flat Surface



The instructions in this guide show the installation of AP-505H directly on a flat wall. Instructions are also applicable for AP-503H. This installation solution is not recommended for use on ceilings.

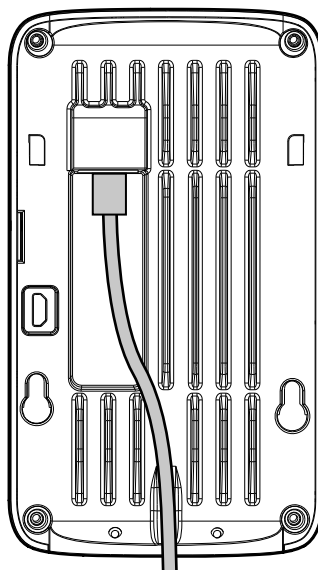
1. Mark two 4mm pilot holes on the wall and drill using a power drill.
2. Place the plastic anchors over the hole and tap them firmly until they are fully inserted in the wall.
3. Align the mounting bracket with the plastic anchors inserted in the wall.
4. Screw the 2 wooden screws into the plastic anchors to secure the mount against the wall.

**Figure 6** Screw Wall Mount Directly to Solid Wall



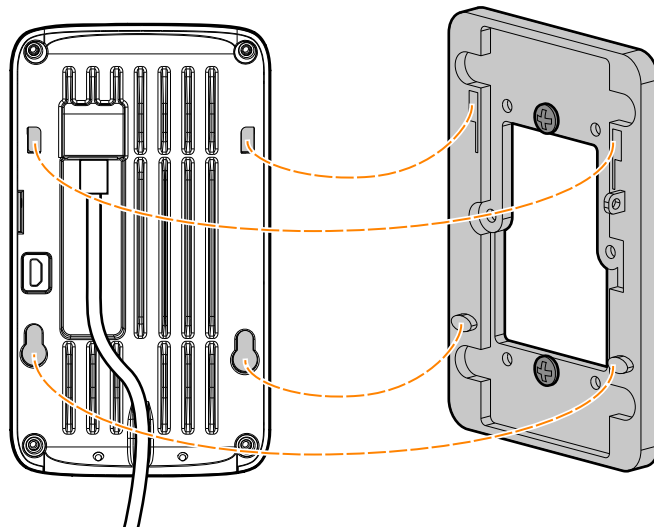
5. Attach an active Ethernet cable to the E0 port located on the back of the access point. Make sure to follow the path printed on the back of the access point, as shown in [Figure 7](#).

**Figure 7** Route Ethernet Cable Using Bottom Center Pad Printing



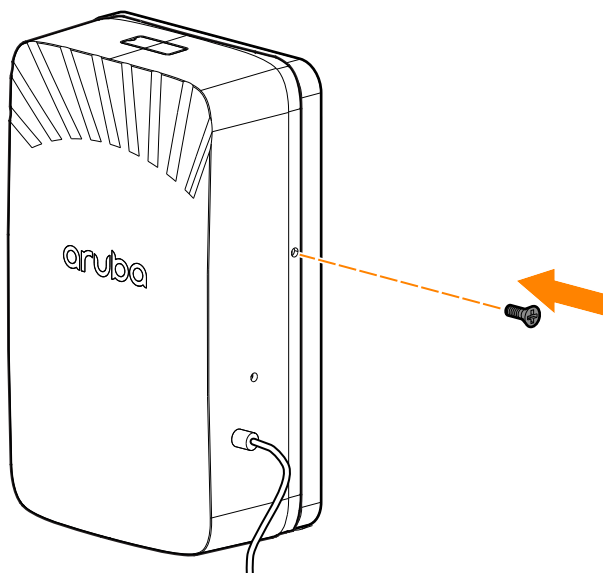
6. Align the slots on the back of the access point against the guide posts and slots on the mount, then slide the access point down, as shown in [Figure 8](#)

**Figure 8** *Align Slots on Access Point with Mount and Slide Down*



7. Once the access point is attached to the wall mount, insert and fasten the security screw on the right side of the mount, as shown in [Figure 9](#).

**Figure 9** *Screw In Security Screw*



8. (Optional) If the access point requires a DC power adapter, a power cable may be inserted into the socket located on the side of the access point.