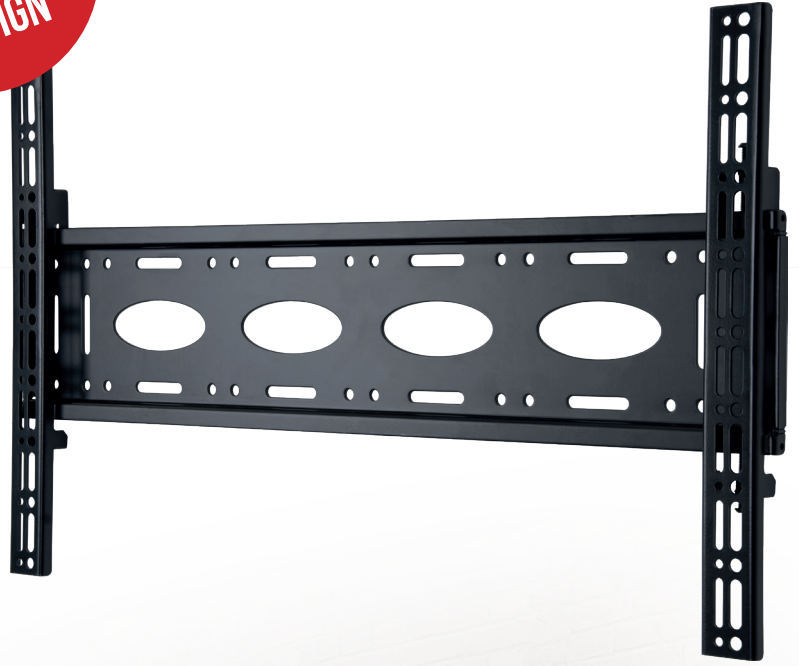




# BT8442

## UNIVERSAL FLAT SCREEN WALL MOUNT



Designed for large sized screens, the BT8442 supports weights up to 80kg and features a low-profile design that mounts screens just 30mm from the wall. The universal interface accommodates mounting patterns up to 655 x 400mm and comes with adjustment screws which allow the screen to be levelled once mounted.

### SPECIFICATION

|                         |                   |
|-------------------------|-------------------|
| Recommended screen size | 49" - 80"         |
| Max load                | 80kg              |
| Fits universal patterns | up to 655 x 400mm |
| Distance from wall      | 30mm              |
| Colour                  | Black             |

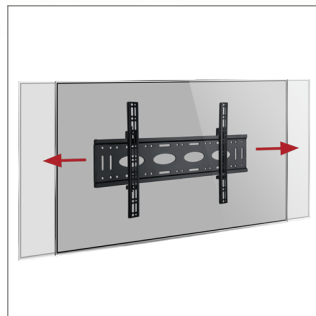
\*Please note the maximum load is reduced to 50kg when single pole mounted

### FEATURES

- Low profile design for a close to the wall installation
- Lateral adjustment of screen once mounted
- Levelling screws allow adjustment of screen height
- Compatible with B-Tech's collar and pole system for pole mounting screens
- Security locking screws help prevent unauthorised removal of screens
- Simple 'hook-on' installation
- All mounting hardware included



Low profile design mounts screen only 30mm from the wall



Lateral adjustment of screen once mounted



Levelling screws allow adjustment of screen height



Security locking screws help prevent unauthorised removal of screens

