

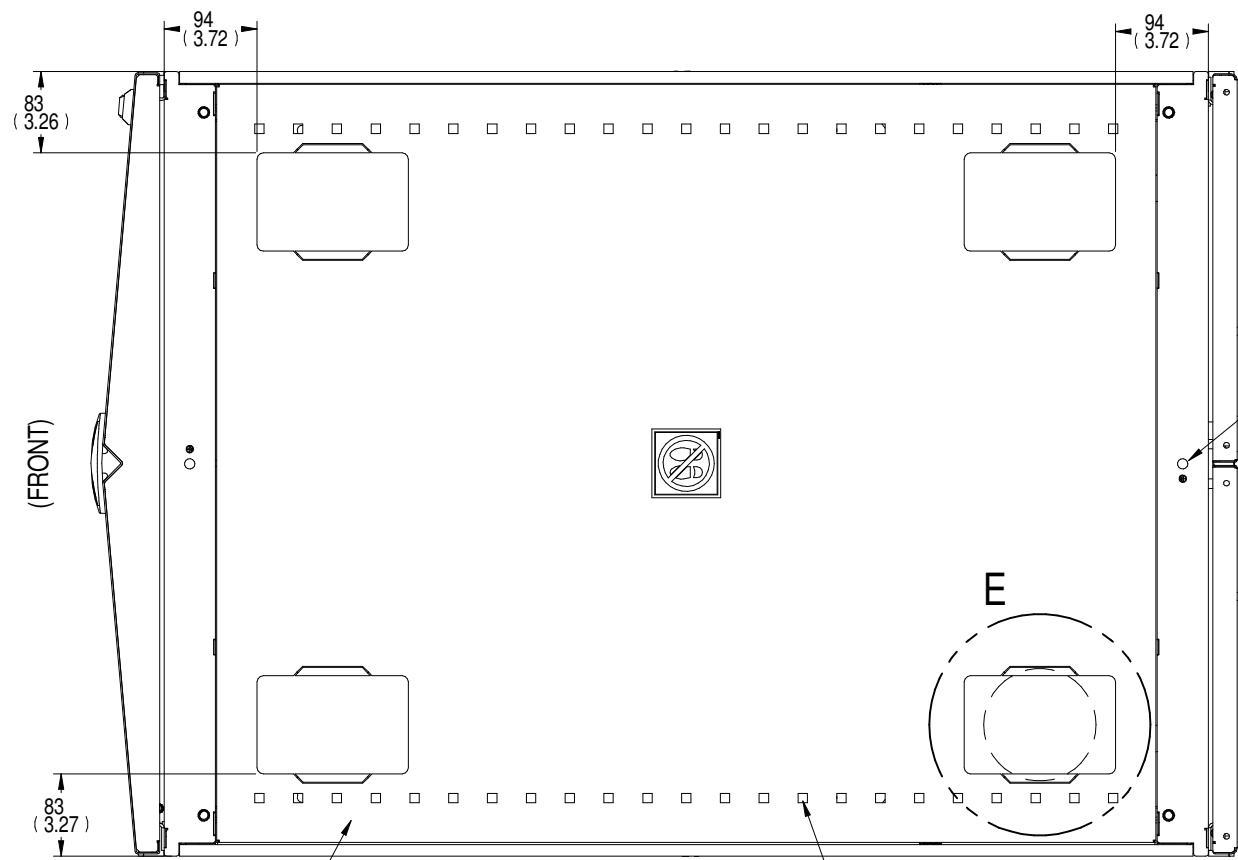
- NOTES:
1. ALL DIMENSIONS ARE MM (INCH), TOLERANCES ±2.5 (±0.1)
  2. UNIT WEIGHT: 161.8 KG (356.7 LBS)
  3. STATIC WEIGHT CAPACITY: 1361 KG (3000 LBS)
  4. DYNAMIC WEIGHT CAPACITY: 1021 KG (2250 LBS)
  5. PACKAGE OF M6 SCREWS, CAGE NUTS INCLUDED.

DRAWN BY: TED BEAVER	SHEET NUMBER: 1 OF 3
CHECKED BY: BRAD REINBOLT	ECN NUMBER: N/A
REFERENCE DRAWING: N/A	QUOTE NUMBER: N/A

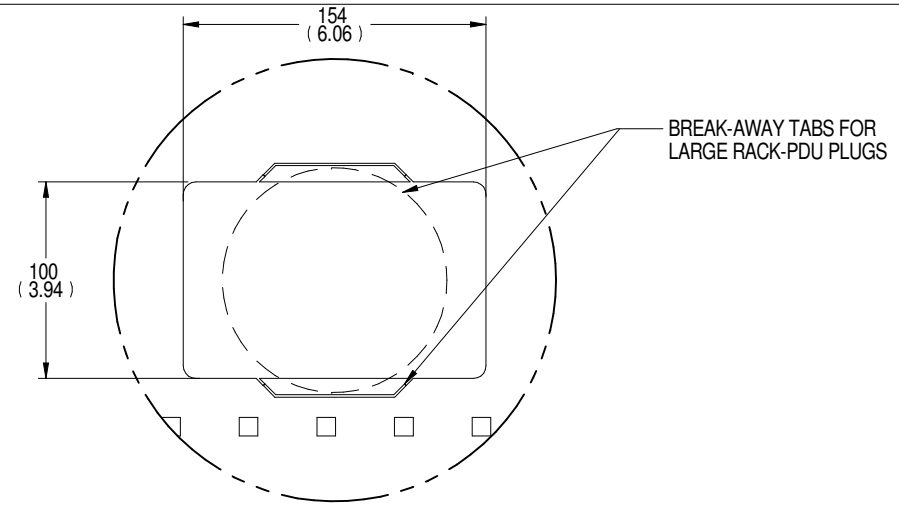
TITLE / DESCRIPTION  
**VERTIV VR RACK**  
 42U x 800mm W x 1100mm D

<b>VR3150</b>			
DRAWING NUMBER: VR3150-SUBTL	DATE: 04/19/18	REV#: 1	1050 DEARBORN DRIVE P.O. BOX 29186 COLUMBUS, OHIO 43229

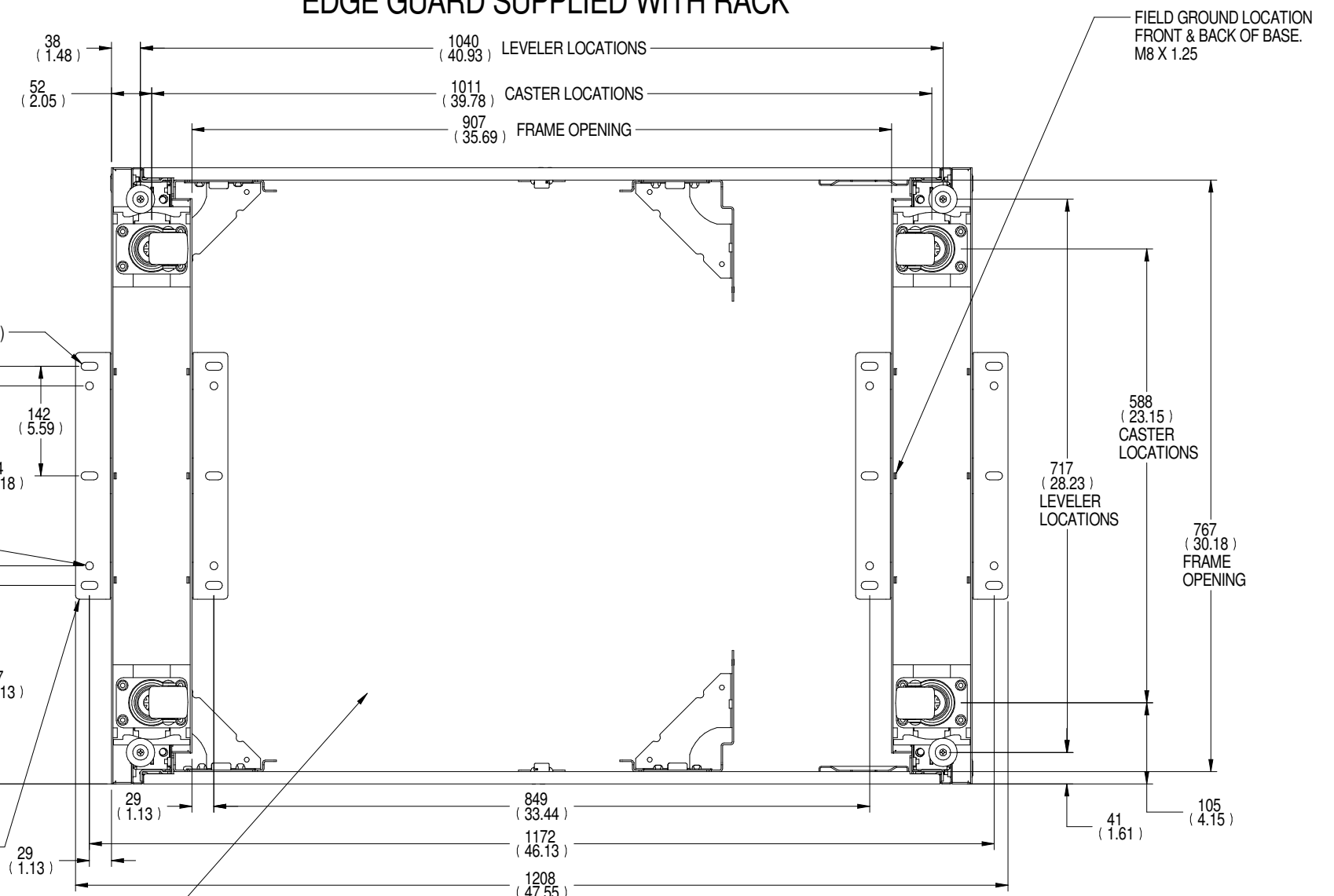




TOP VIEW  
CABLE OPENINGS



DETAIL E  
TYPICAL (4) PLACES  
EDGE GUARD SUPPLIED WITH RACK



BOTTOM VIEW  
(TOP PANEL & DOORS HIDDEN)

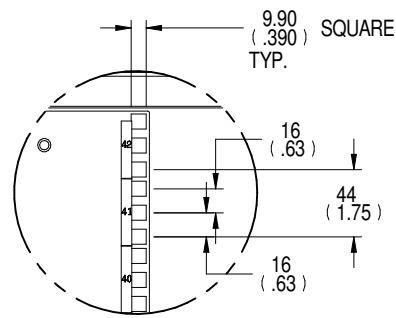
(2) SHIPPING BRACKETS CAN BE USED FOR FLOOR ANCHORING - (1) FRONT, (1) REAR BRACKETS CAN BE LOCATED INSIDE OR OUTSIDE OF THE FRAME.

DRAWN BY: TED BEAVER	SHEET NUMBER: 2 OF 3
CHECKED BY: BRAD REINBOLT	ECN NUMBER: N/A
REFERENCE DRAWING: N/A	QUOTE NUMBER: N/A

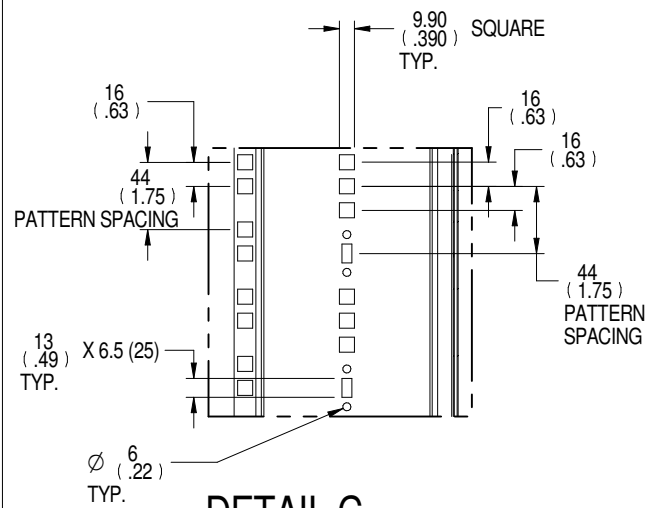
TITLE / DESCRIPTION  
VERTIV VR RACK  
42U x 800mm W x 1100mm D

VR3150	
DRAWING NUMBER: VR3150-SUBTL	DATE: 04/19/18
REV#: 1	1050 DEARBORN DRIVE P.O. BOX 29186 COLUMBUS, OHIO 43229

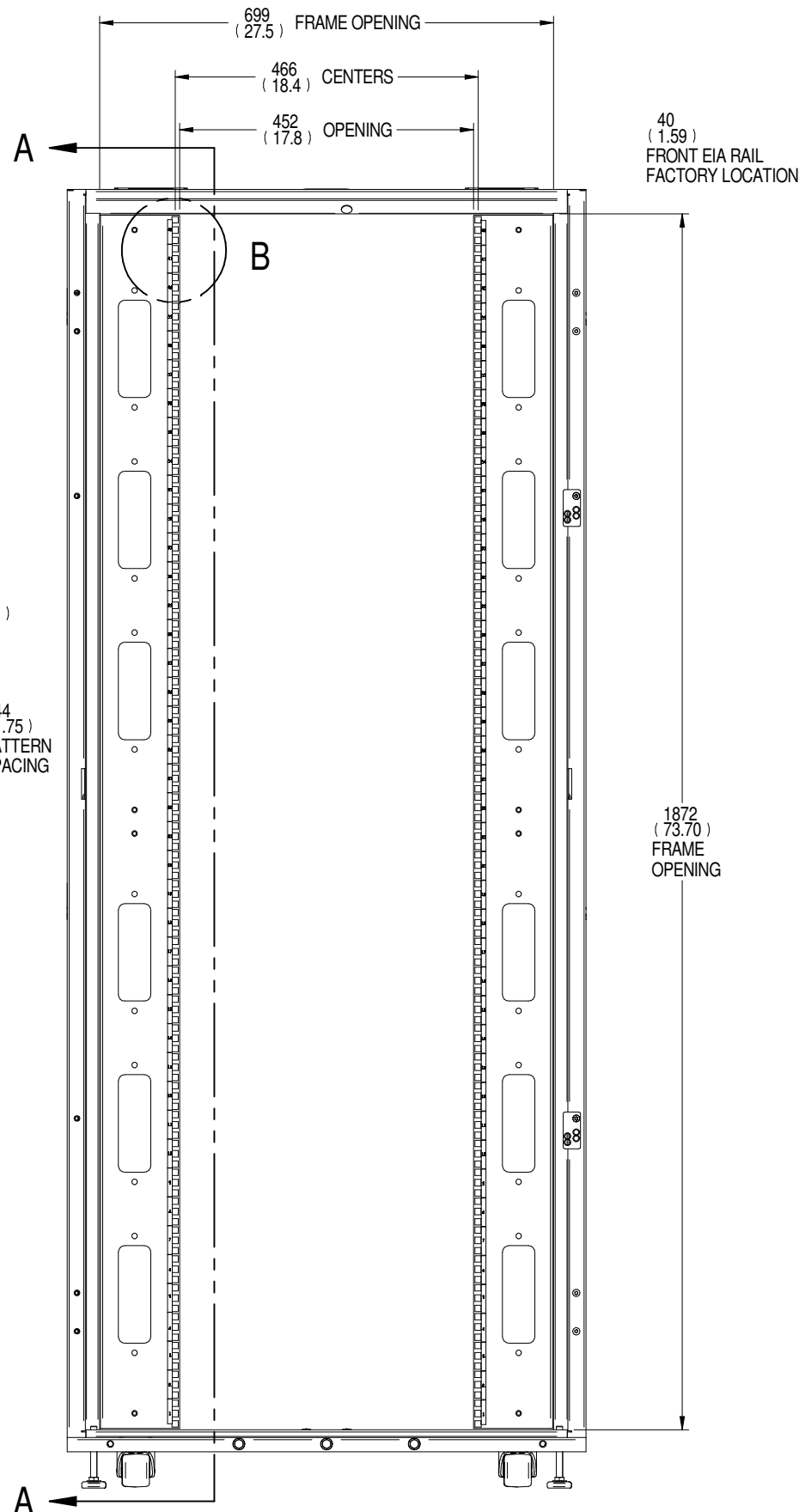




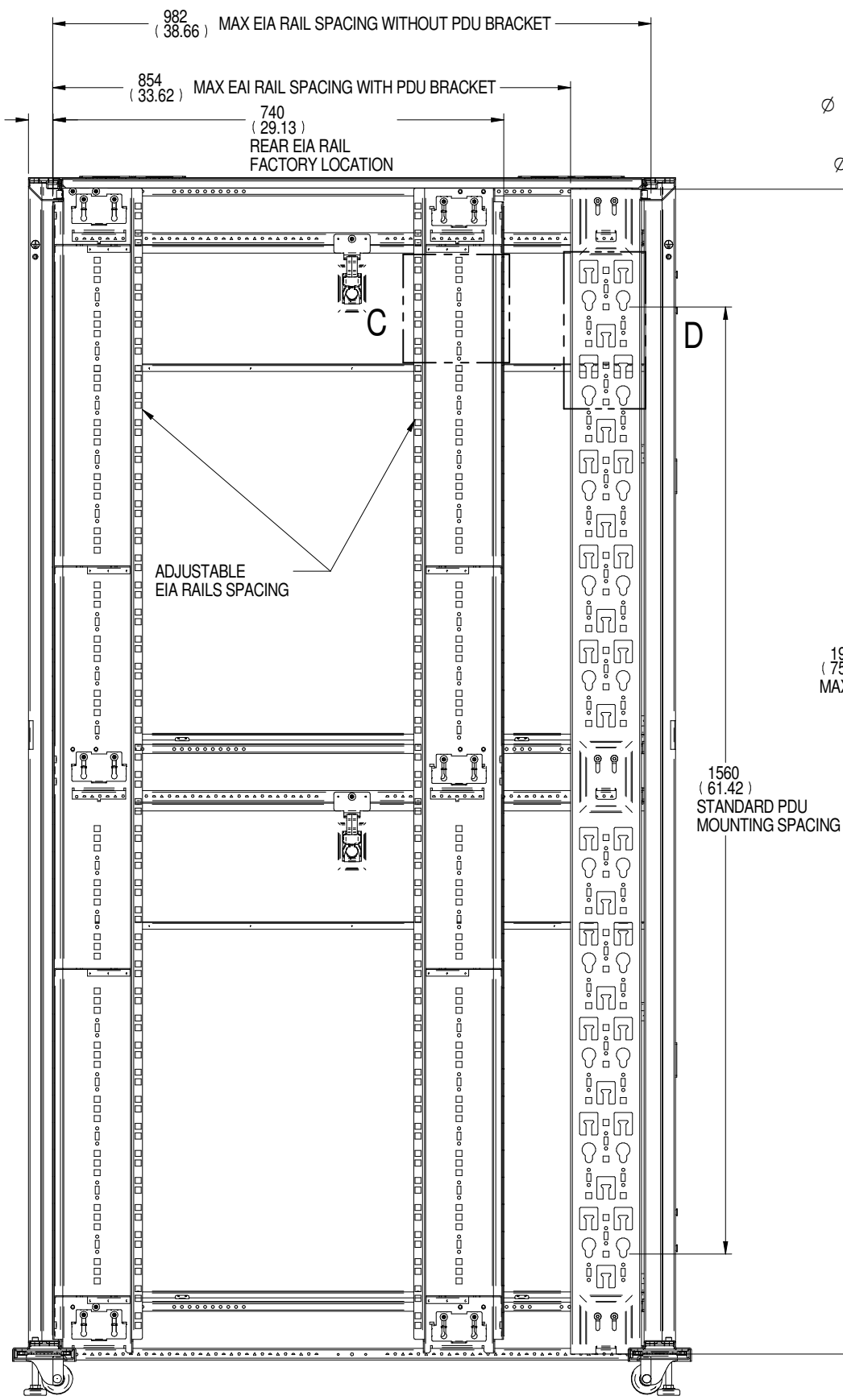
**DETAIL B  
RMU DETAIL**



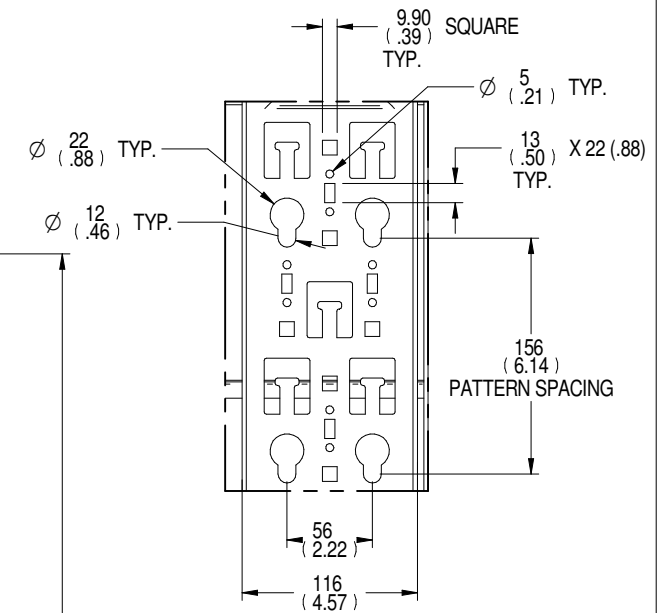
**DETAIL C  
OPTIONAL ACCESSORY  
LOCATIONS**



**FRONT VIEW  
(DOORS HIDDEN)**



**SECTION A-A**



**DETAIL D  
PDU BRACKET  
DETAIL**

DRAWN BY: TED BEAVER	SHEET NUMBER: 3 OF 3
CHECKED BY: BRAD REINBOLT	ECN NUMBER: N/A
REFERENCE DRAWING: N/A	QUOTE NUMBER: N/A

TITLE / DESCRIPTION  
**VERTIV VR RACK**  
42U x 800mm W x 1100mm D

**VR3150**

DRAWING NUMBER: VR3150-SUBTL	DATE: 04/19/18	REV#: 1	1050 DEARBORN DRIVE P.O. BOX 29186 COLUMBUS, OHIO 43229
---------------------------------	-------------------	------------	---

