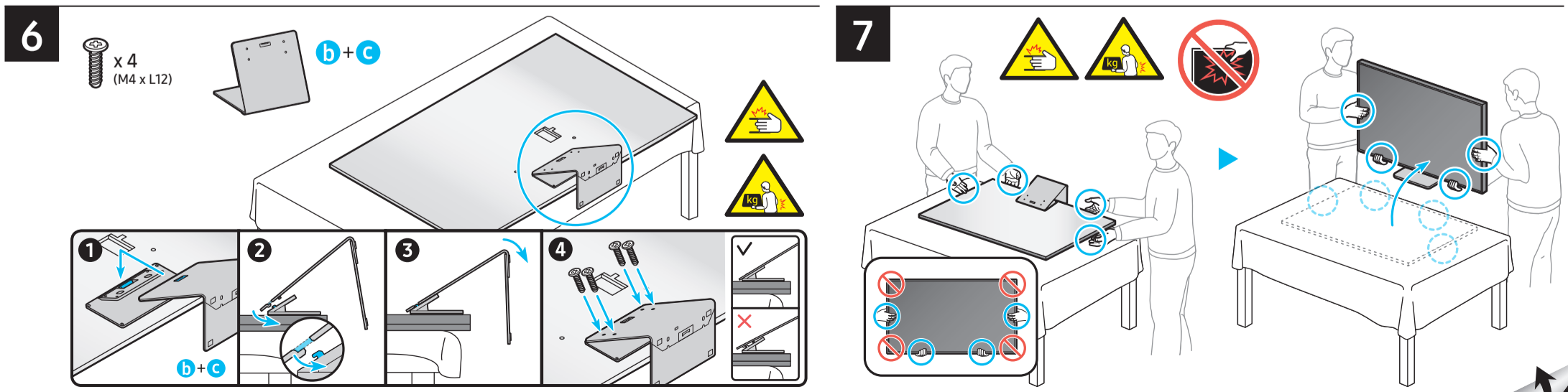
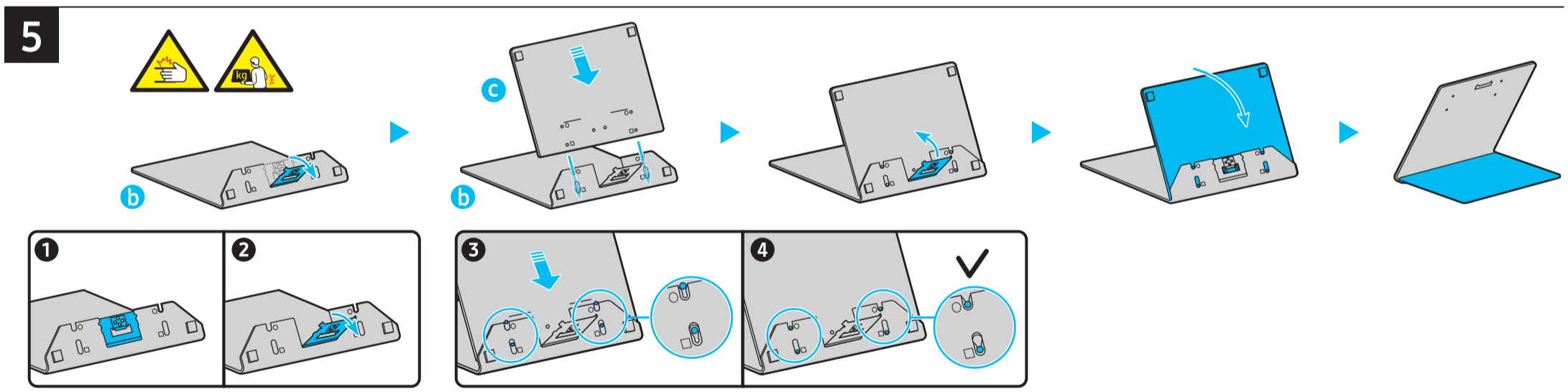
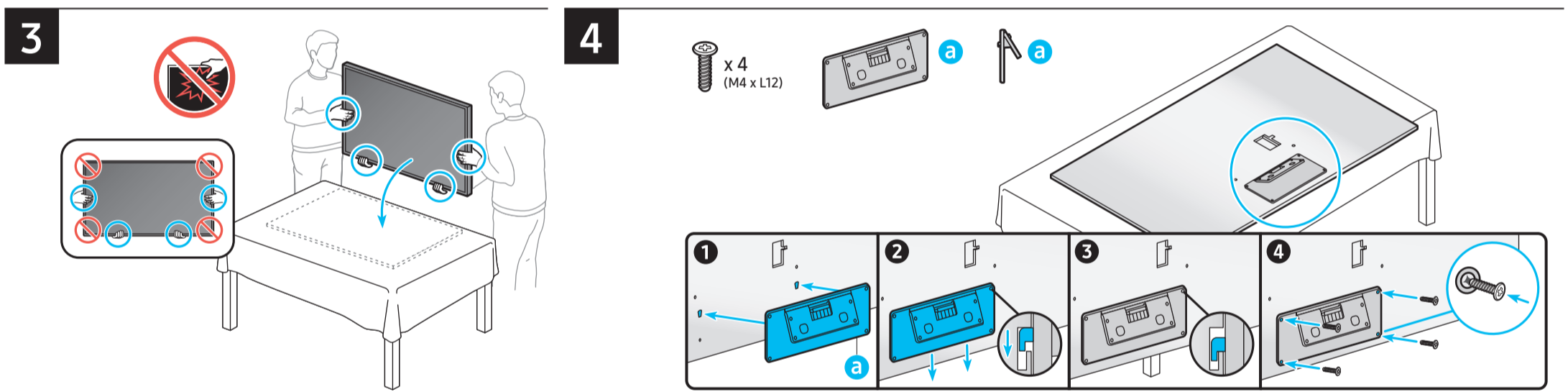
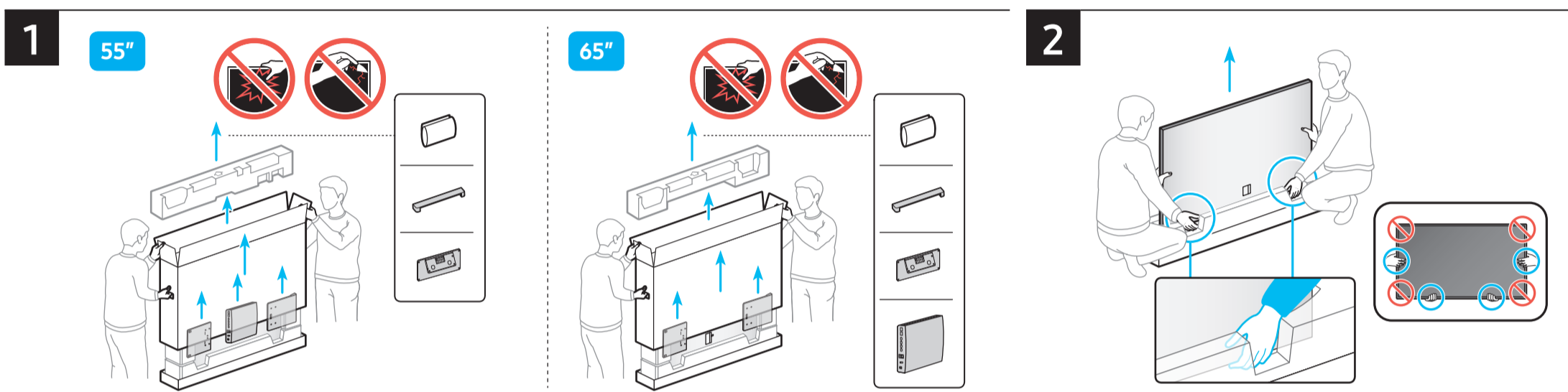
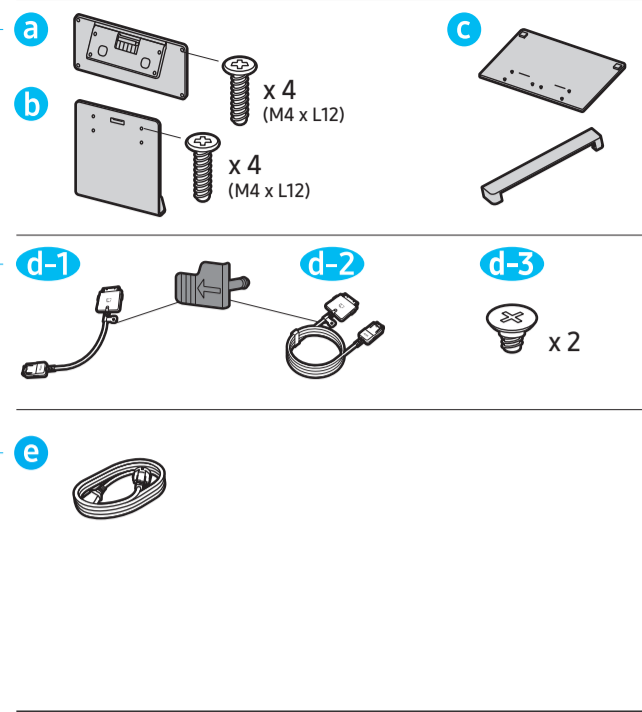
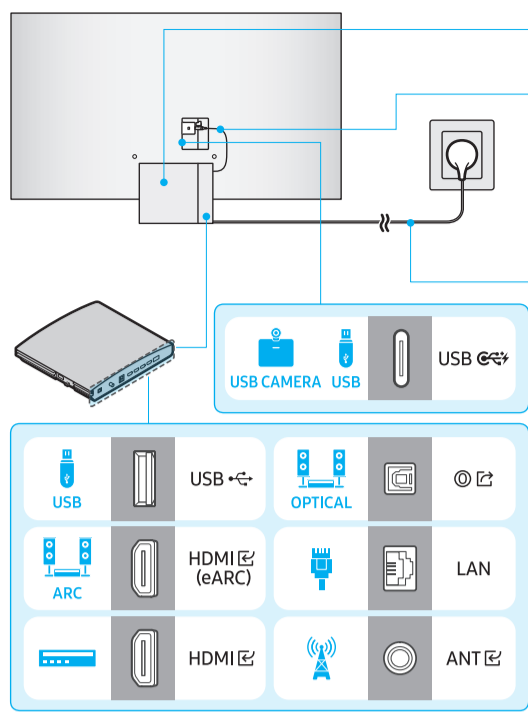


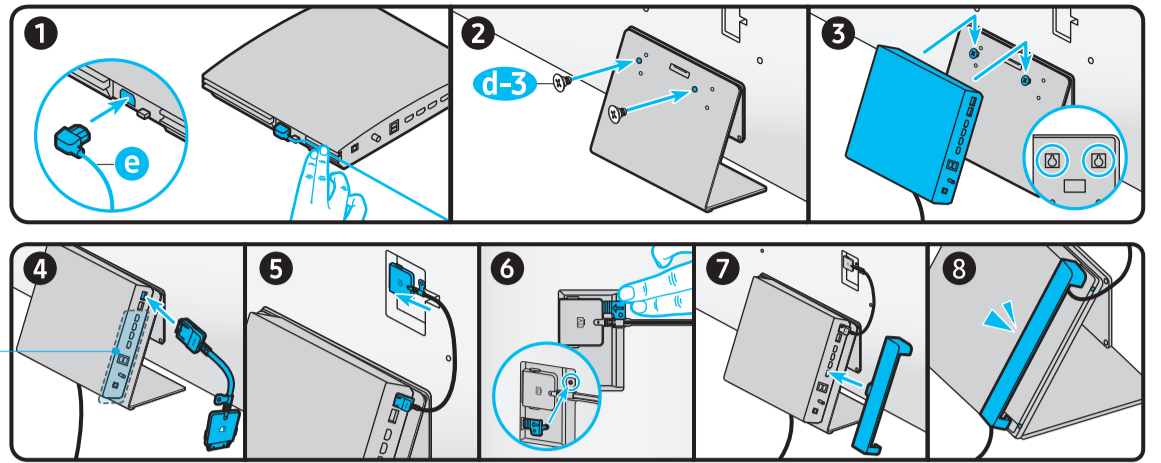
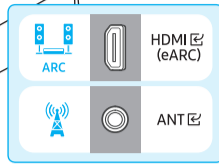
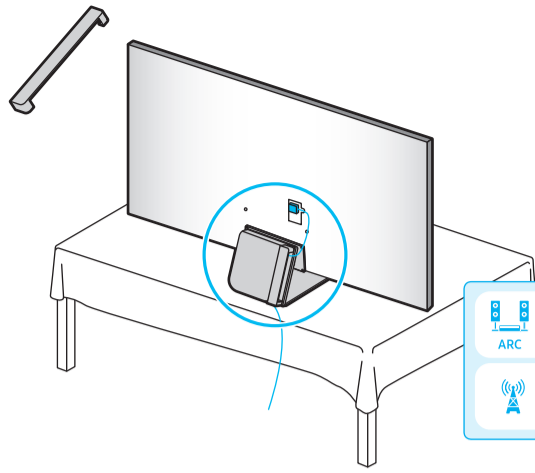
SAMSUNG

Unpacking and Installation Guide
 Guide de déballage et d'installation
 Guía de desembalaje e instalación
 Manual de desempacotamento e instalação
 Auspacken und Installationsanleitung
 Guida al disimballaggio e all'installazione

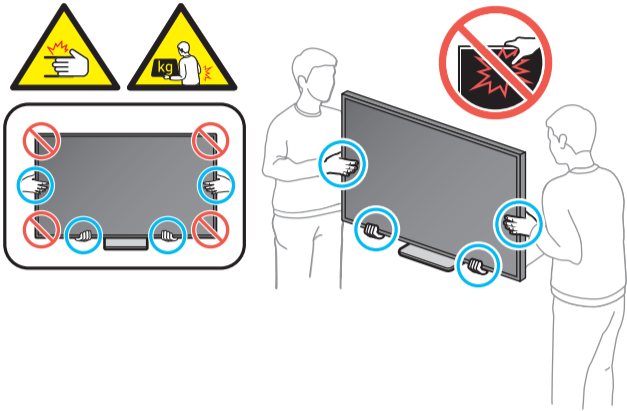


8

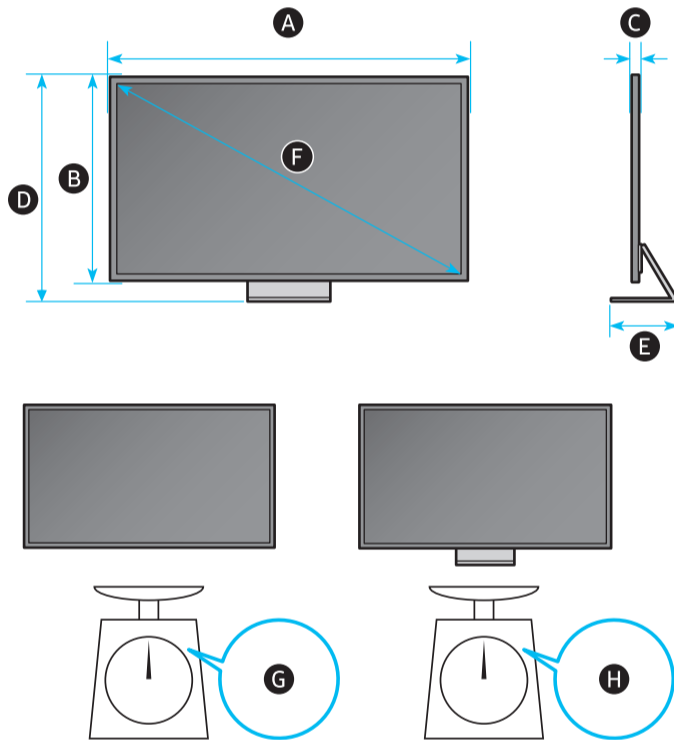
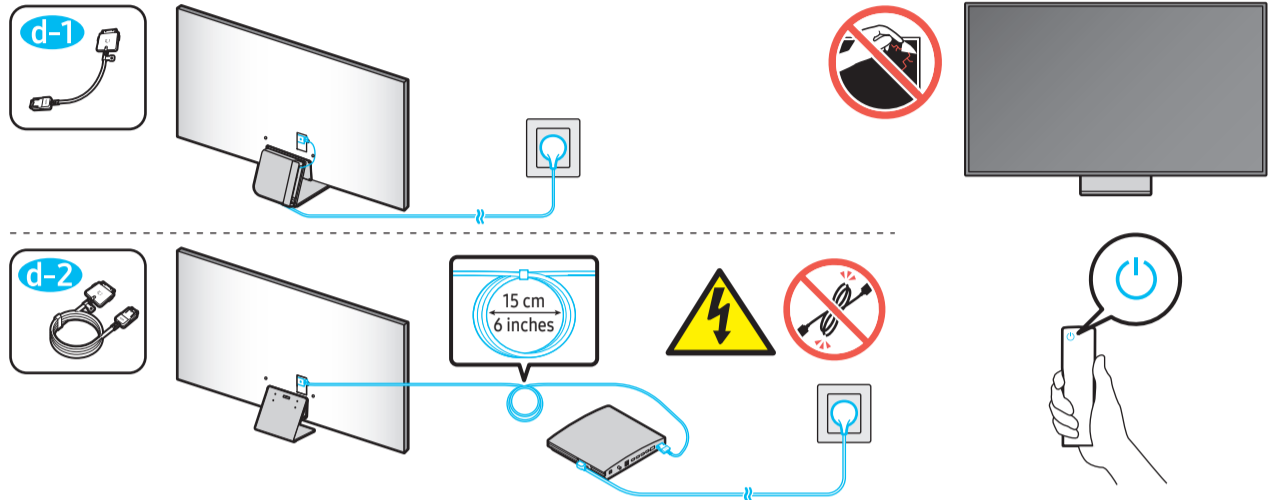
d-3



9

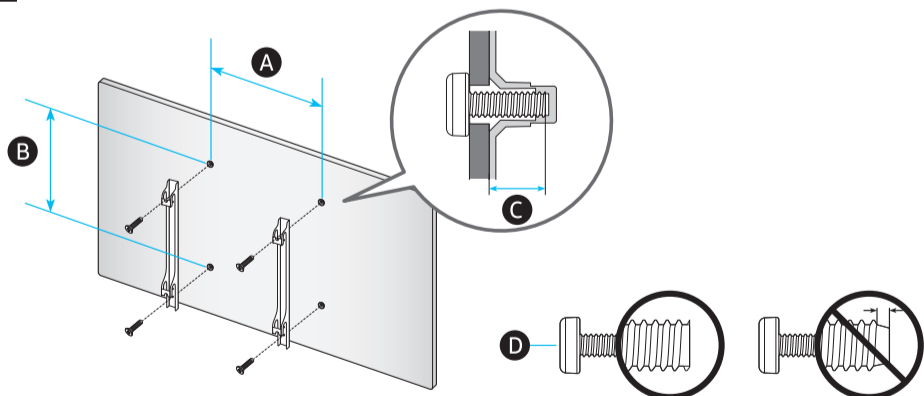


10



| | A | B | C | D | E | F | G | H |
|----------------------|---|---|--------------------------------------|---|---|-------------------------|-----------------------|-----------------------|
| 55S95C 55SC95 | 48.2 inches (1224.6 mm) (122.46 cm) | 27.8 inches (706.3 mm) (70.63 cm) | 0.4 inches (11.0 mm) (1.10 cm) | 30.4 inches (771.4 mm) (77.14 cm) | 10.5 inches (267.9 mm) (26.79 cm) | 54.6 inches (138 cm) | 30.4 lbs (13.8 kg) | 52.7 lbs (23.9 kg) |
| 65S95C 65SC95 | 56.8 inches (1443.5 mm) (144.35 cm) | 32.7 inches (829.4 mm) (82.94 cm) | 0.4 inches (11.0 mm) (1.10 cm) | 35.2 inches (894.4 mm) (89.44 cm) | 10.5 inches (267.9 mm) (26.79 cm) | 64.5 inches (163 cm) | 41.7 lbs (18.9 kg) | 63.9 lbs (29.0 kg) |
| 55QN7**C 55QNC7** | 48.2 inches (1224.8 mm) (122.48 cm) | 27.8 inches (705.3 mm) (70.53 cm) | 0.7 inches (17.9 mm) (1.79 cm) | 30.5 inches (775.4 mm) (77.54 cm) | 10.5 inches (267.9 mm) (26.79 cm) | 54.6 inches (138 cm) | 36.2 lbs (16.4 kg) | 58.4 lbs (26.5 kg) |
| 65QN7**C 65QNC7** | 56.8 inches (1443.7 mm) (144.37 cm) | 32.6 inches (828.4 mm) (82.84 cm) | 0.7 inches (17.9 mm) (1.79 cm) | 35.4 inches (898.2 mm) (89.82 cm) | 10.5 inches (267.9 mm) (26.79 cm) | 64.5 inches (163 cm) | 49.4 lbs (22.4 kg) | 71.7 lbs (32.5 kg) |
| 65QN8**C 65QNC8** | 56.8 inches (1443.7 mm) (144.37 cm) | 32.6 inches (828.4 mm) (82.84 cm) | 0.7 inches (17.2 mm) (1.72 cm) | 35.4 inches (898.2 mm) (89.82 cm) | 10.5 inches (267.9 mm) (26.79 cm) | 64.5 inches (163 cm) | 49.6 lbs (22.5 kg) | 71.9 lbs (32.6 kg) |
| 65QN9**C 65QNC9** | 56.4 inches (1433.1 mm) (143.31 cm) | 32.3 inches (819.9 mm) (81.99 cm) | 0.6 inches (15.2 mm) (1.52 cm) | 35.1 inches (892.7 mm) (89.27 cm) | 10.5 inches (267.9 mm) (26.79 cm) | 64.5 inches (163 cm) | 49.4 lbs (22.4 kg) | 71.7 lbs (32.5 kg) |

* : 0-9, A-Z



| | VESA A x B (mm) | C (mm) | D x 4 |
|--------------------------------------|-----------------|--------|-------|
| 55S95C 55SC95 65S95C 65SC95 | 400 x 300 | 5-6 | M8 |
| 55QN7**C 55QNC7** | | | |
| 65QN7**C 65QNC7** | | | |
| 65QN8**C 65QNC8** | | | |
| 65QN9**C 65QNC9** | | | |

* : 0-9, A-Z