

BEAMER-W050BLACK NEOMOUNTS PROJECTOR WALL MOUNT

SPECIFICATIONS

GENERAL

Min. weight	0 kg (per screen)
Max. weight	12 kg (per screen)
Distance to wall	37-47 cm

FUNCTIONALITY

Type	Tilt Swivel Full motion
Height adjustment	5 cm
Width adjustment	39 cm
Depth adjustment	37-47 cm
Tilt (degrees)	90°
Swivel (degrees)	360°
Adjustment type	None

INFORMATION

Color	Black
Main material	Steel
Warranty	5 year
EAN code	8717371445010

*Please note: The inch sizes stated are just an indication, combined with the weight and VESA sizes. The maximum weight and VESA size are absolute restrictions for the products and should not be exceeded.



Neomounts



Neomounts

Neomounts Universal Projector Wall Mount (Ultra Short Throw) - Black

The Neomounts projector wall mount, model BEAMER-W050BLACK is a universal tilt-, swivel and/or rotatable wall mount for projectors up to 12 kilograms. This mount is a great choice for an optimal viewing experience. This versatile, ready to install mount, offers the convenience of installation to the wall without the need of additional accessories.

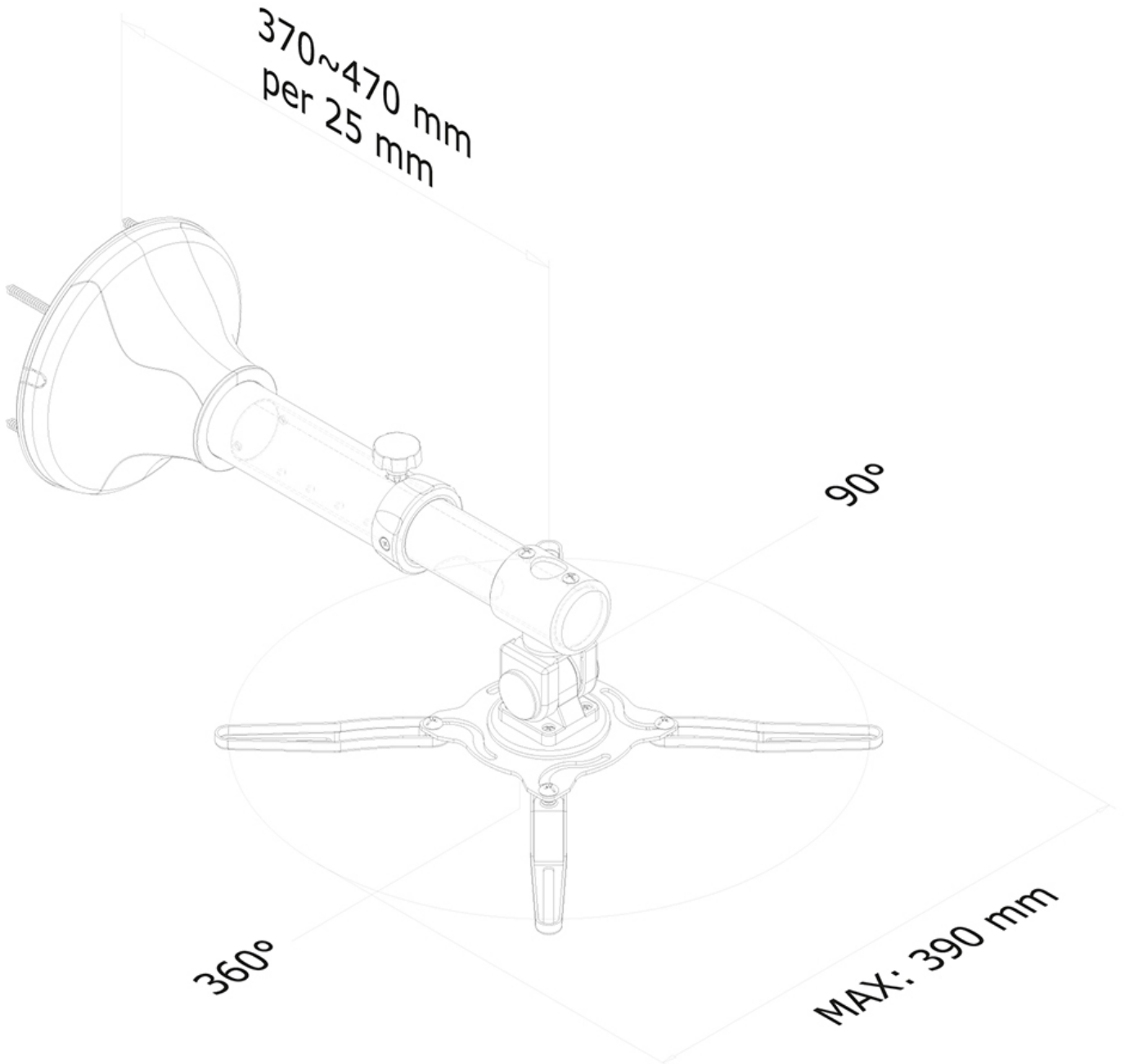
Neomounts' unique tilt (90°), rotate and/or swivel (360°) technology allows the mount to change to any viewing angle to fully benefit from the capabilities of the projector. The mount is depth adjustable from 37 to 47 centimetres. An innovative cable management conceals and routes cables from wall to projector. Hide your cables to keep the installation nice and tidy.

Neomounts BEAMER-W050BLACK has two pivot points and is suitable for most projectors. The weight capacity of this product is 12 kilograms. This universal wall mount is easy to install and suitable for projectors using the mounting holes on the bottom side of the projector. The legs included with this mount, cover most projector hole patterns.

Projector mounts are ideal for use in offices, schools, hospitals or at home.

All installation material is included with the product.

BEAMER-W050BLACK NEOMOUNTS PROJECTOR WALL MOUNT



Neomounts