

FPMA-VESA425

SPECIFICATIONS

GENERAL

Min. screen size*	27 inch
Max. screen size*	60 inch
Min. weight	0 kg (per screen)
Max. weight	20 kg (per screen)
Screens	1
VESA minimum	100x100 mm
VESA maximum	400x400 mm

FUNCTIONALITY

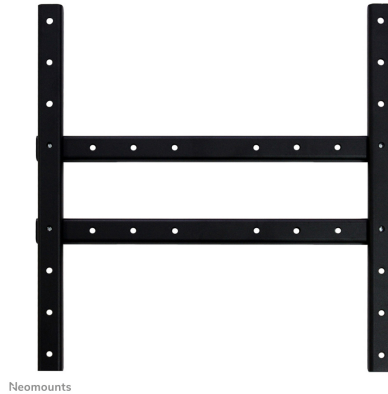
Type	Fixed
Adjustment type	None

INFORMATION

Color	Black
Main material	Steel
Warranty	5 year
EAN code	8717371445201

*Please note: The inch sizes stated are just an indication, combined with the weight and VESA sizes. The maximum weight and VESA size are absolute restrictions for the products and should not be exceeded.

NEOMOUNTS VESA ADAPTER PLATE



Neomounts

Neomounts VESA Conversion Plate - Allows VESA 100x100 for displays up to 400x400 - Black

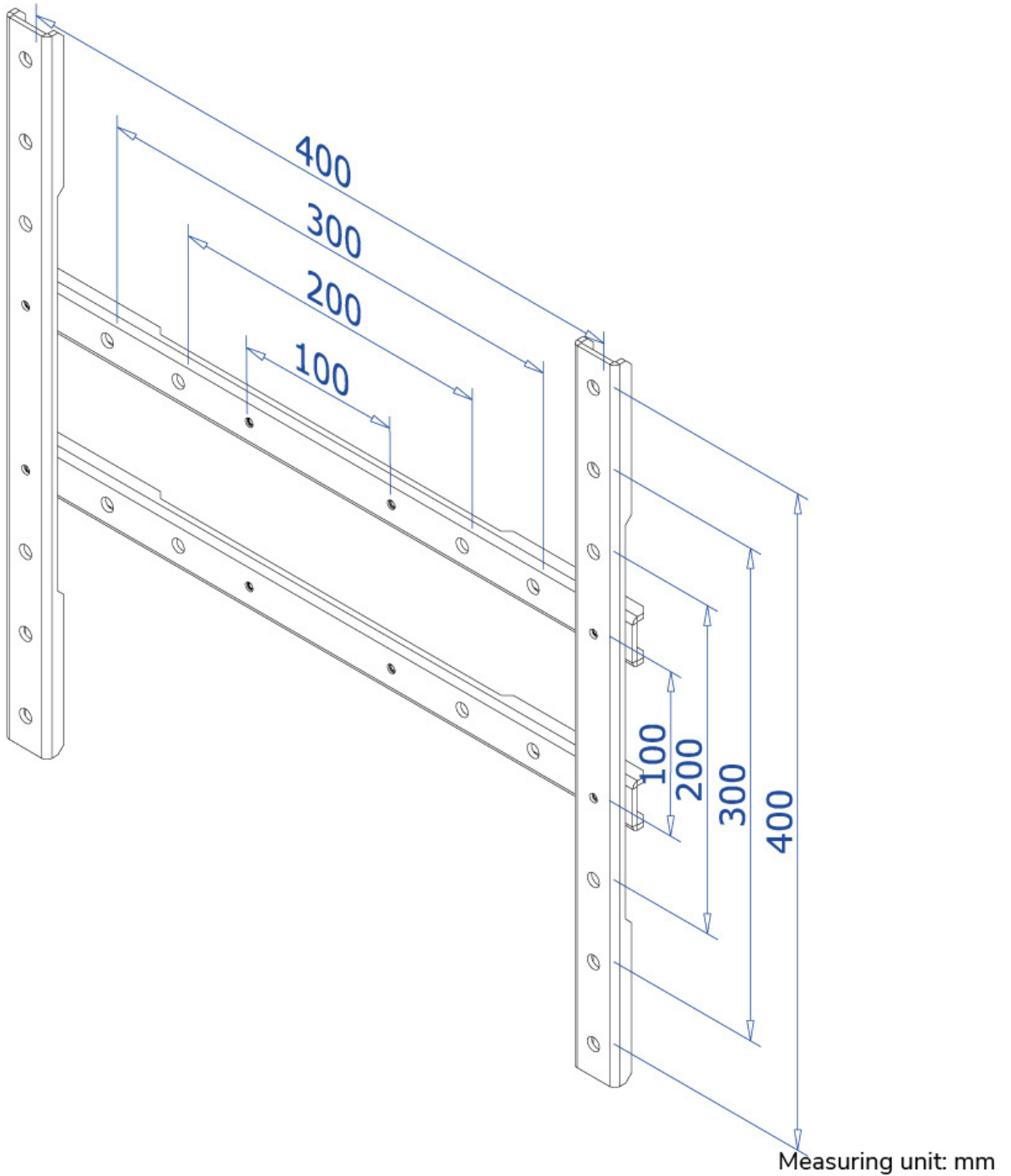
The Neomounts VESA adapter, model FPMA-VESA425 allows a VESA mount with 100x100 interface to be used with displays with VESA hole patterns up to 400x400mm. Ideal when flat screen needs different VESA pattern to select wall-, desk- or ceiling mount.

Neomounts FPMA-VESA425 is suitable for screens up to 60" (152 cm). The weight capacity of this product is 20 kg each screen. Depth of this adapter is 3 millimetres only. The adapter is suitable for screens that meet VESA hole pattern 100x200, 100x300, 100x400, 200x200, 200x300, 200x400, 300x300, 300x400, 400x400 mm. Different hole patterns can be covered using Neomounts VESA adapter plates.

All installation material is included with the product.

FPMA-VESA425

NEOMOUNTS VESA ADAPTER PLATE



Neomounts