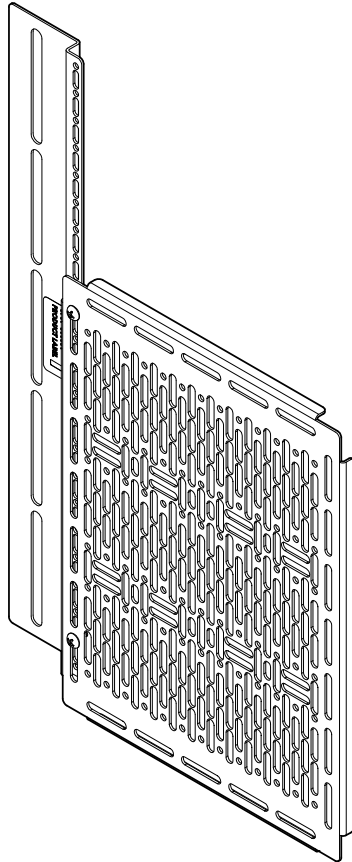


---

# INSTALLATION INSTRUCTIONS

---



---

## Static Storage Panel

---

## DISCLAIMER

Legrand | AV and its affiliated corporations and subsidiaries (collectively "Legrand | AV"), intend to make this manual accurate and complete. However, Legrand | AV makes no claim that the information contained herein covers all details, conditions or variations, nor does it provide for every possible contingency in connection with the installation or use of this product. The information contained in this document is subject to change without notice or obligation of any kind. Legrand | AV makes no representation of warranty, expressed or implied, regarding the information contained herein. Legrand | AV assumes no responsibility for accuracy, completeness or sufficiency of the information contained in this document.

## DEFINITIONS

**MOUNTING SYSTEM:** A MOUNTING SYSTEM is the primary Chief product to which an accessory and/or component is attached.

**ACCESSORY:** AN ACCESSORY is the secondary Chief product which is attached to a primary Chief product, and may have a component attached or setting on it.

**COMPONENT:** A COMPONENT is an audiovisual item designed to be attached or resting on an accessory or mounting system such as a video camera, CPU, screen, display, projector, etc.



**WARNING:** A WARNING alerts you to the possibility of serious injury or death if you do not follow the instructions.



**CAUTION:** A CAUTION alerts you to the possibility of damage or destruction of equipment if you do not follow the corresponding instructions.



## IMPORTANT SAFETY INSTRUCTIONS



**WARNING:** Failure to read, thoroughly understand, and follow all instructions can result in serious personal injury, damage to equipment, or voiding of factory warranty! It is the installer's responsibility to make sure all accessories are properly assembled and installed using the instructions provided.



**WARNING:** Exceeding the weight capacity can result in serious personal injury or damage to equipment! It is the installer's responsibility to make sure the combined weight of all components attached to accessory does not exceed 10 lbs (4.5 kg).



**WARNING:** Use this accessory only for its intended use as described in these instructions. Do not use attachments not recommended by the manufacturer.



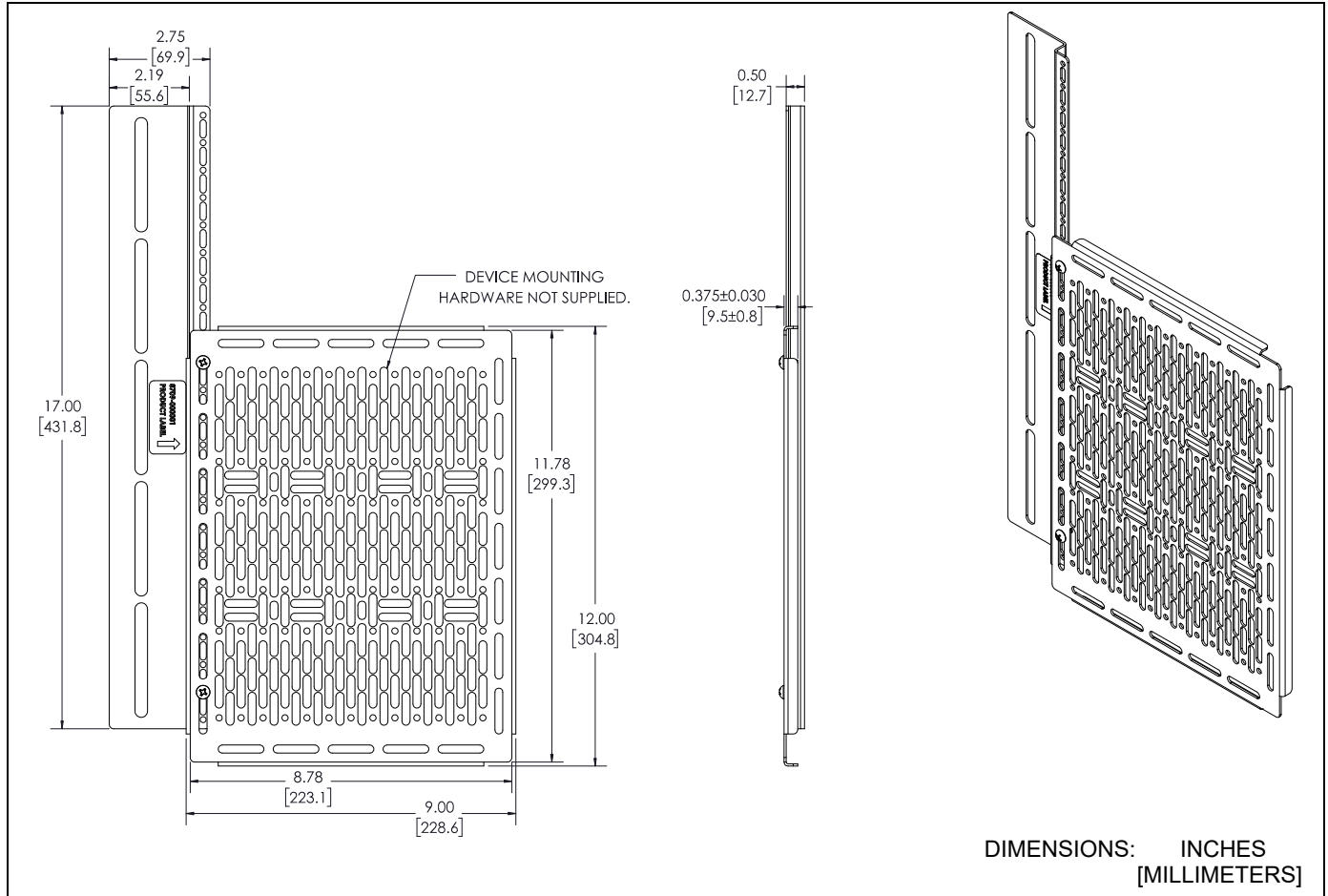
**WARNING:** Never operate this accessory if it is damaged. Return the accessory to a service center for examination and repair.



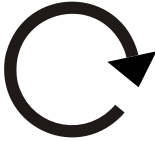

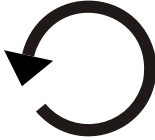









**WARNING:** Do not use this accessory outdoors.

**--SAVE THESE INSTRUCTIONS--**

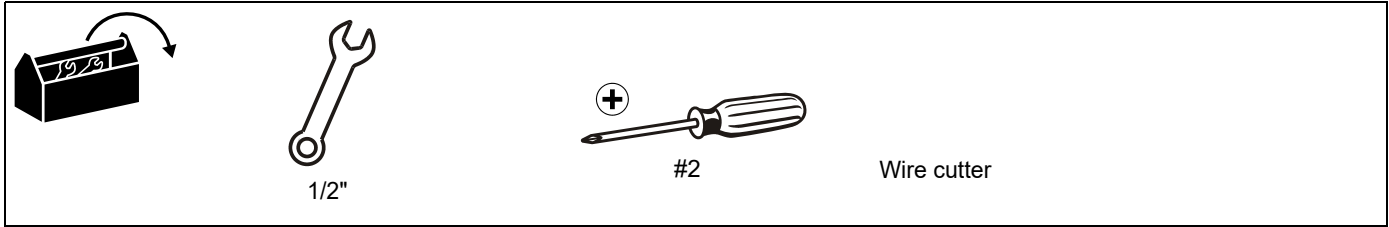
### DIMENSIONS



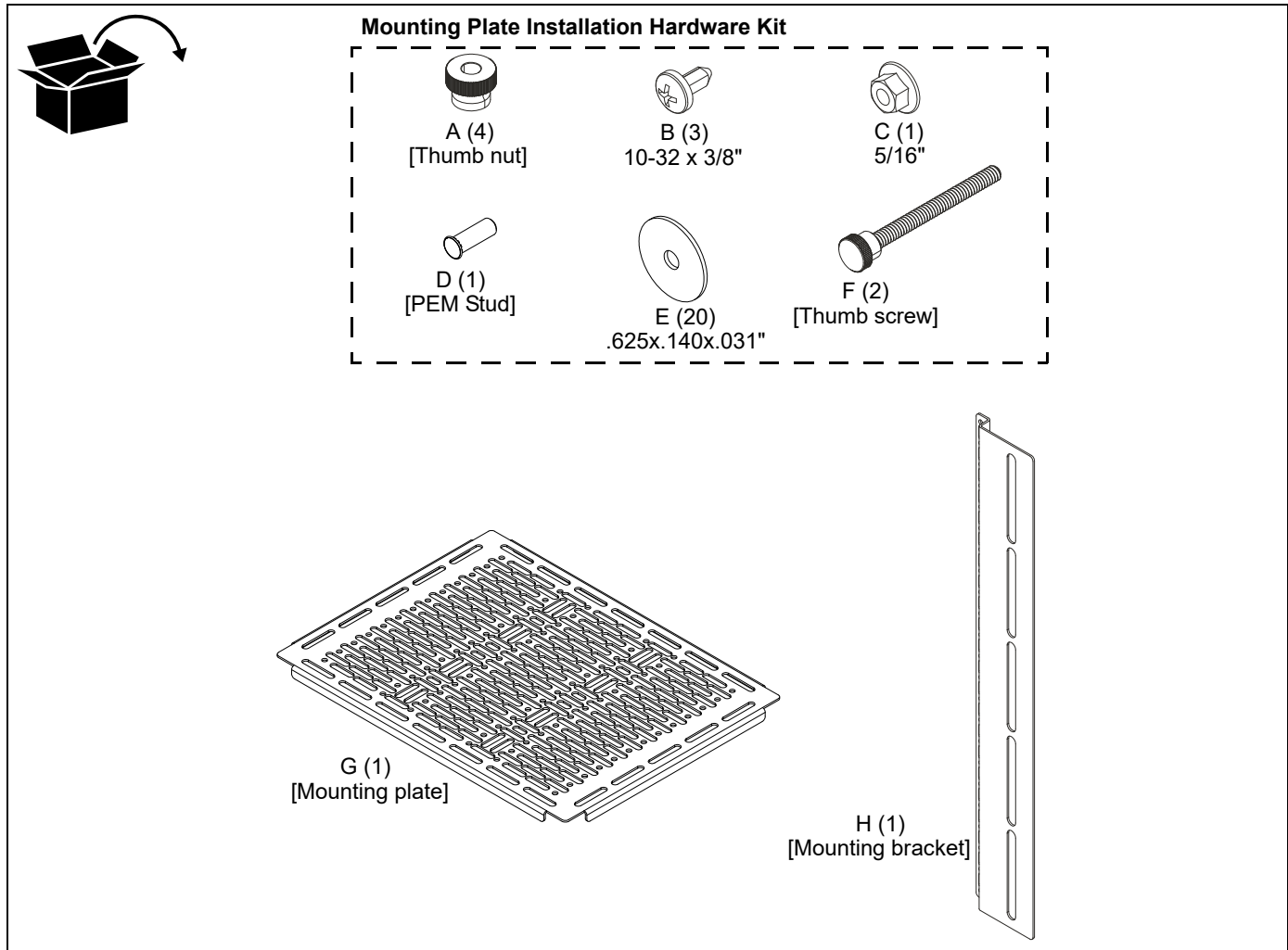
## LEGEND

	<b>Tighten Fastener</b> Apretar elemento de fijación Befestigungsteil festziehen Apertar fixador Serrare il fissaggio Bevestiging vastdraaien Serrez les fixations		<b>Pencil Mark</b> Marcar con lápiz Stiftmarkierung Marcar com lápis Segno a matita Potloodmerkteken Marquage au crayon
	<b>Loosen Fastener</b> Aflojar elemento de fijación Befestigungsteil lösen Desapertar fixador Allentare il fissaggio Bevestiging losdraaien Desserrez les fixations		<b>Drill Hole</b> Perforar Bohrloch Fazer furo Praticare un foro Gat boren Percez un trou
	<b>Phillips Screwdriver</b> Destornillador Phillips Kreuzschlitzschraubendreher Chave de fendas Phillips Cacciavite a stella Kruiskopschroevendraaier Tournevis à pointe cruciforme		<b>Adjust</b> Ajustar Einstellen Ajustar Regolare Afstellen Ajuster
	<b>Open-Ended Wrench</b> Llave de boca Gabelschlüssel Chave de bocas Chiave a punte aperte Steeksleutel Clé à fourche		<b>Remove</b> Quitar Entfernen Remover Rimuovere Verwijderen Retirez
	<b>By Hand</b> A mano Von Hand Com a mão A mano Met de hand À la main		<b>Optional</b> Opcional Optional Opcional Opzionale Optie En option
	<b>Hex-Head Wrench</b> Llave de cabeza hexagonal Sechskantschlüssel Chave de cabeça sextavada Chiave esagonale Zeskantsleutel Clé à tête hexagonale		<b>Security Wrench</b> Llave de seguridad Sicherheitsschlüssel Chave de segurança Chiave di sicurezza Veiligheidssleutel Clé de sécurité

### TOOLS REQUIRED FOR INSTALLATION



### PARTS



## ASSEMBLY AND INSTALLATION

**NOTE:** The mounting bracket (H) may be installed using either of two methods. Proceed to either **Installing Mounting Bracket to VESA Holes** OR **Installing Mounting Bracket to Display Mount Interface Bracket**.

### Installing Mounting Bracket to VESA Holes

**NOTE:** The mounting bracket (H) may be installed using VESA holes between display mount interface brackets and the display in vertical or horizontal positions. (See Figure 1)

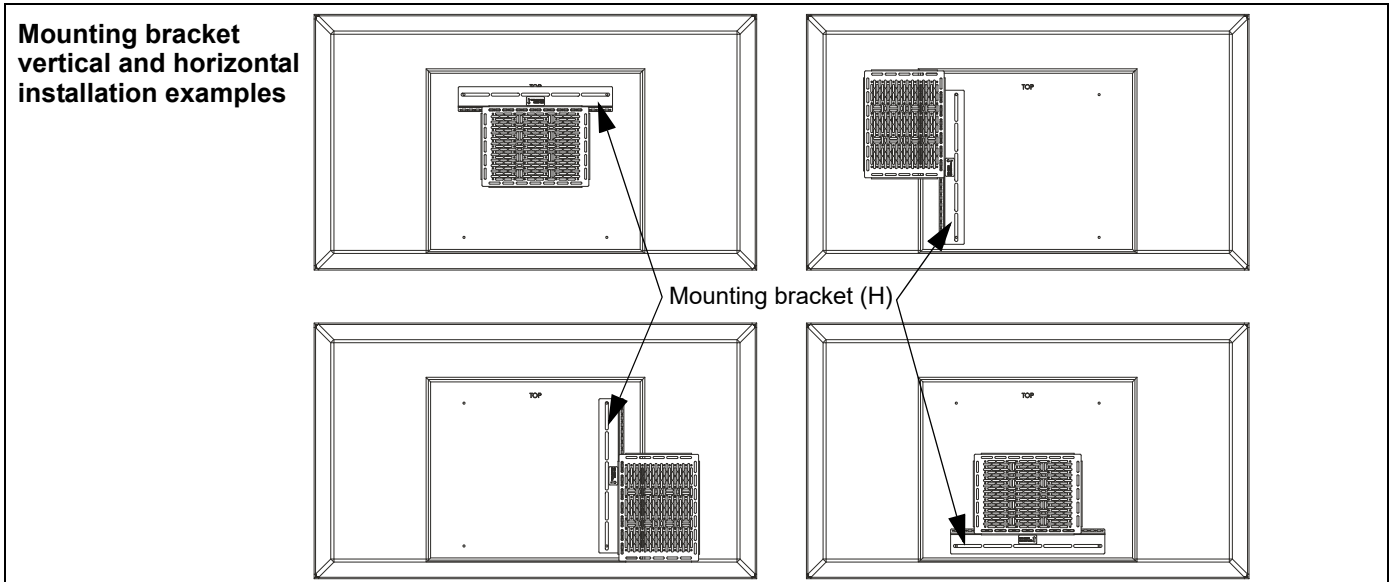


Figure 1

1. Place display face down on a soft surface.

**NOTE:** Any existing display mount interface bracket hardware that is already installed on the back of the display must be removed before installing the mounting bracket (H).

2. Use the hardware provided with your display mount interface brackets to attach mounting bracket (H) between the display mount interface bracket and into the VESA holes in the back of the display. (See Figure 2)

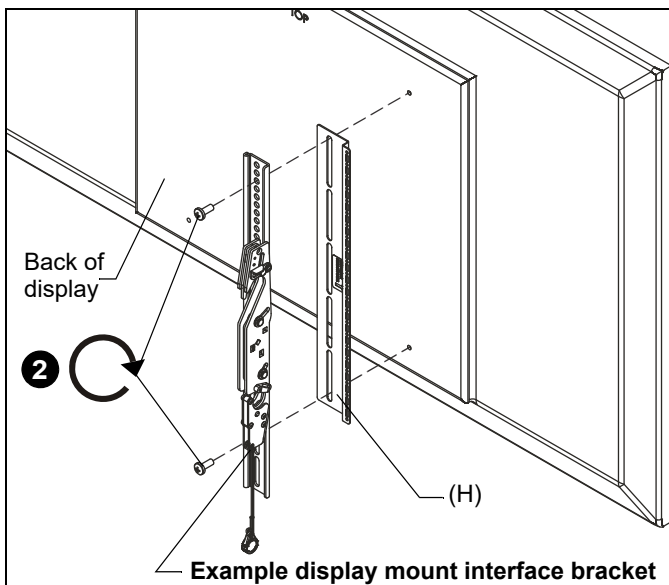


Figure 2

### Installing Mounting Bracket to Display Mount Interface Bracket

**NOTE:** Instead of attaching the mounting bracket (H) to VESA holes in the back of the display, it may also be attached directly to the display mount interface bracket.

1. Place display face down on a soft surface.
2. Connect the mounting bracket (H) to the desired point on the display mount interface bracket with one PEM stud (D) and flange nut (C). (See Figure 3)

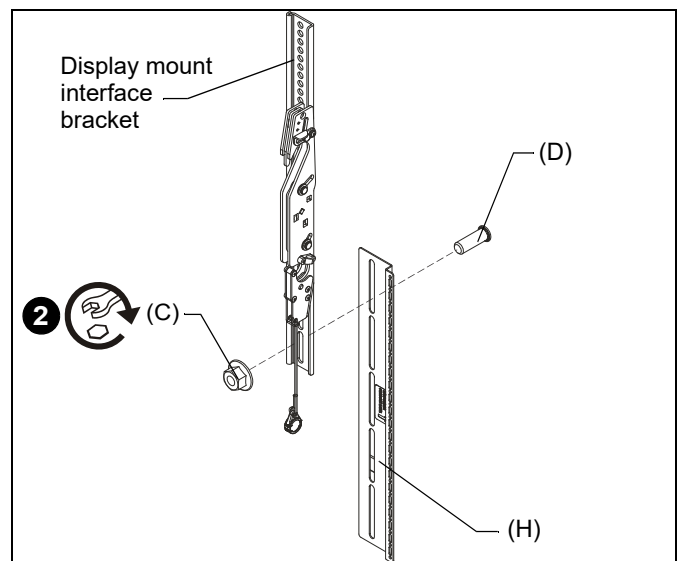


Figure 3

**Installing Thumb Screws / Thumb Nuts**

1. Attach two thumb screws (F) to two thumb nuts (A) through corners of the mounting plate (G). (See Figure 4)

**NOTE:** The thumb screws and thumb nuts should be attached to the corners on the side of the mounting plate (G) opposite where the mounting bracket (H) will be attached.

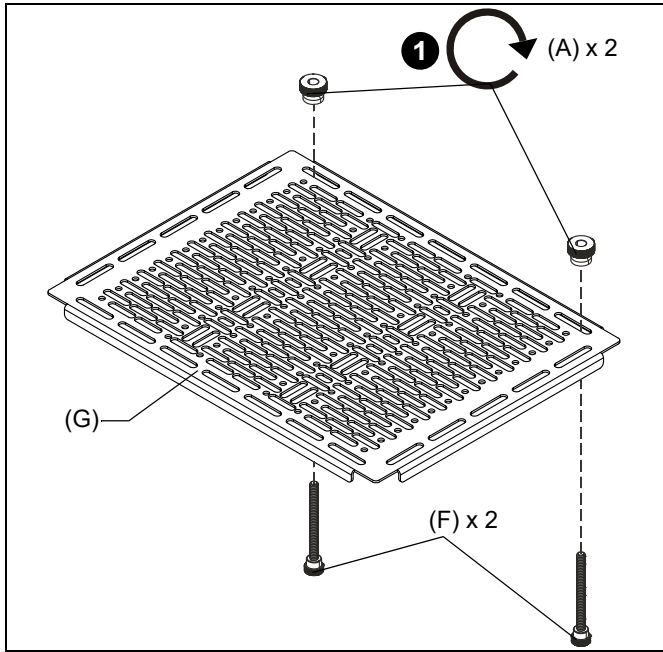


Figure 4

**Attaching Component**

1. Place component(s) on mounting plate (G), and position in the desired location with the hole pattern in mounting plate best aligned to component mounting holes. (See Figure 5)

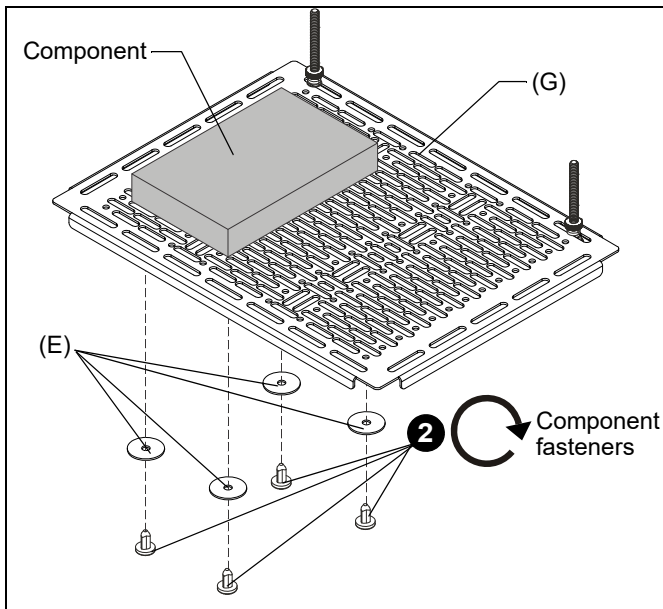


Figure 5

2. Using the fasteners provided with the component and the washers (E), attach the component to the mounting plate (G). (See Figure 5)

**Attaching Mounting Plate to Mounting Bracket**

1. Using two 10-32 x 3/8" thread forming screws (B) fasten mounting bracket (H) to mounting plate (G). (See Figure 6)

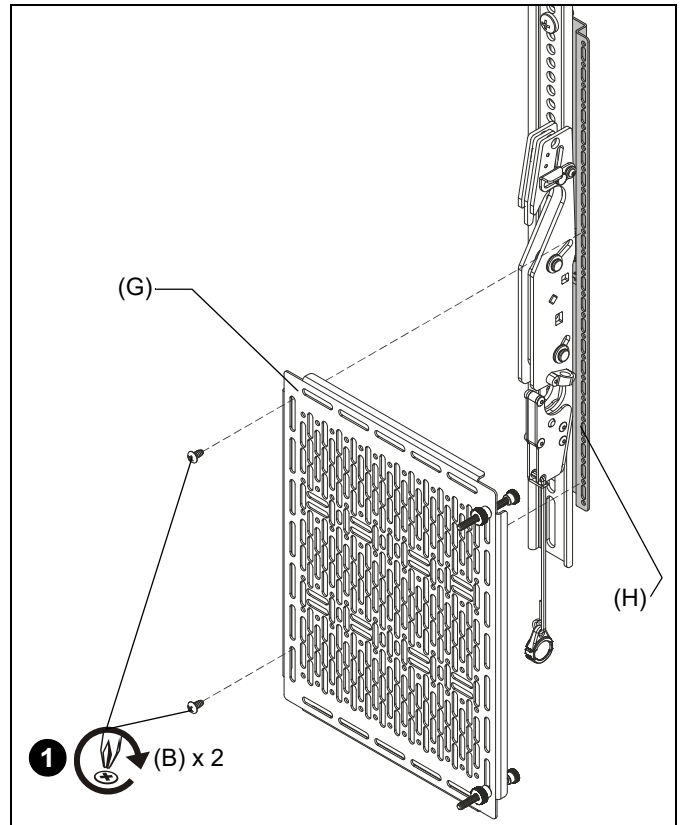


Figure 6

**Adjusting / Trimming the Thumb Screws**

1. Loosen the two thumb screws (F) from the two thumb nuts (A) until the mounting plate (G) is parallel to the back of the display. (See Figure 7)
2. Use a wire cutter to trim off remaining excess portion of the two thumb screws (F). (See Figure 7)

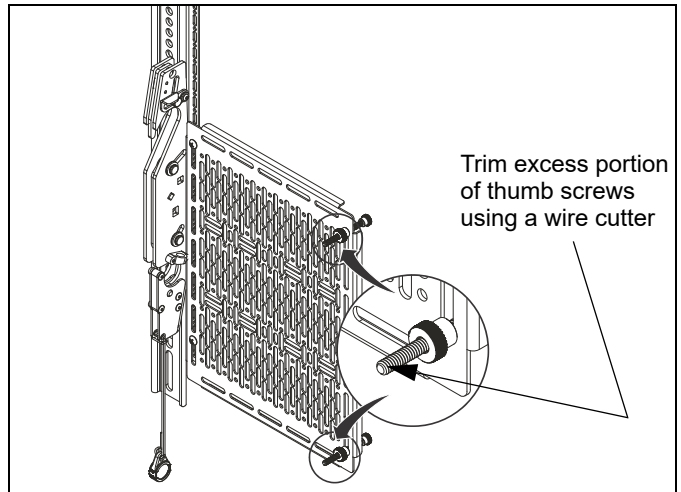


Figure 7



A brand of  **legrand**

8800-003124 Rev01  
©2019 Legrand | AV  
[www.legrandav.com](http://www.legrandav.com)  
03/19

<b>USA/International</b>	<b>A</b> 6436 City West Parkway, Eden Prairie, MN 55344 <b>P</b> 800.582.6480 / 952.225.6000 <b>F</b> 877.894.6918 / 952.894.6918
<b>Europe</b>	<b>A</b> Franklinstraat 14, 6003 DK Weert, Netherlands <b>P</b> +31 (0) 495 580 852 <b>F</b> +31 (0) 495 580 845
<b>Asia Pacific</b>	<b>A</b> Office No. 918 on 9/F, Shatin Galleria 18-24 Shan Mei Street Fotan, Shatin, Hong Kong <b>P</b> 852 2145 4099 <b>F</b> 852 2145 4477

