

## TRVT586

tru·vue™

# TruVue Mobile XL Height Adjustable Trolley

For 55" - 86" LCD/LED Displays

The TruVue TRVT586 provides a sleek & tidy mobile solution for 55" - 86" displays. Complete with 2 heavy duty poles to display the screen centre at a maximum height of 1650mm (64.9").

It's unique and convenient Display height adjustment is complimented by spring plungers allowing the display to be vertically positioned easily. Complete with cable management and 4 heavy duty braked caster wheels. The TRVT586 also comes with a spacious metal shelf for AV component.



### FEATURES

- Height Adjustable: Distance from floor to centre of display  
Min: 1350mm (53.1")  
Max: 1650mm (64.9")
- Universal VESA@ 200x200 up to 800x500mm
- Metal component shelf for AV equipment  
w: 506mm x d: 323mm  
Max load: 10kg (25lbs)
- Internal Cable Management; hide cables to provide a tidy look.
- Smooth matt black finish



Display size: 55" - 86"



Max load: 70kg (154 lbs)

#### HEIGHT ADJUSTMENT

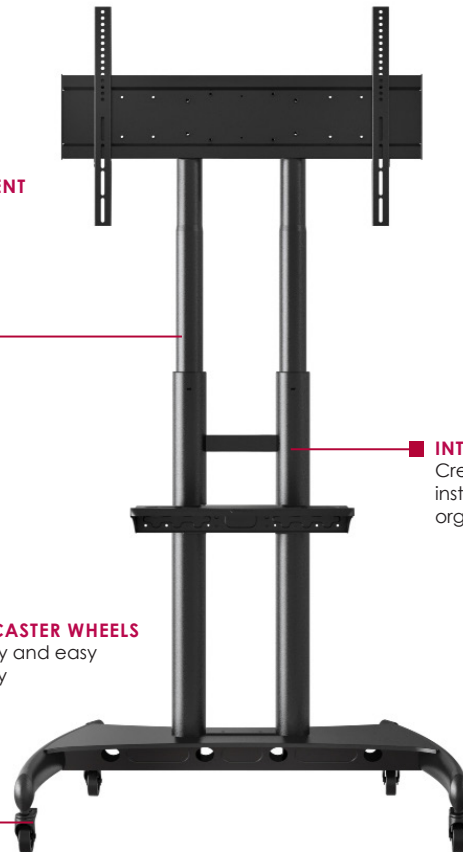
Adjusts & Locks Position

#### INTERNAL CABLE MANAGEMENT

Creates a clean, professional installation while protecting and organising the cables

#### X4 LOCKING CASTER WHEELS

Provides stability and easy manoeuvrability



## Model Numbers

**WARRANTY:** Limited 5-year

**TRVT586**

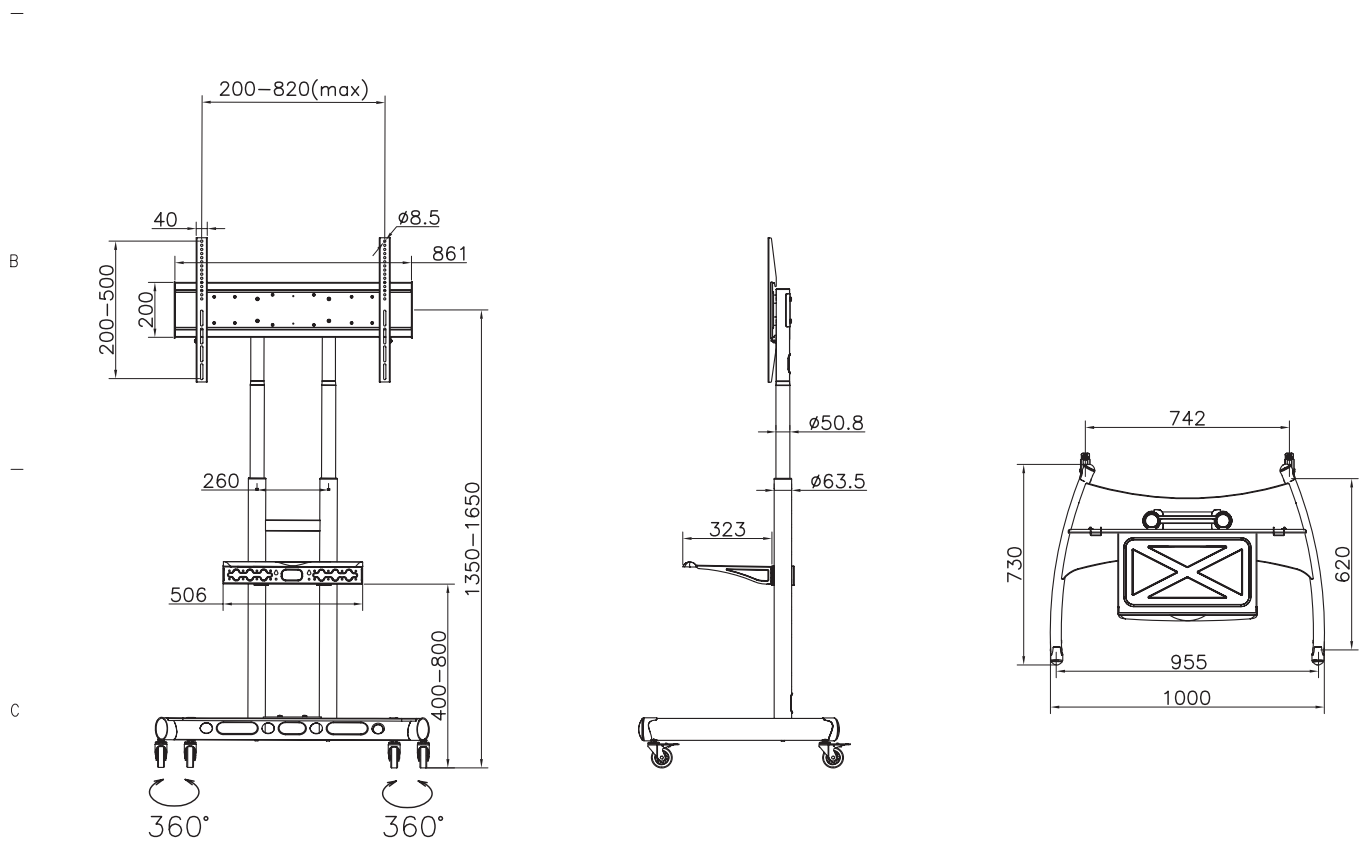
TruVue Mobile XL Height Adjustable Trolley TRVT586

## Product Specifications

	DIMENSIONS (W x H x D)	PRODUCT WEIGHT	LOAD CAPACITY	FINISH	AVAILABLE COLOURS
<b>TRVT586</b>	1000 x 1890 x 730mm (39.3" x 74.4" x 28.7")	32kg (70 lbs)	70kg (154 lbs)	Powder Coat	Black

## Package Specifications

	PACKAGE SIZE (L x W x H)	PACKAGE SHIP WEIGHT	PACKAGE UPC CODE	PACKAGE CONTENTS	UNITS IN PACKAGE
<b>TRVT586</b>	1065 x 165 x 812mm (41.9" x 6.4" x 31.9")	36.5kg (80.3lbs)	735029338772	Trolley, Component shelf, Instructions, Mounting Hardware	1



Visit [peerless-av.com](http://peerless-av.com) to see the complete line of AV solutions from Peerless-AV, including outdoor displays, wireless, kiosks, digital audio, display mounts, projector mounts, carts/stands, and a full assortment of accessories.

**Peerless-AV**  
2300 White Oak Circle  
Aurora, IL 60502 USA  
**(800) 865-2112**  
**(630) 375-5100**  
**Fax: (800) 359-6500**

**Peerless-AV Europe**  
Unit 3 Watford Interchange  
Colonial Way, Watford  
Herts, WD24 4WP  
United Kingdom  
**+44 (0) 1923 200100**  
**Fax: +44 (0) 1923 200101**

**Peerless-AV de México**  
Ave de las Industrias 413  
Parque Industrial Escobedo  
Escobedo, N.L.,  
Mexico 66050  
**+52 (81) 8384-8300**  
**Fax: +52 (81) 8384-8360**

**peerless-AV®**

LIT-1788