

# bouncepad®

## Sumo 270° Mounting Arm

### Assembly Instructions

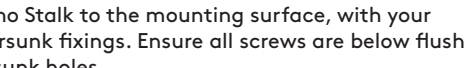
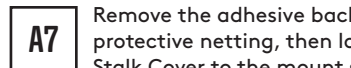
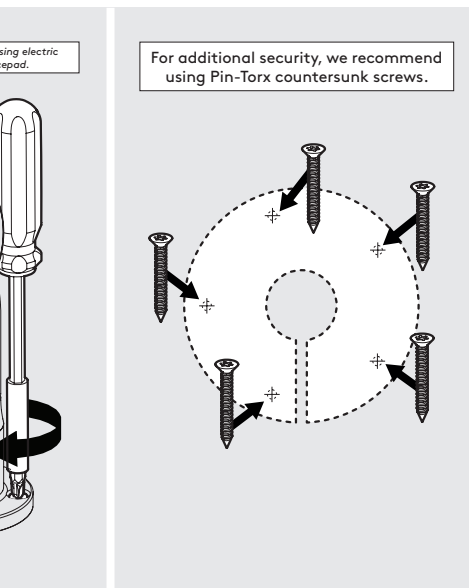
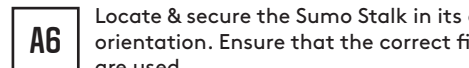
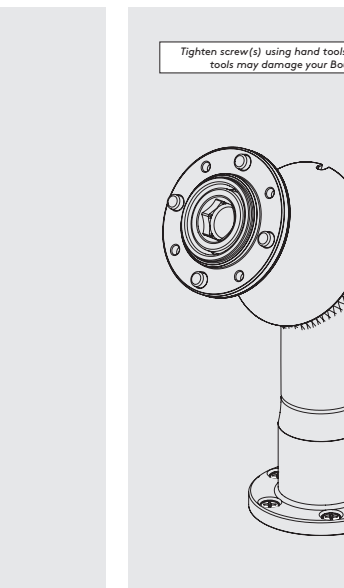
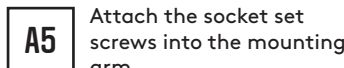
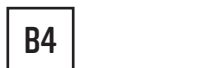
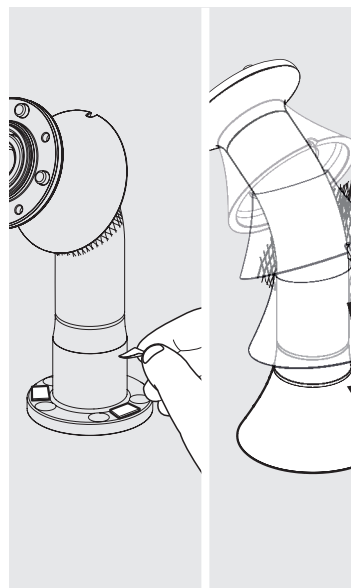
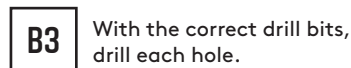
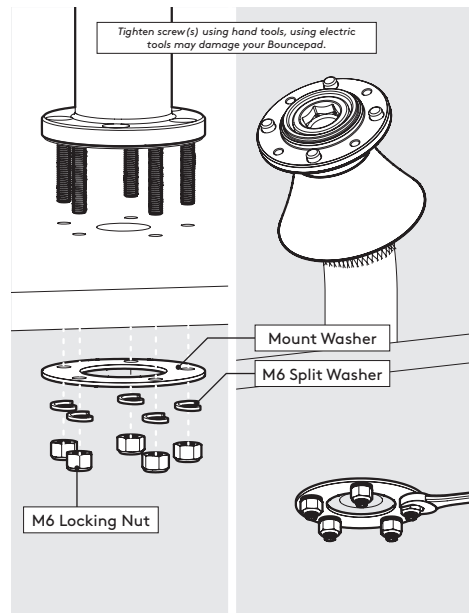
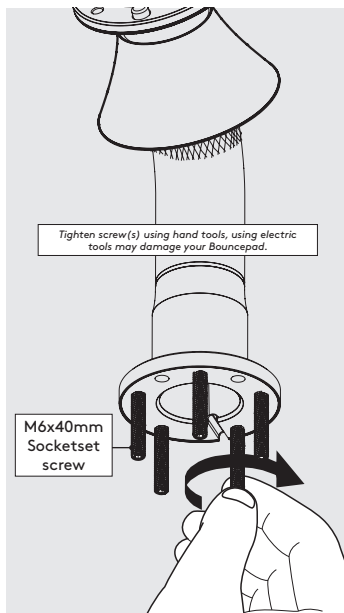
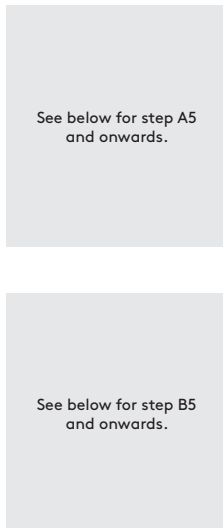
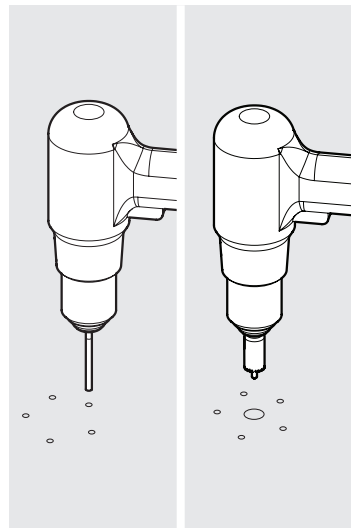
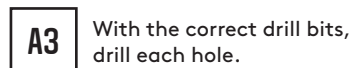
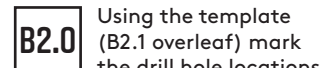
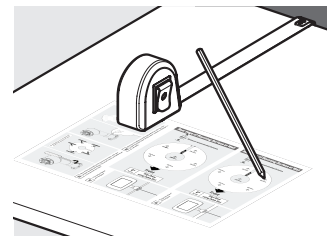
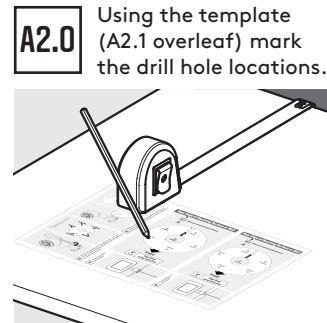
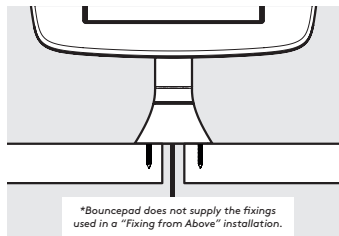
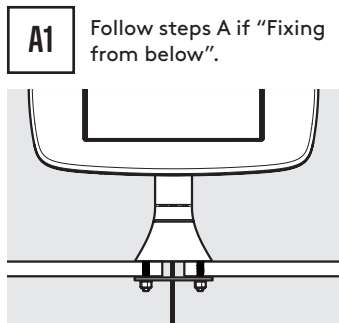
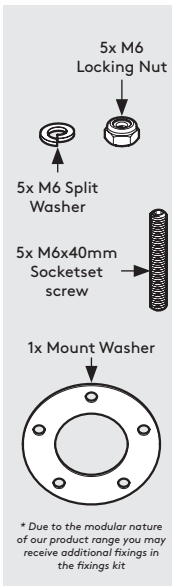
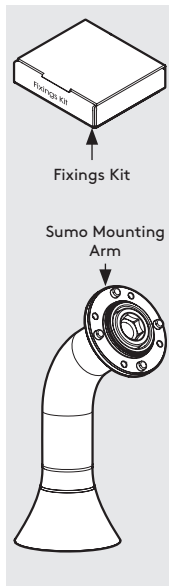
#### Tools Required:

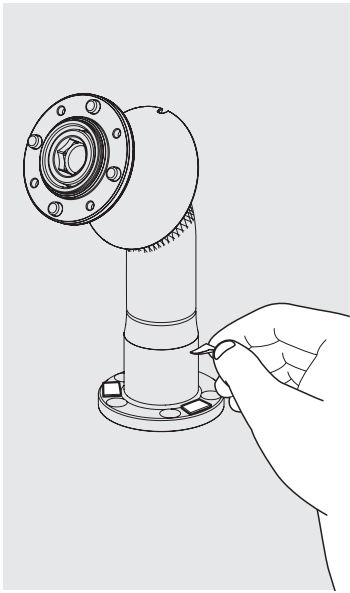
- Pencil
- Drill
- Ø6.0mm Drillbit
- Ø2.5mm Drillbit
- Ø16.0mm Holesaw
- 10mm Spanner *\*or adjustable spanner*

Sheet Code: BP-IM-055\_REV0

Release Date: 01/10/2019

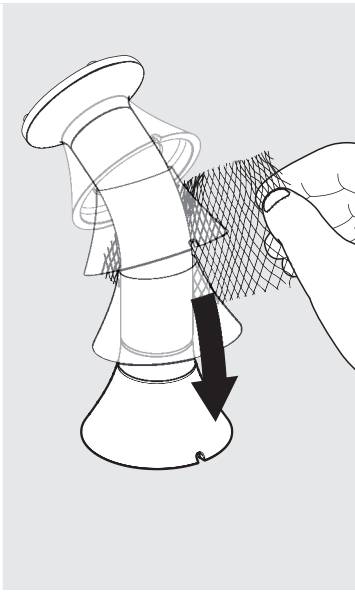
Copyright 2016 Spotspot Ltd. (T/A Bouncepad) all rights reserved. Confidential, no part of this publication may be reproduced or transmitted in any form without the written permission of the copyright holder.





**B6**

Remove the adhesive backing & protective netting, then locate the Stalk Cover to the mount surface. Installation is complete.

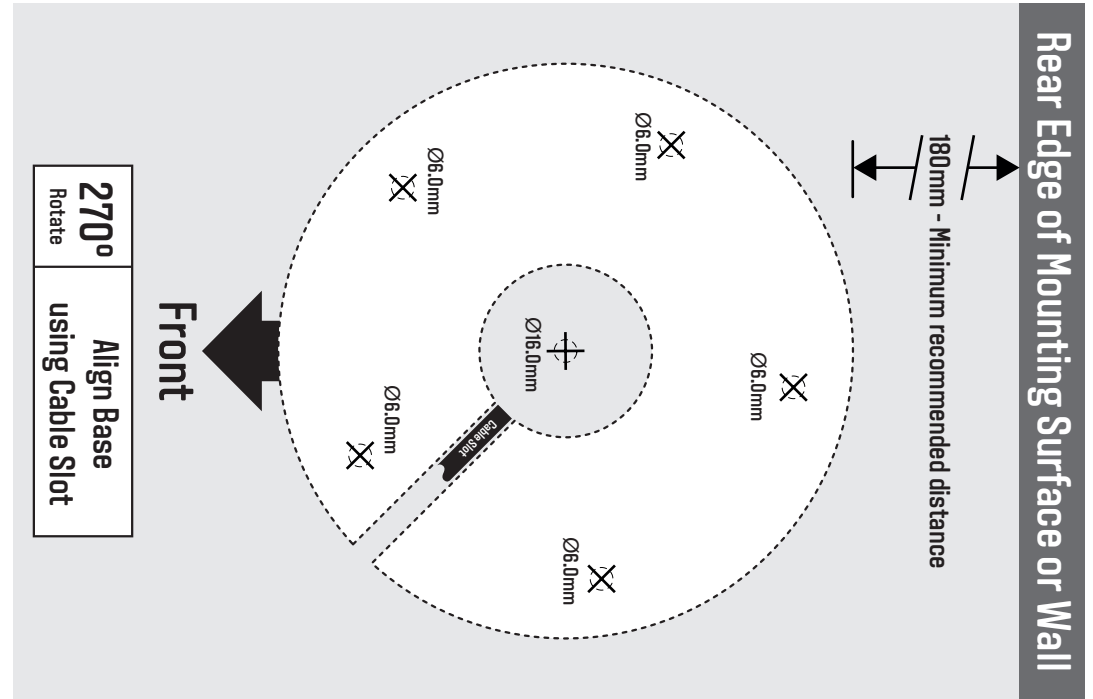
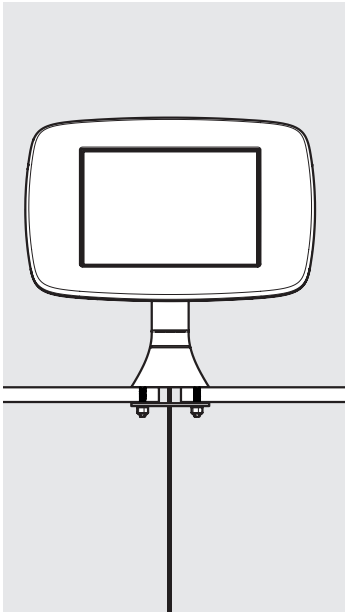


**B7**

Installation complete.

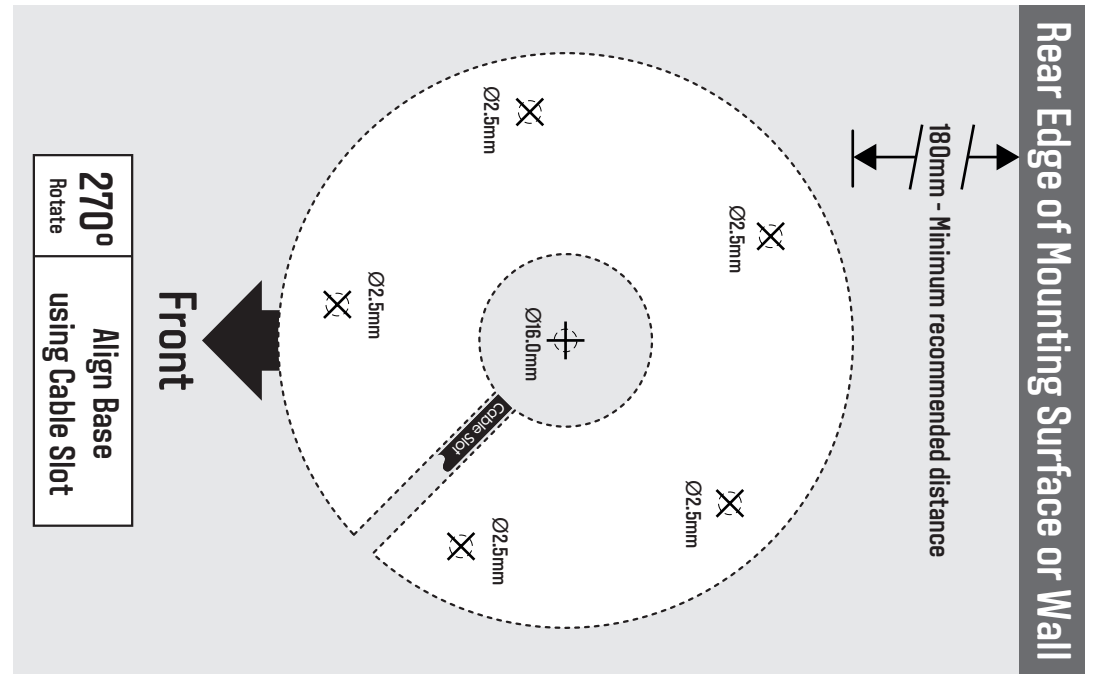
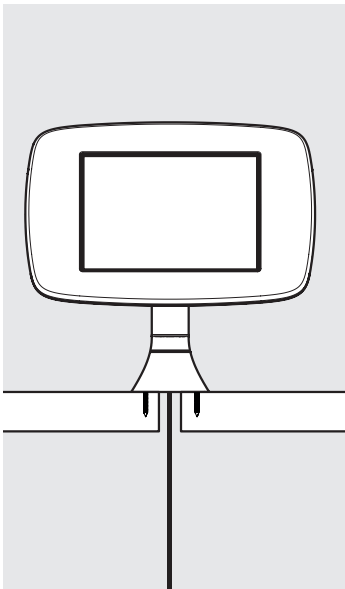
**A2.1**

“Fixing from Below” drill template



**B2.1**

“Fixing from Above” drill template



## Sumo Enclosure Assembly Instructions

### Tools Required:

- Socket Driver

Sheet Code: BP-IM-049\_REV1

Release Date: 01/10/2019

Copyright 2016 Spotspot Ltd. (T/A Bouncepad) all rights reserved. Confidential, no part of this publication may be reproduced or transmitted in any form without the written permission of the copyright holder.

