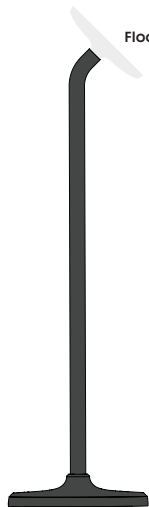
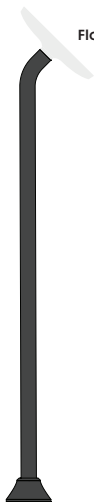


Assembly Instructions

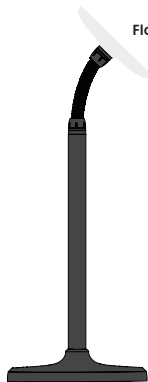
bouncepad™



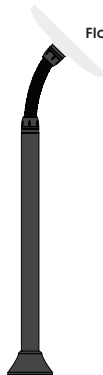
Floorstanding



Floorstanding Slim

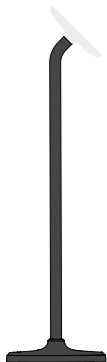


Floor Flex

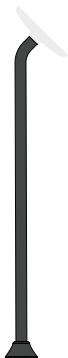


Floor Flex Slim

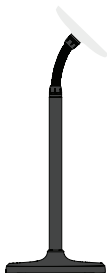
Contents



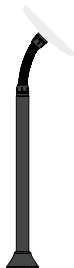
Floorstanding
p.3



Floorstanding Slim
p.22



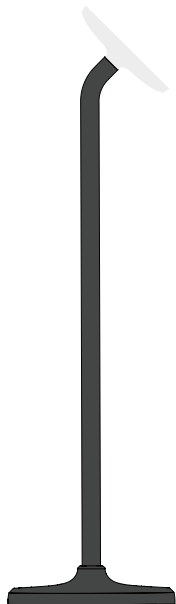
Floor Flex
p.36



Floor Flex Slim
p.55

Assembly Instructions

Floorstanding



What's in the Box



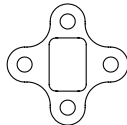
M6 25mm Countersunk Screw x4



P22 Driver Bit x1



M6 Split Washer x4



Case Washer x1



M6 Hex Nut x4



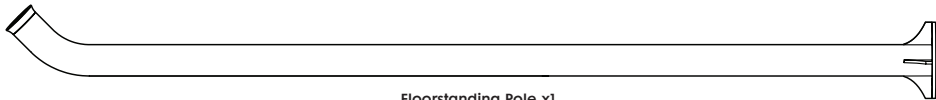
M4 20mm Buttonhead Screw x4



T20 Driver Bit x1

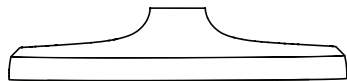


M4 Split Washer x4

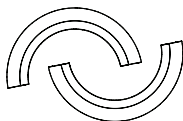


Floorstanding Pole x1

What's in the Box



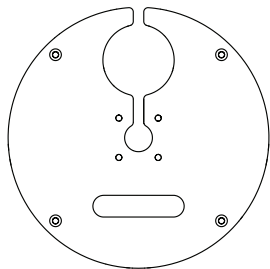
Spinner x1



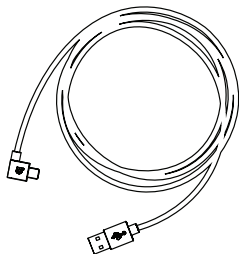
Split Collar x1



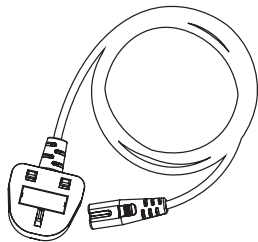
Cover Panel x1



Base x1

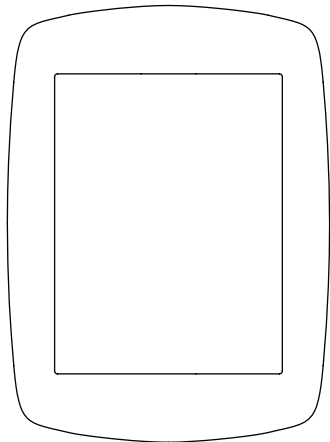


2m USB Cable x1

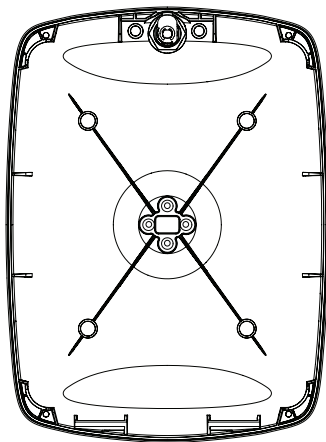


2m extension Cable (optional) x1

What's in the Box



Faceplate x1



Case x1

Tablet Setup Kit



Keys x2



Tablet Support x4



Corner Pieces x4



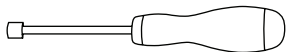
Cable Clip x1



Sticker x1

Tools for the Job

Required

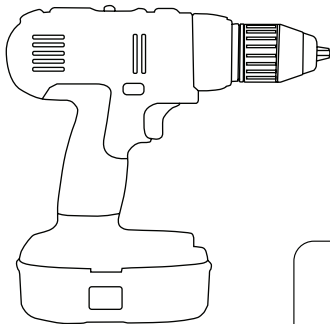


Socket Screwdriver

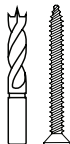


10mm Spanner or Adjustable Wrench

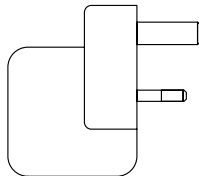
Optional



Hand Drill

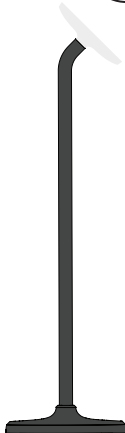


M6 fixings and
Drill bit (specific to
your floor type)



Apple Transformer
(iPad Only)

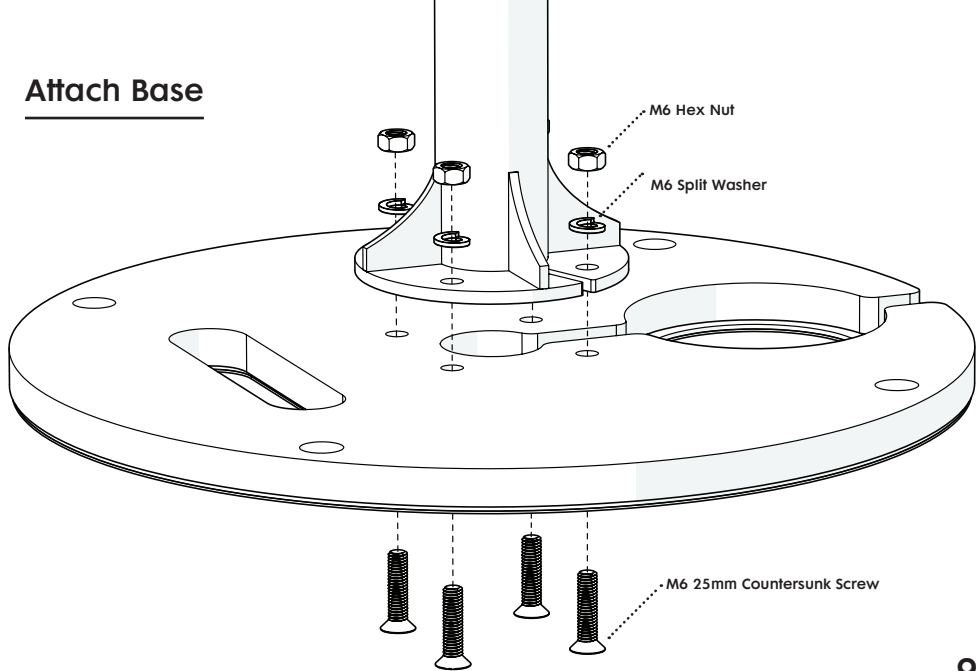
Installation Guidelines



Avoid Glare

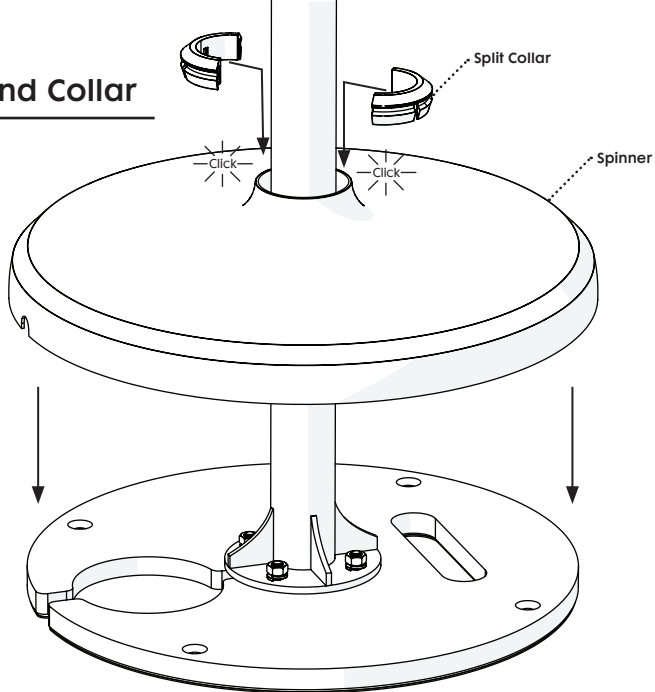
Don't install directly
beneath a light source

Attach Base

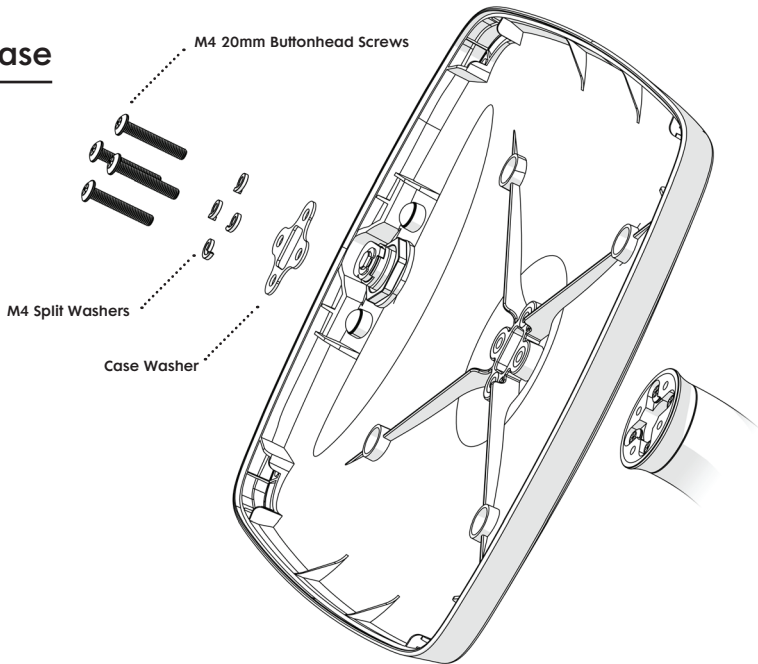


Fit Spinner and Collar

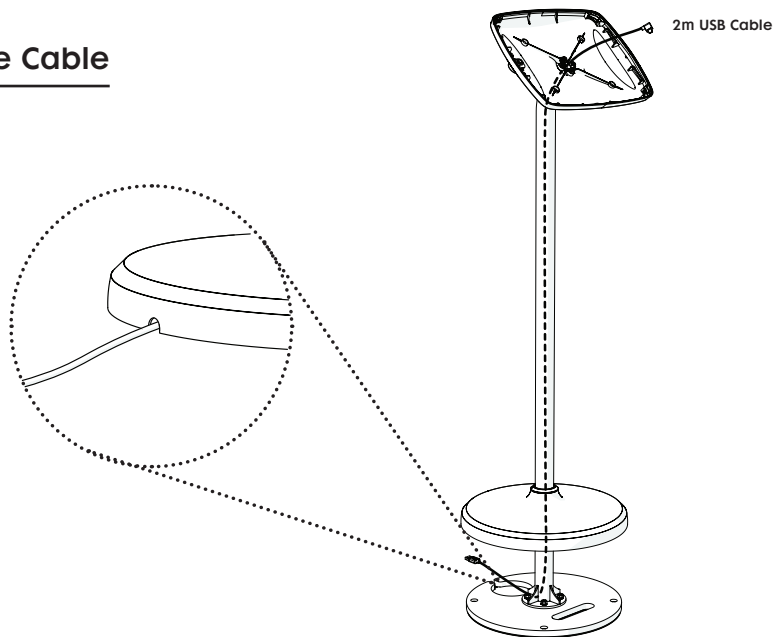
1. Slide Spinner over Pole
2. Click Collar into Place



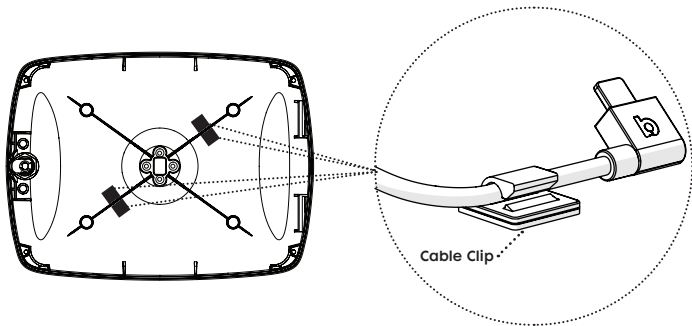
Attach Case



Route Cable

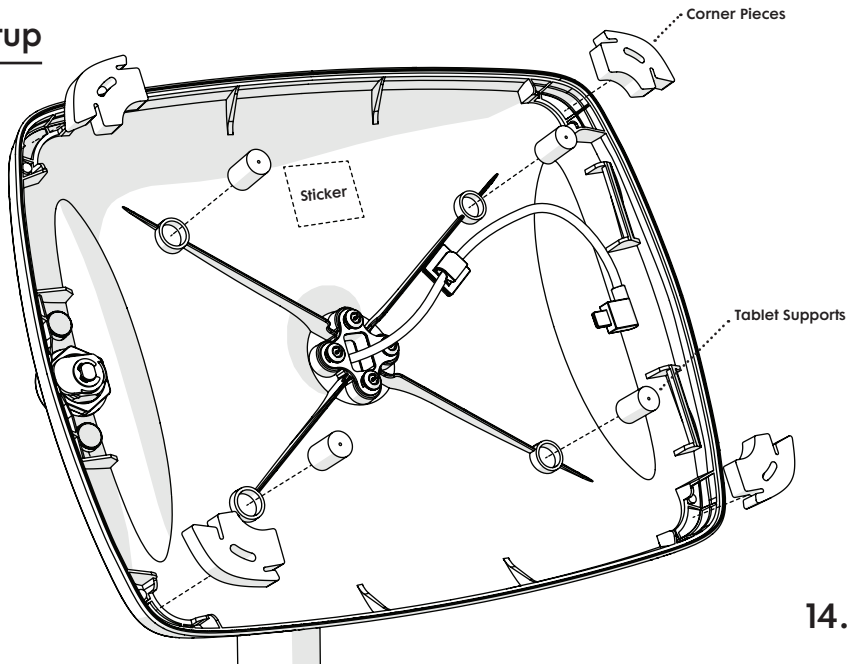


Route Cable

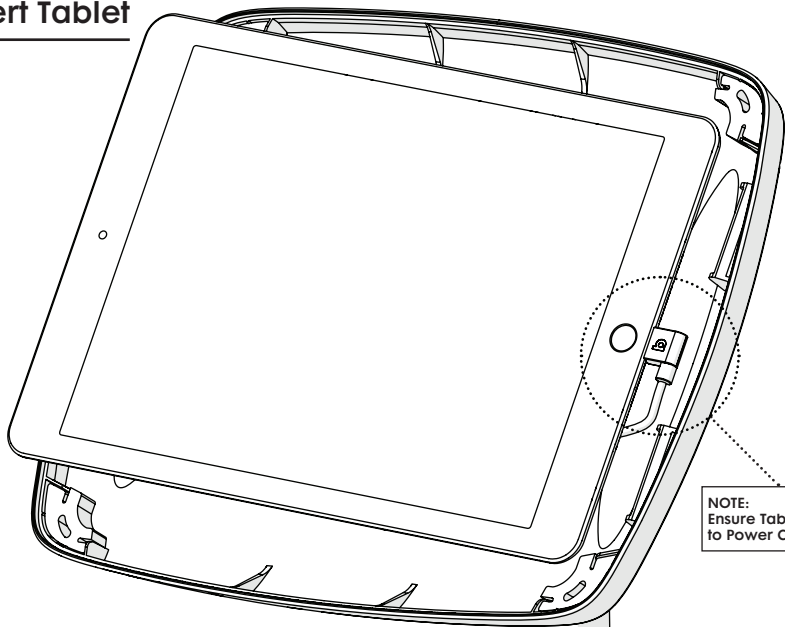


Use the adhesive cable clip to secure cable in the nearest quadrant to the Tablet Power Port

Case Setup

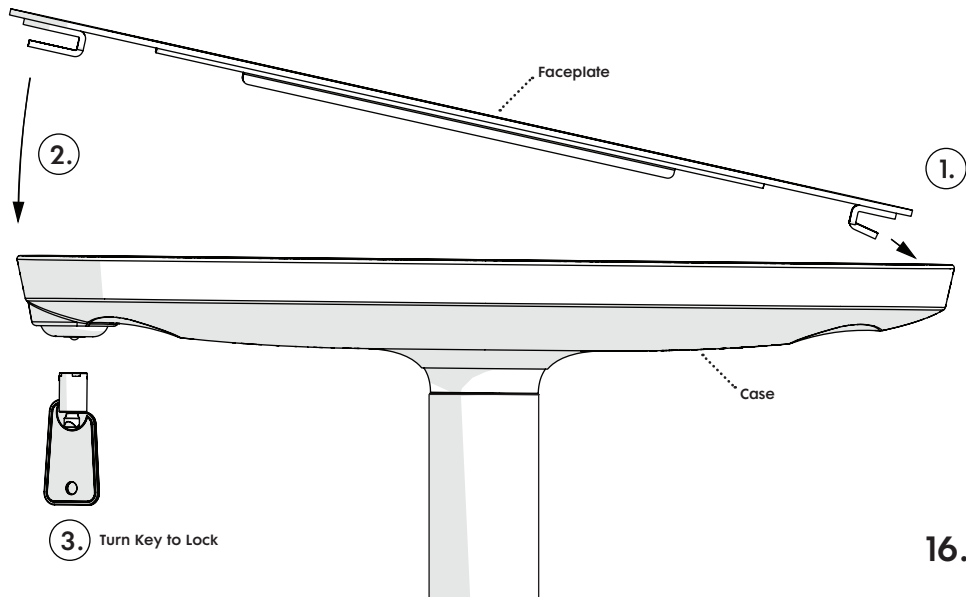


Insert Tablet



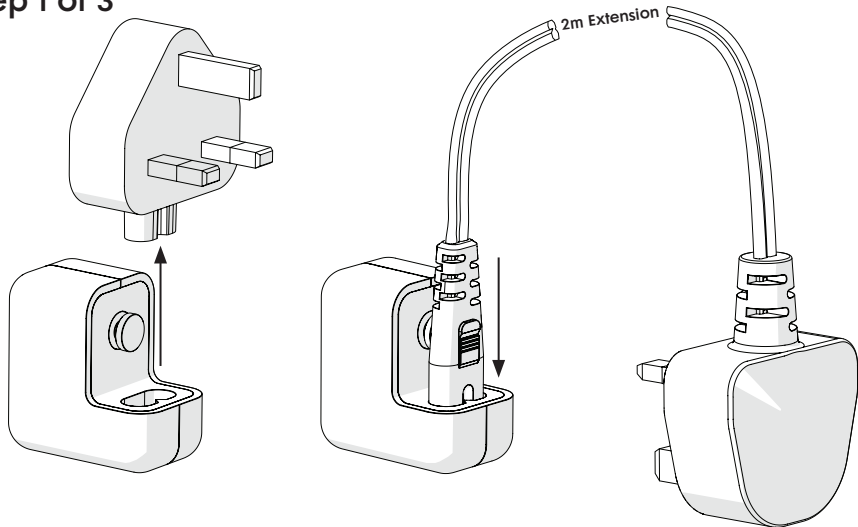
NOTE:
Ensure Tablet is connected
to Power Cable

Lock Up



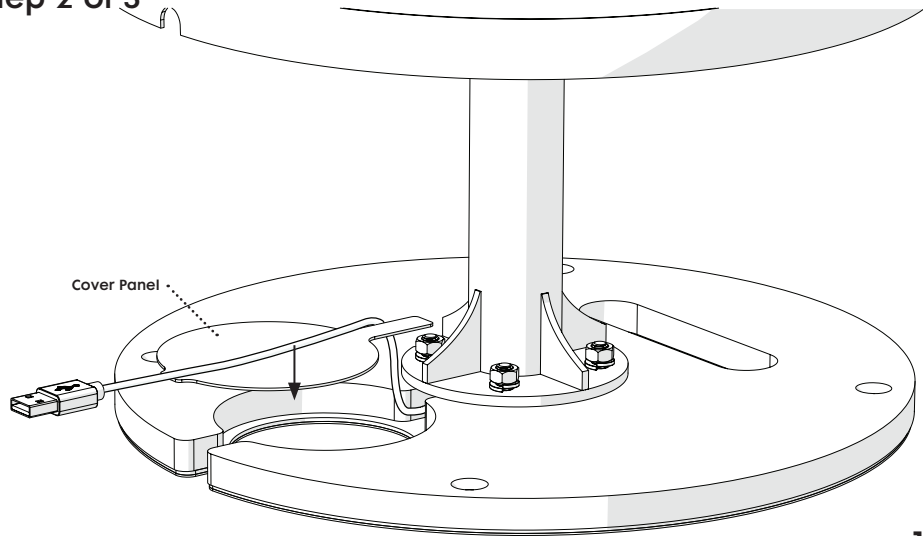
Extend Cable (optional - iPad only)

step 1 of 3



Extend Cable

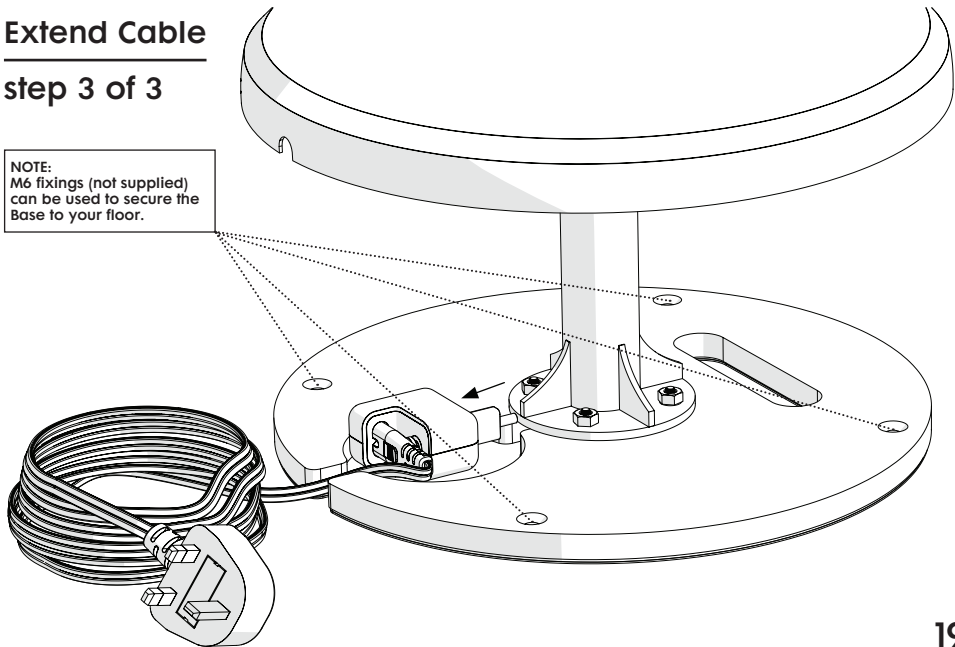
step 2 of 3



Extend Cable

step 3 of 3

NOTE:
M6 fixings (not supplied)
can be used to secure the
Base to your floor.



Your Bouncepad is now installed

For further information and support please contact us:

UK & International

+44 (0) 020 3693 0000
hello@bouncepad.com
www.bouncepad.com

Deutschland

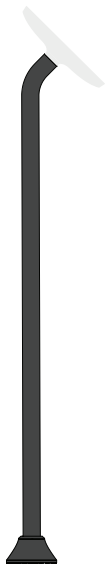
+49 (0) 30 6098 5170
hallo@bouncepad.com
www.bouncepad.com/de

USA & Canada

1-617-804-0110
hi@bouncepad.com
www.bouncepad.com/us

Assembly Instructions

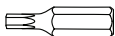
Floorstanding Slim



What's in the Box



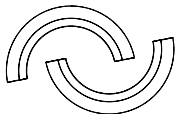
M4 20mm Buttonhead Screw x4



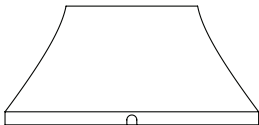
T20 Driver Bit x1



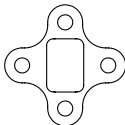
M4 Split Washer x4



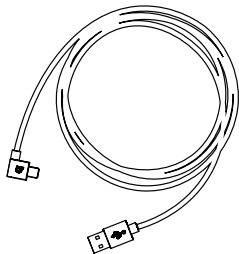
Split Collar x1



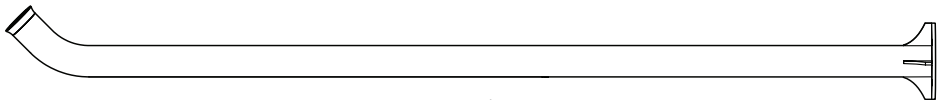
Mini Spinner x1



Case Washer x1

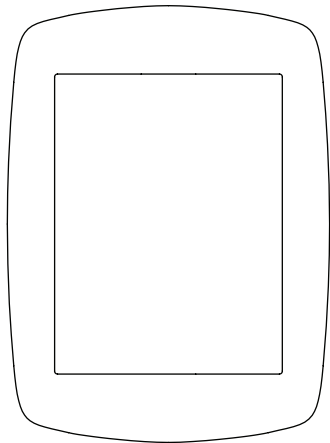


2m USB Cable (optional) x1

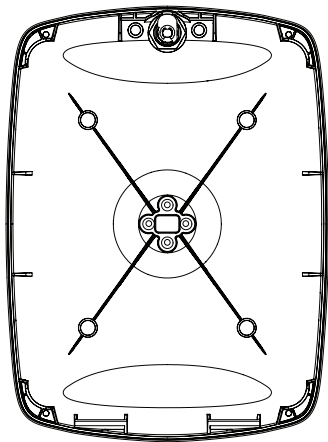


Floorstanding Pole x1

What's in the Box



Faceplate x1



Case x1

Tablet Setup Kit



Keys x2



Tablet Support x4



Corner Pieces x4

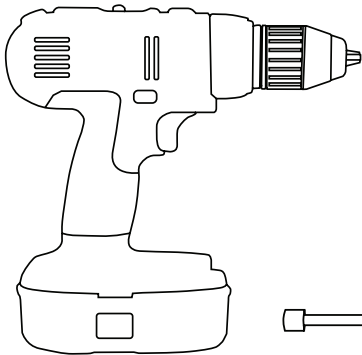


Cable Clip x1

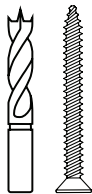


Sticker x1

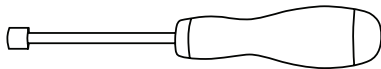
Tools for the Job



Hand Drill

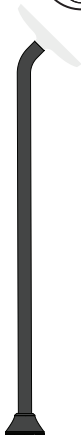


M6 fixings and Drill bit
(specific to your floor type)



Socket Screwdriver

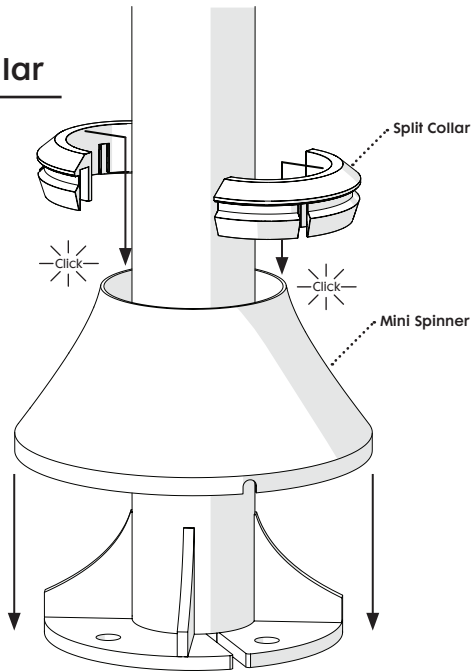
Installation Guidelines



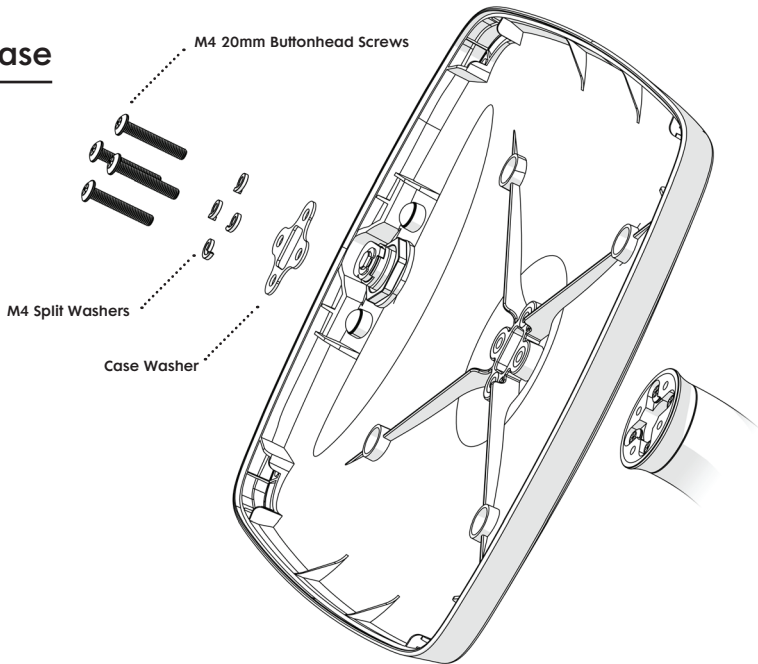
Avoid Glare
Don't install directly
beneath a light source

Fit Spinner and Collar

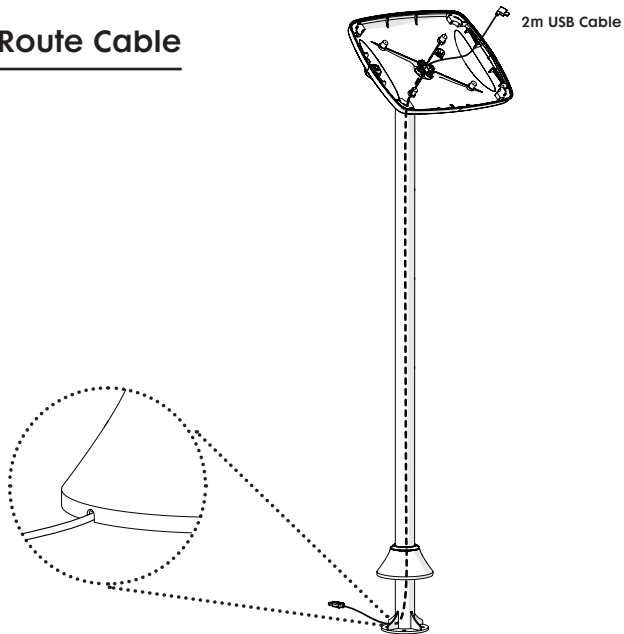
1. Slide Spinner over Pole
2. Click Collar into Place



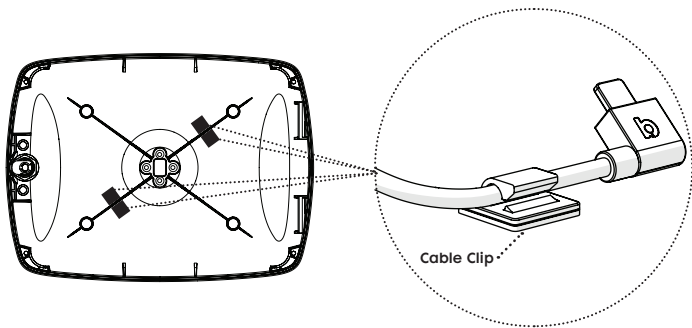
Attach Case



Route Cable



Route Cable

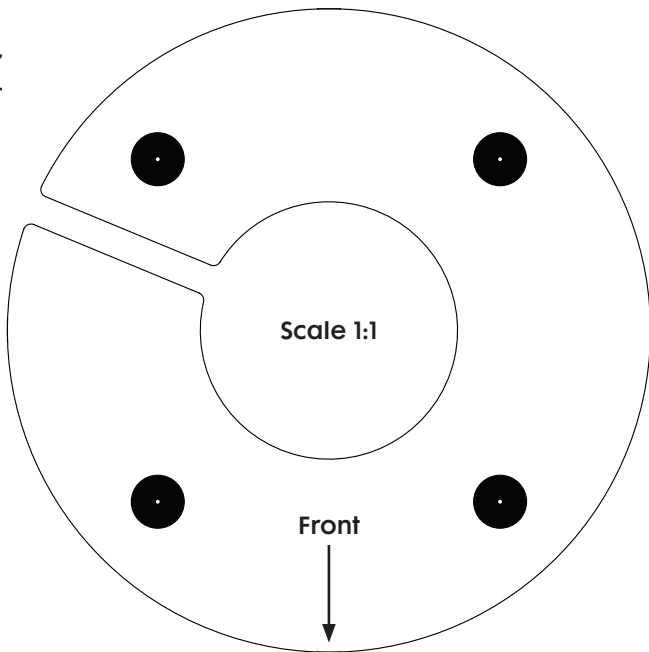


Use the adhesive cable clip to secure cable in the nearest quadrant to the Tablet Power Port

Attach to Floor

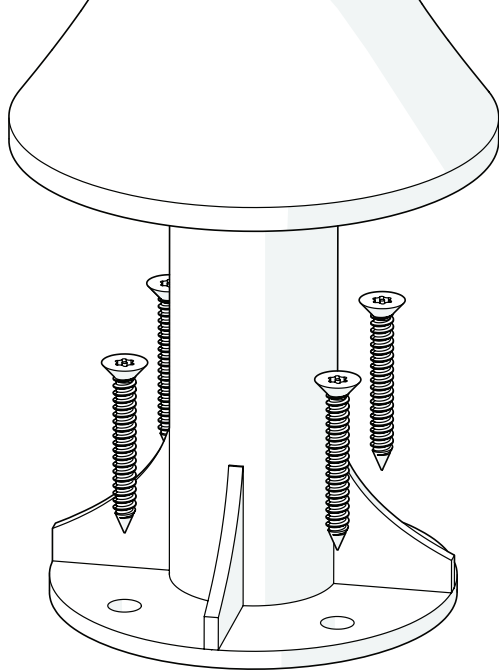
Use either the 4 holes at the base of the Floorstanding Pole, or this template to mark the hole positions on your floor with a pencil

Use the drill bit appropriate for your floor type to drill pilot holes for your chosen screws

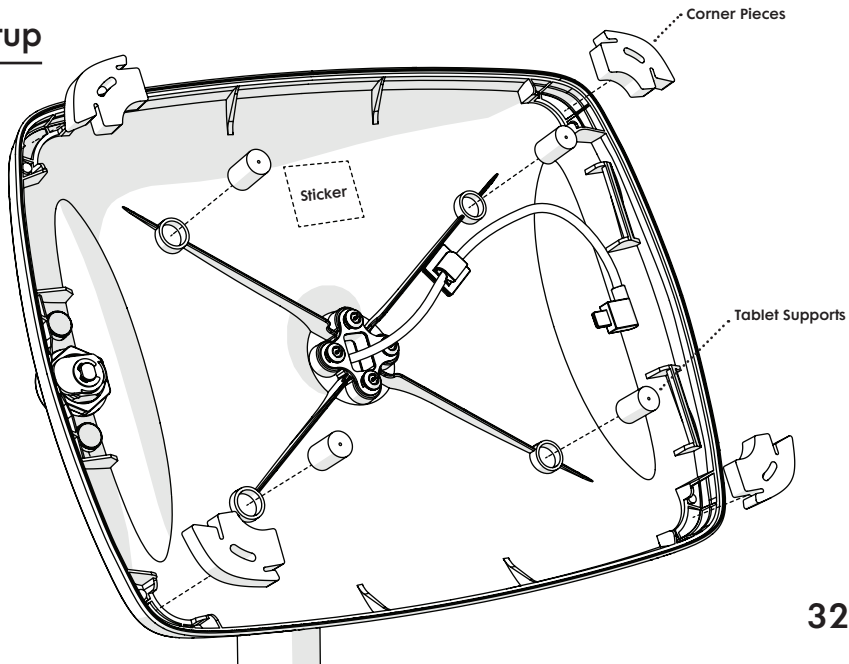


Attach to Floor

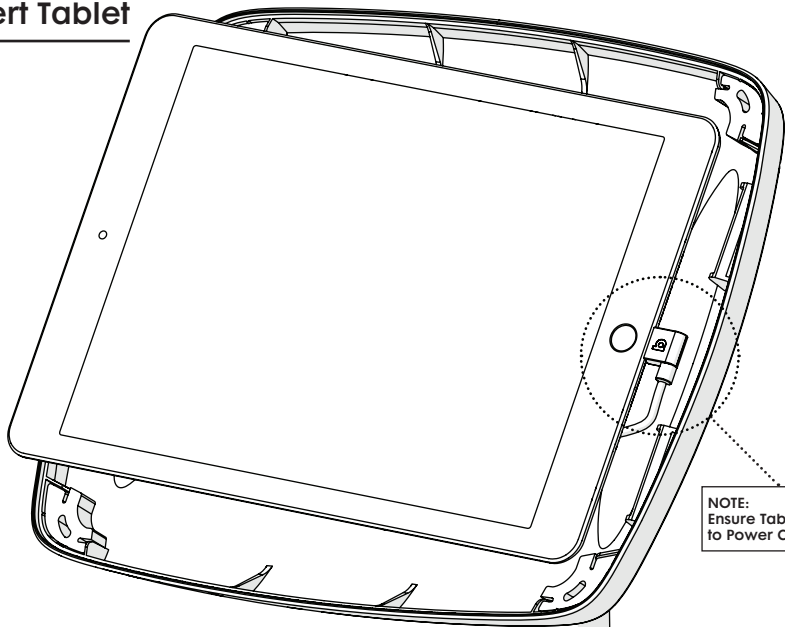
Use your chosen M6 screws
(not supplied) to fix the
Floorstanding Pole to your floor



Case Setup

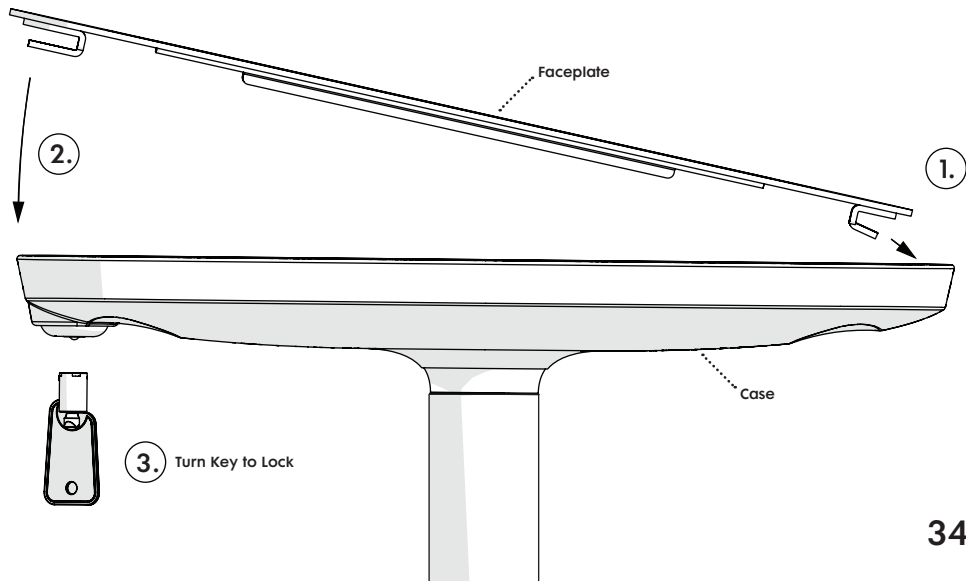


Insert Tablet



NOTE:
Ensure Tablet is connected
to Power Cable

Lock Up



Your Bouncepad is now installed

For further information and support please contact us:

UK & International

+44 (0) 020 3693 0000
hello@bouncepad.com
www.bouncepad.com

Deutschland

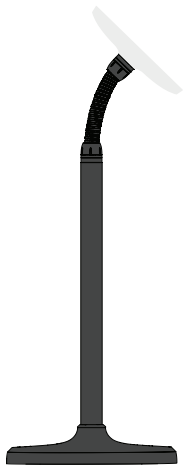
+49 (0) 30 6098 5170
hallo@bouncepad.com
www.bouncepad.com/de

USA & Canada

1-617-804-0110
hi@bouncepad.com
www.bouncepad.com/us

Assembly Instructions

Floor Flex



What's in the Box



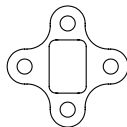
M6 25mm Countersunk Screw x4



P22 Driver Bit x1



M6 Split Washer x4



Case Washer x1



M6 Hex Nut x4



M4 16mm Buttonhead Screw x4



T20 Driver Bit x1

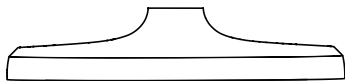


M4 Split Washer x4

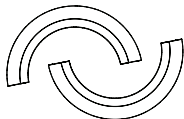


Floor Flex Pole x1

What's in the Box



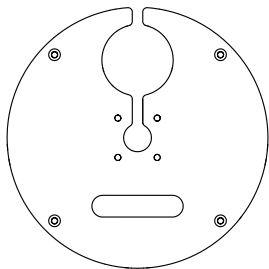
Spinner x1



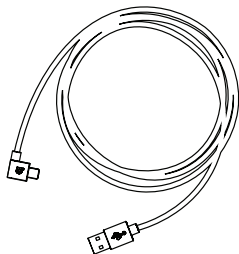
Split Collar x1



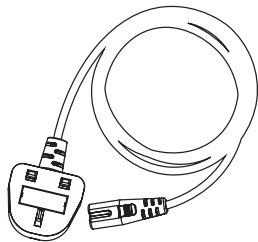
Cover Panel x1



Base x1

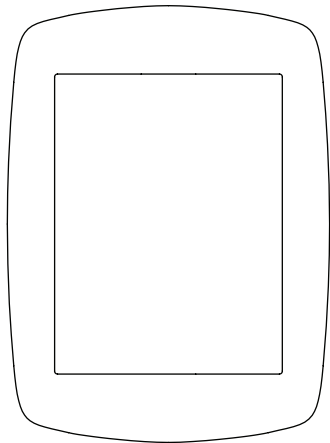


2m USB Cable x1

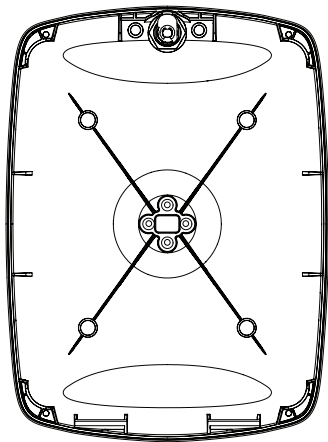


2m extension Cable (optional) x1

What's in the Box



Faceplate x1



Case x1

Tablet Setup Kit



Keys x2



Tablet Support x4



Corner Pieces x4



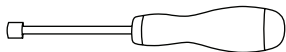
Cable Clip x1



Sticker x1

Tools for the Job

Required

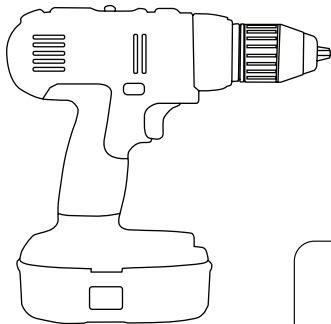


Socket Screwdriver

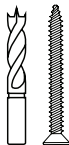


10mm Spanner or Adjustable Wrench

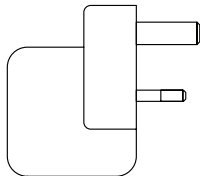
Optional



Hand Drill

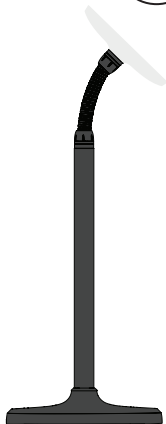


M6 fixings and
Drill bit (specific to
your floor type)



Apple Transformer
(iPad Only)

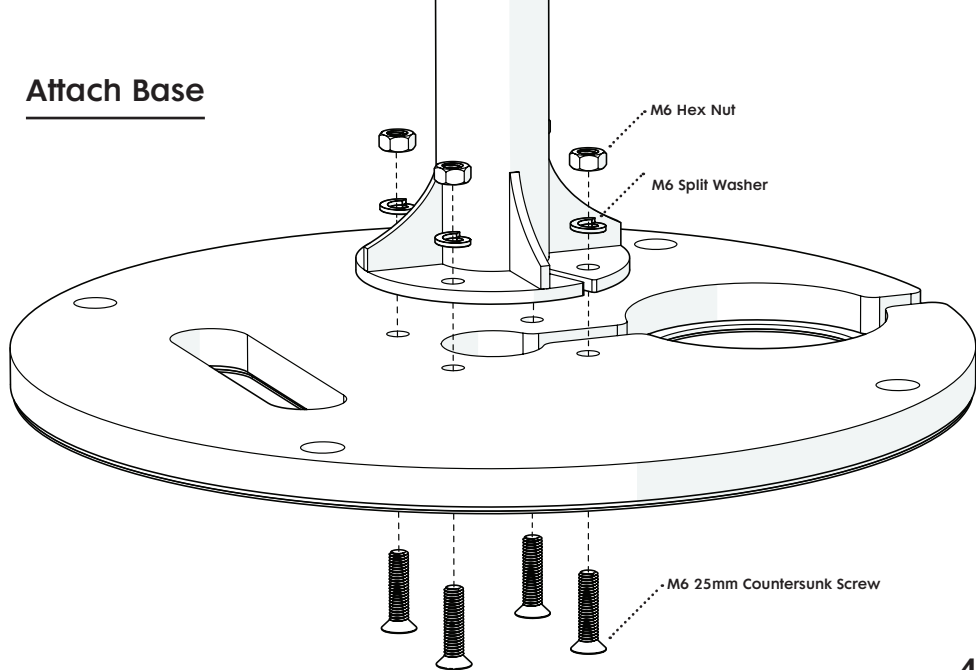
Installation Guidelines



Avoid Glare

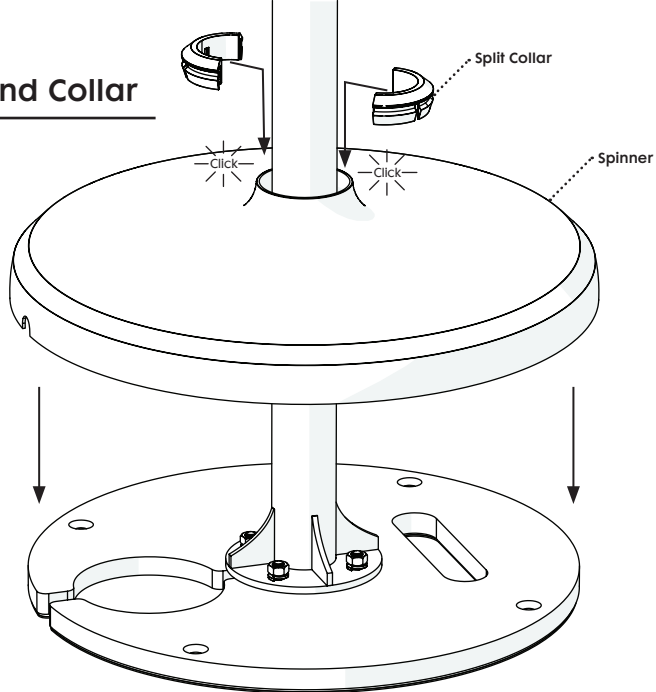
**Don't install directly
beneath a light source**

Attach Base

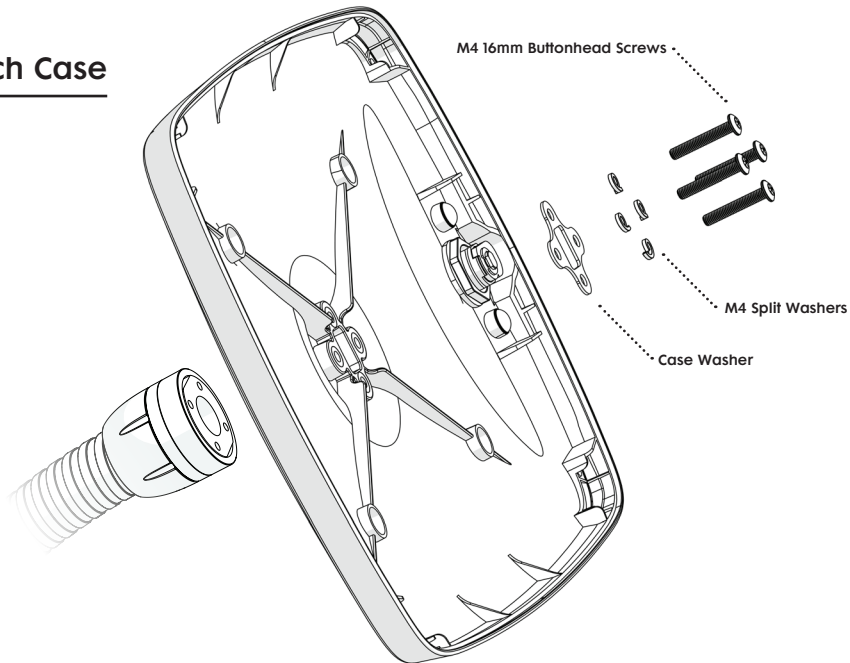


Fit Spinner and Collar

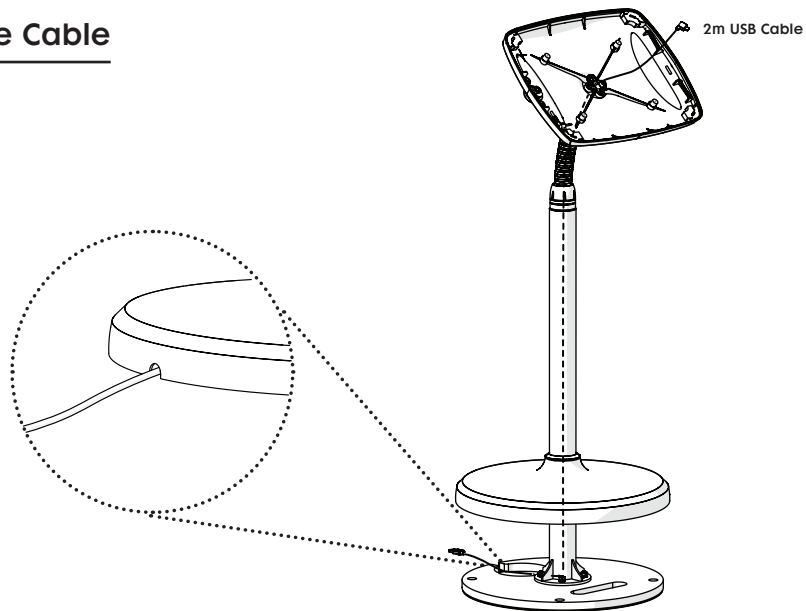
1. Slide Spinner over Pole
2. Click Collar into Place



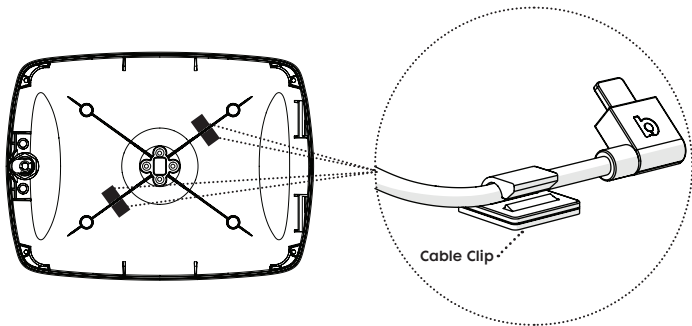
Attach Case



Route Cable

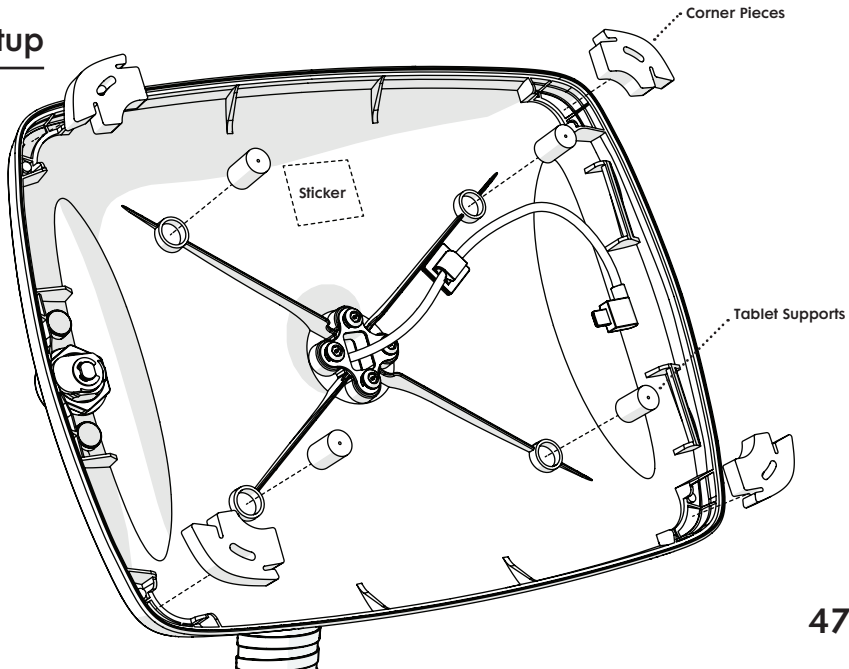


Route Cable

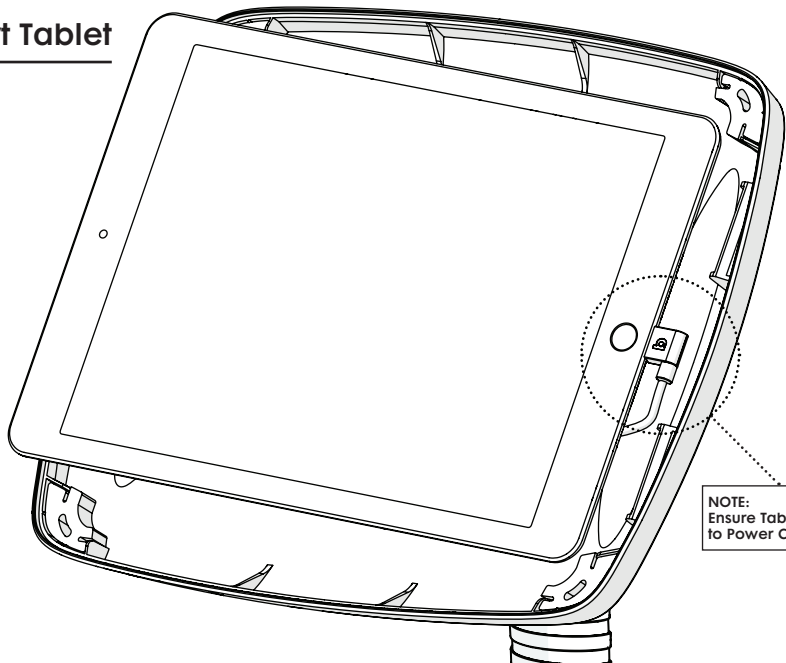


Use the adhesive cable clip to secure cable in the nearest quadrant to the Tablet Power Port

Case Setup

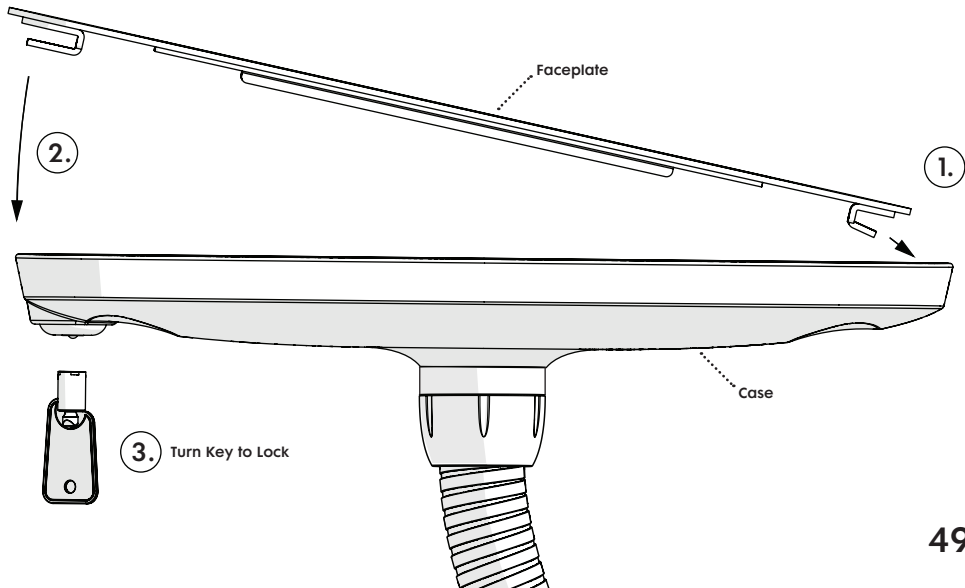


Insert Tablet



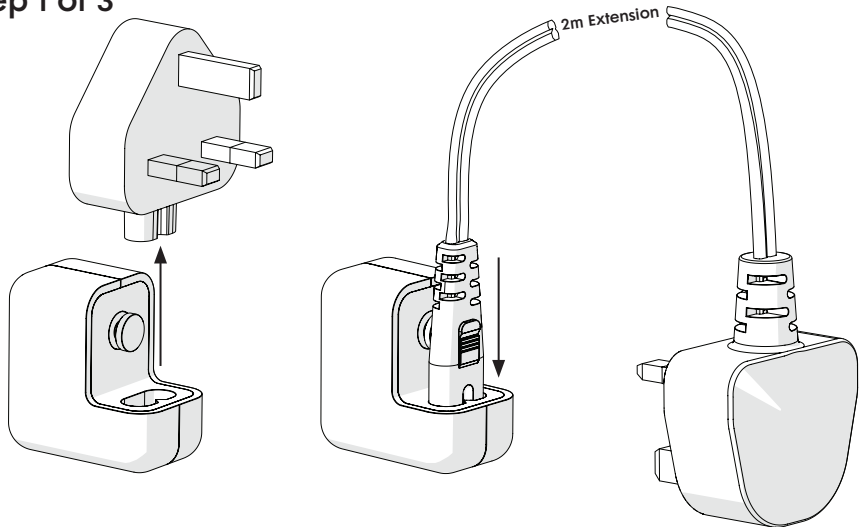
NOTE:
Ensure Tablet is connected
to Power Cable

Lock Up



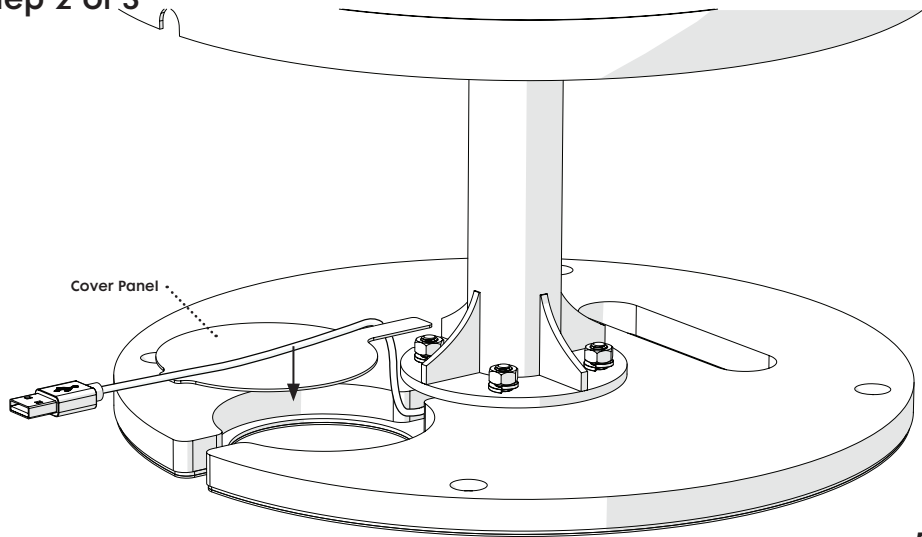
Extend Cable (optional - iPad only)

step 1 of 3



Extend Cable

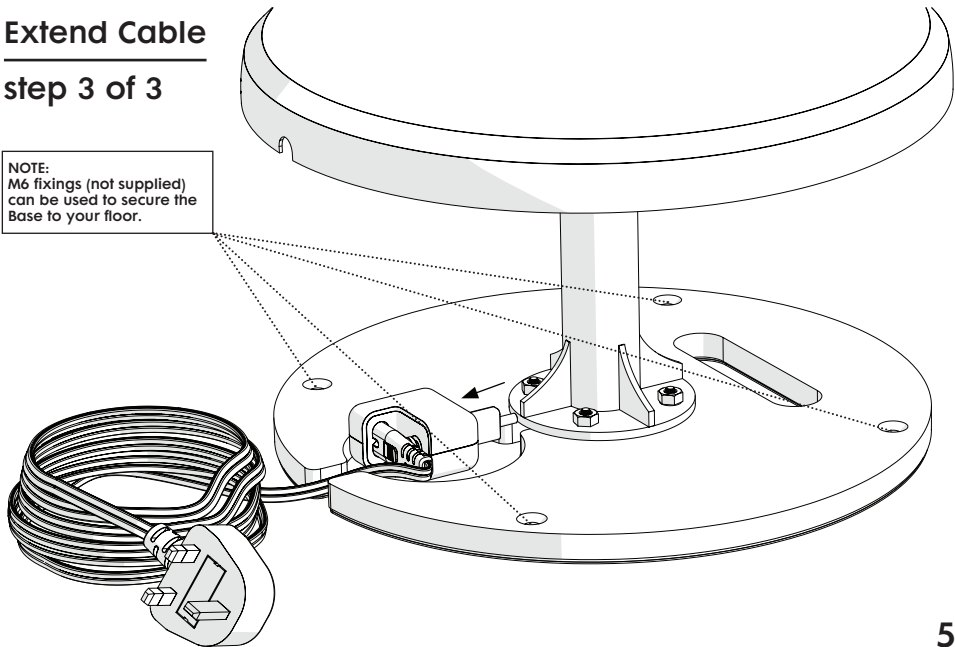
step 2 of 3



Extend Cable

step 3 of 3

NOTE:
M6 fixings (not supplied)
can be used to secure the
Base to your floor.



Your Bouncepad is now installed

For further information and support please contact us:

UK & International

+44 (0) 020 3693 0000
hello@bouncepad.com
www.bouncepad.com

Deutschland

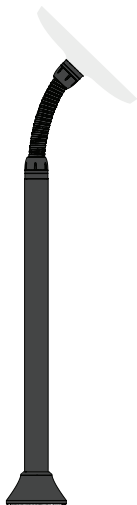
+49 (0) 30 6098 5170
hallo@bouncepad.com
www.bouncepad.com/de

USA & Canada

1-617-804-0110
hi@bouncepad.com
www.bouncepad.com/us

Assembly Instructions

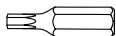
Floor Flex Slim



What's in the Box



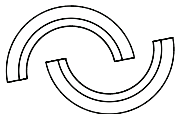
M4 16mm Buttonhead Screw x4



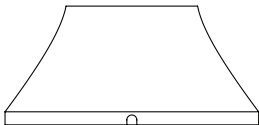
T20 Driver Bit x1



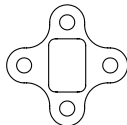
M4 Split Washer x4



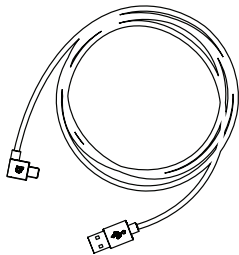
Split Collar x1



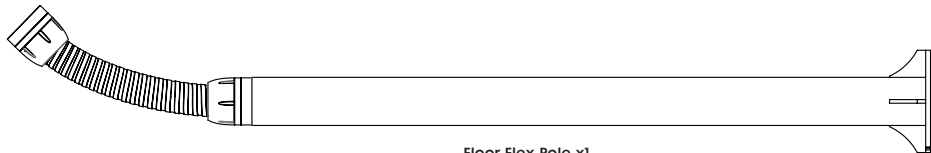
Mini Spinner x1



Case Washer x1

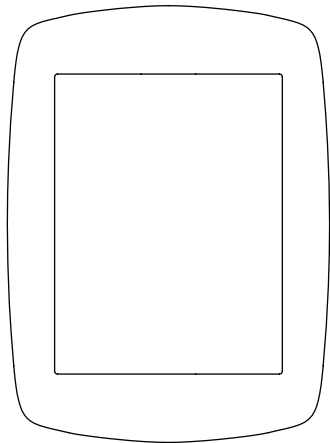


2m USB Cable (optional) x1

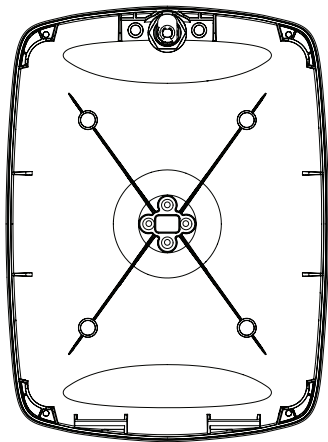


Floor Flex Pole x1

What's in the Box



Faceplate x1



Case x1

Tablet Setup Kit



Keys x2



Tablet Support x4



Corner Pieces x4

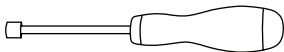


Cable Clip x1

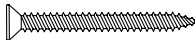


Sticker x1

Tools for the Job



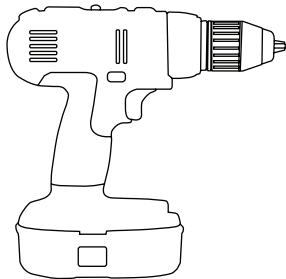
Socket Screwdriver



M6 fixings (specific to your floor type)

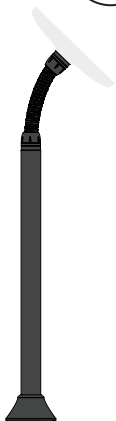


Drill Bit (appropriate for your fixing and floor type)



Hand Drill

Installation Guidelines

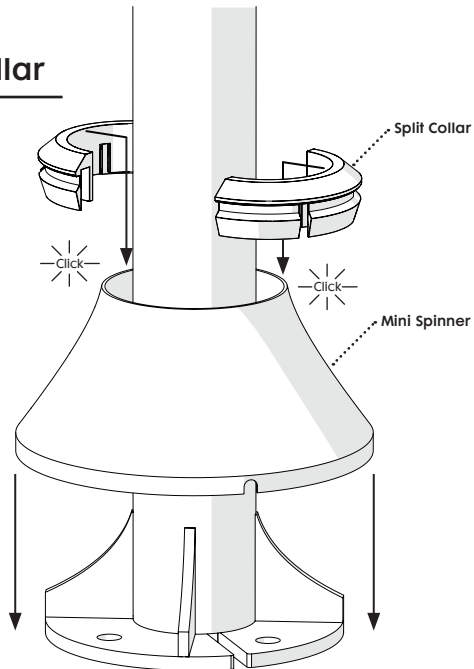


Avoid Glare

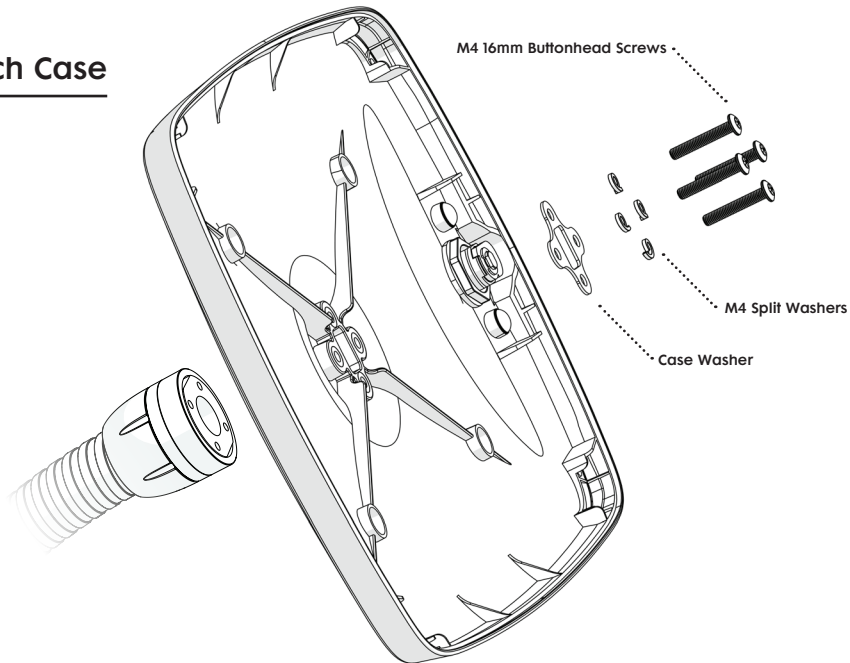
**Don't install directly
beneath a light source**

Fit Spinner and Collar

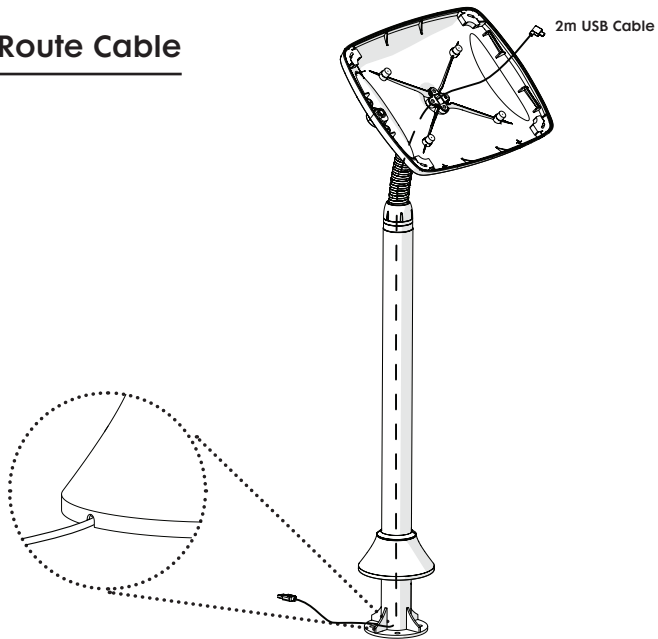
1. Slide Spinner over Pole
2. Click Collar into Place



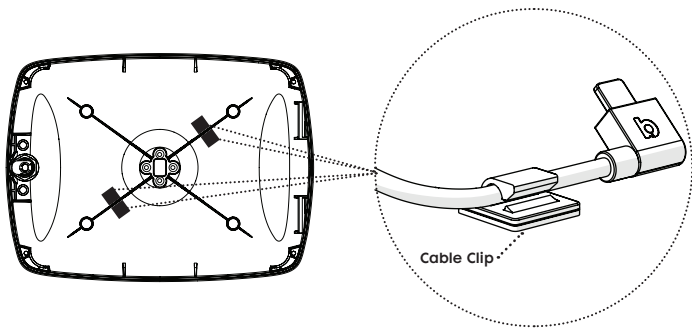
Attach Case



Route Cable



Route Cable

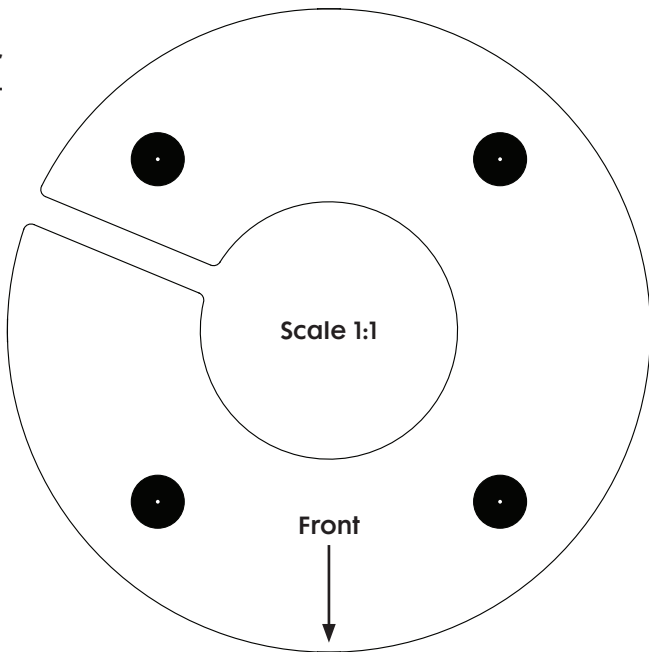


Use the adhesive cable clip to secure cable in the nearest quadrant to the Tablet Power Port

Attach to Floor

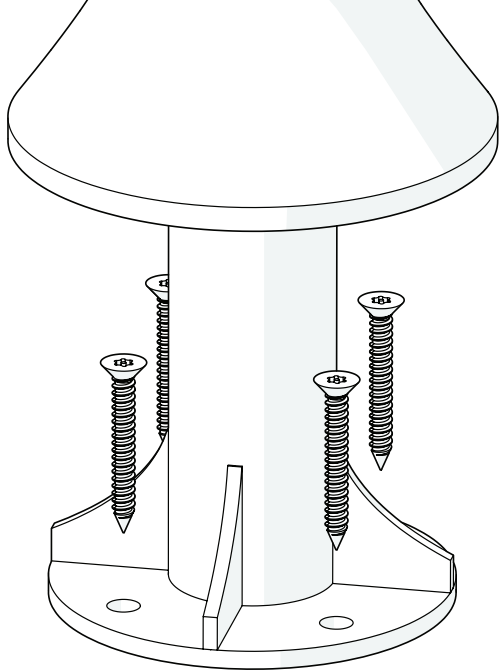
Use either the 4 holes at the base of the Floor Flex Pole, or this template to mark the hole positions on your floor with a pencil

Use the drill bit appropriate for your floor type to drill pilot holes for your chosen screws

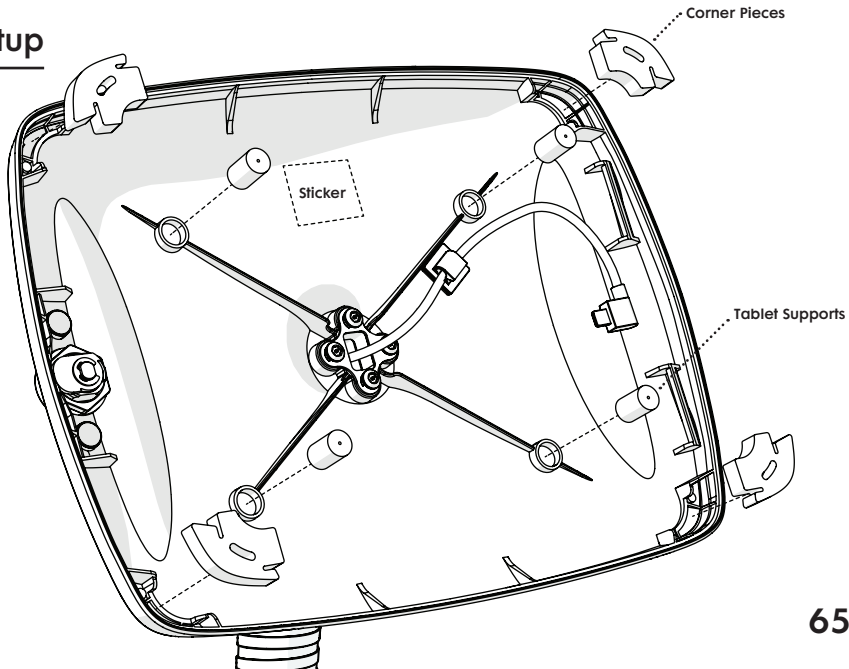


Attach to Floor

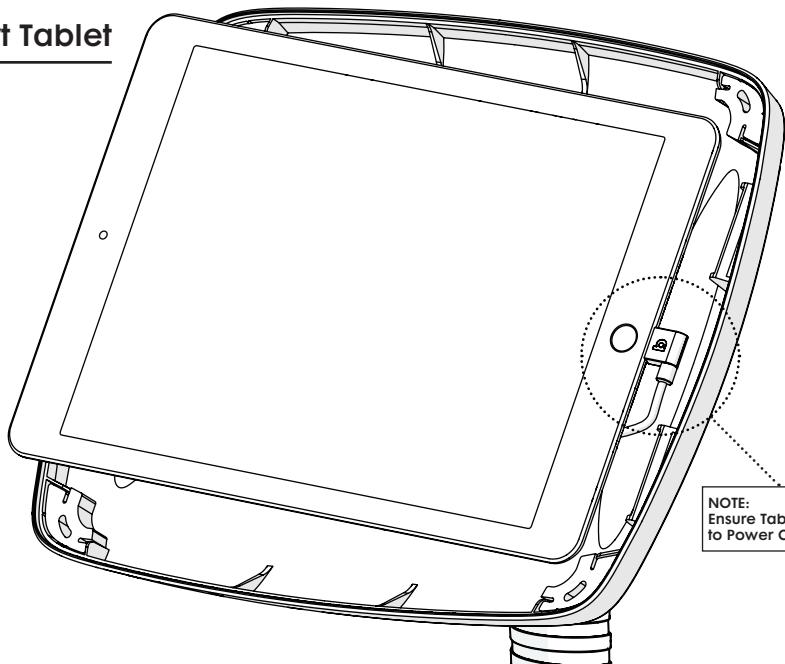
Use your chosen M6 screws (not supplied) to fix the Floor Flex Pole to your floor



Case Setup

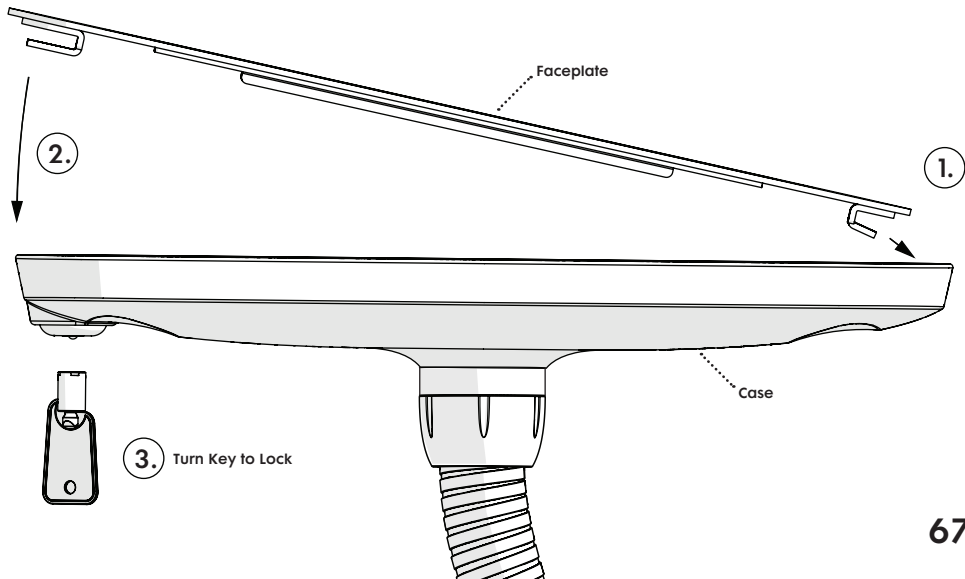


Insert Tablet



NOTE:
Ensure Tablet is connected
to Power Cable

Lock Up



Notes

Notes

Notes

Your Bouncepad is now installed

For further information and support please contact us:

UK & International

+44 (0) 020 3693 0000
hello@bouncepad.com
www.bouncepad.com

Deutschland

+49 (0) 30 6098 5170
hallo@bouncepad.com
www.bouncepad.com/de

USA & Canada

1-617-804-0110
hi@bouncepad.com
www.bouncepad.com/us

Contact Details

UK & International

+44 (0) 020 3693 0000
hello@bouncepad.com
www.bouncepad.com

Deutschland

+49 (0) 30 6098 5170
hallo@bouncepad.com
www.bouncepad.com/de

USA & Canada

1-617-804-0110
hi@bouncepad.com
www.bouncepad.com/us

