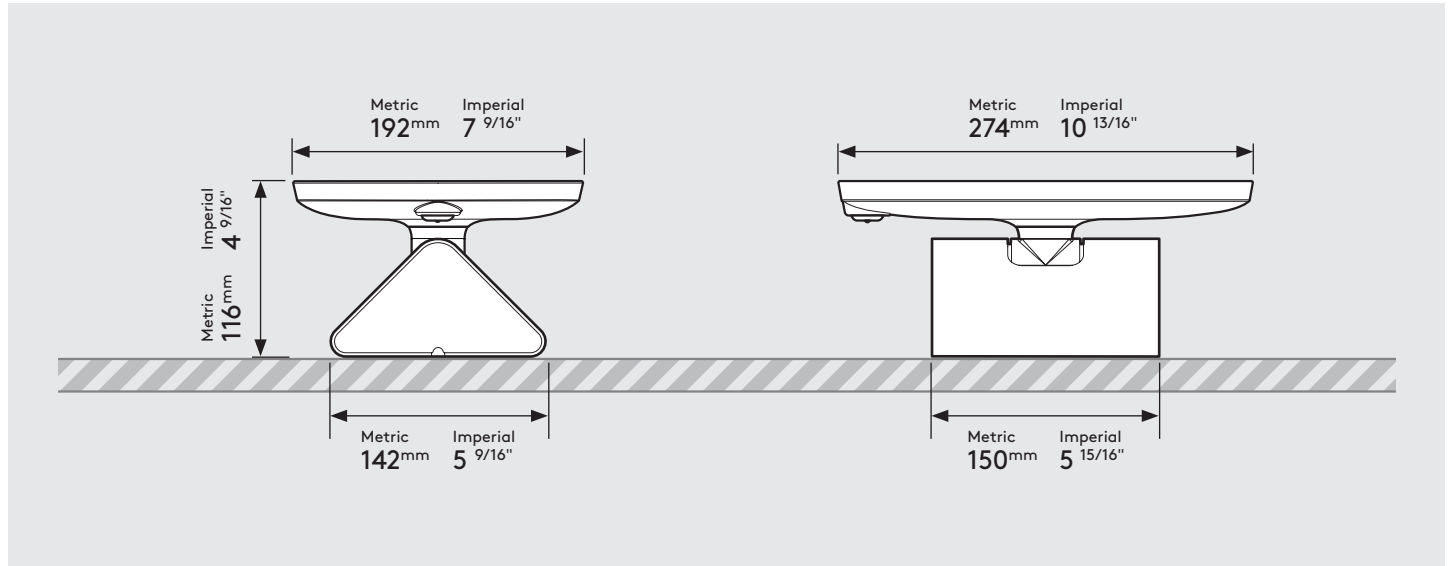


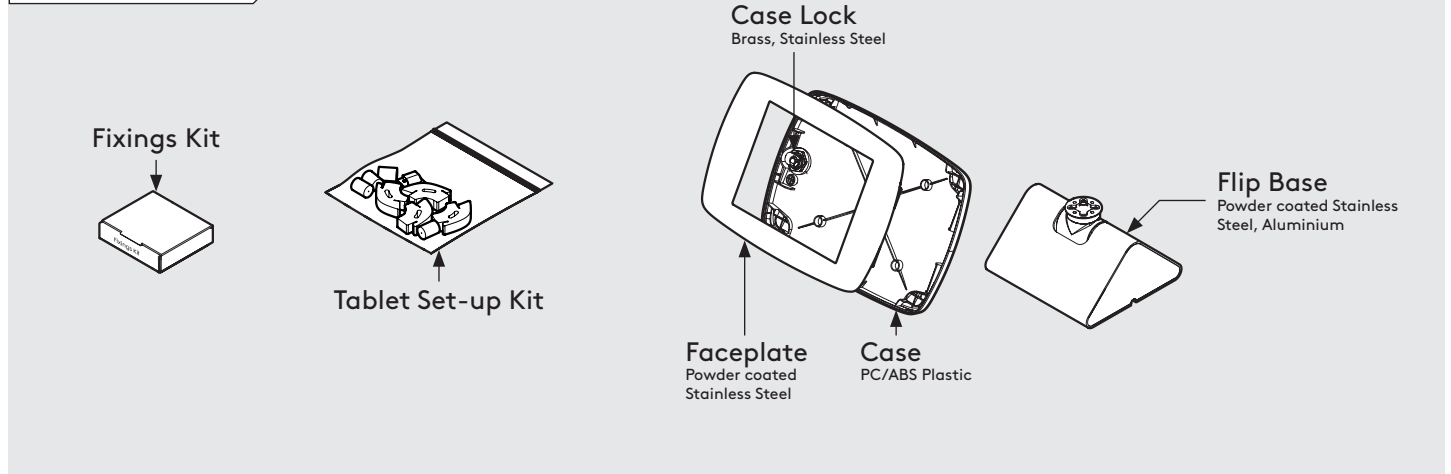
# PRODUCT DATA SHEET - FLIP (MINI CASE)

**bouncepad**<sup>®</sup>

|              |             |                  |                         |                |
|--------------|-------------|------------------|-------------------------|----------------|
| <b>Case:</b> | <b>Arm:</b> | <b>Mounting:</b> | <b>Packaged weight:</b> | <b>Colour:</b> |
| Mini         | Flip        | Not Applicable   | 2.86kg                  | White<br>Black |



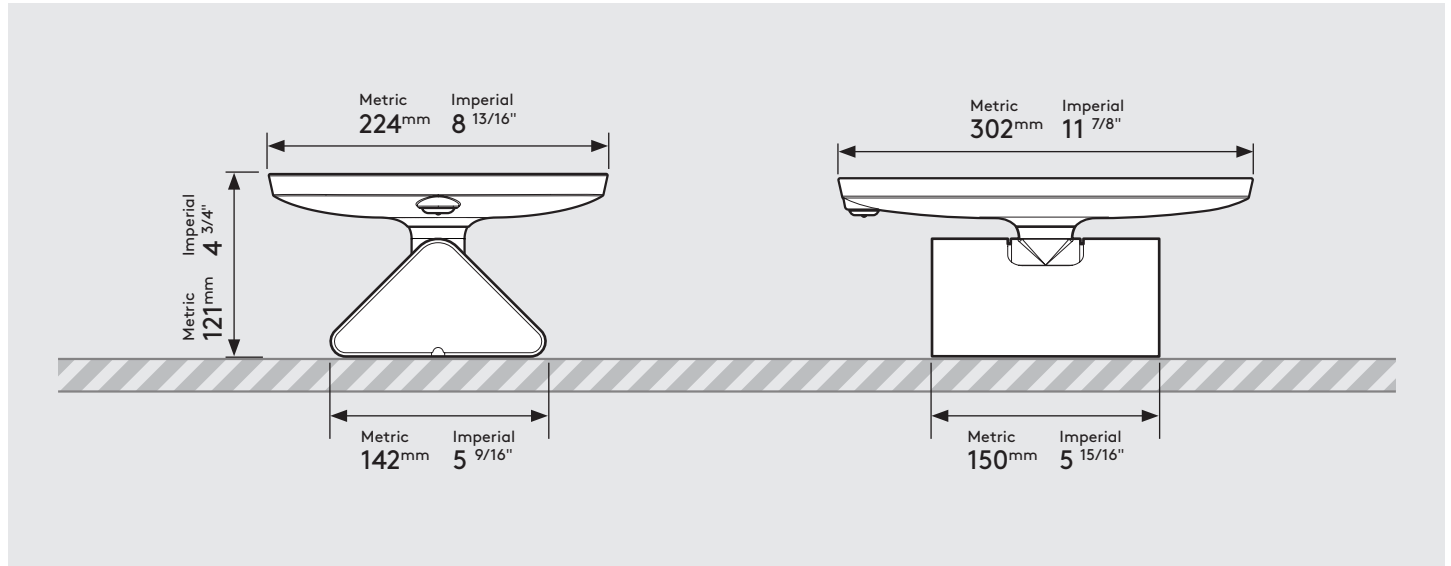
## Parts in the Box



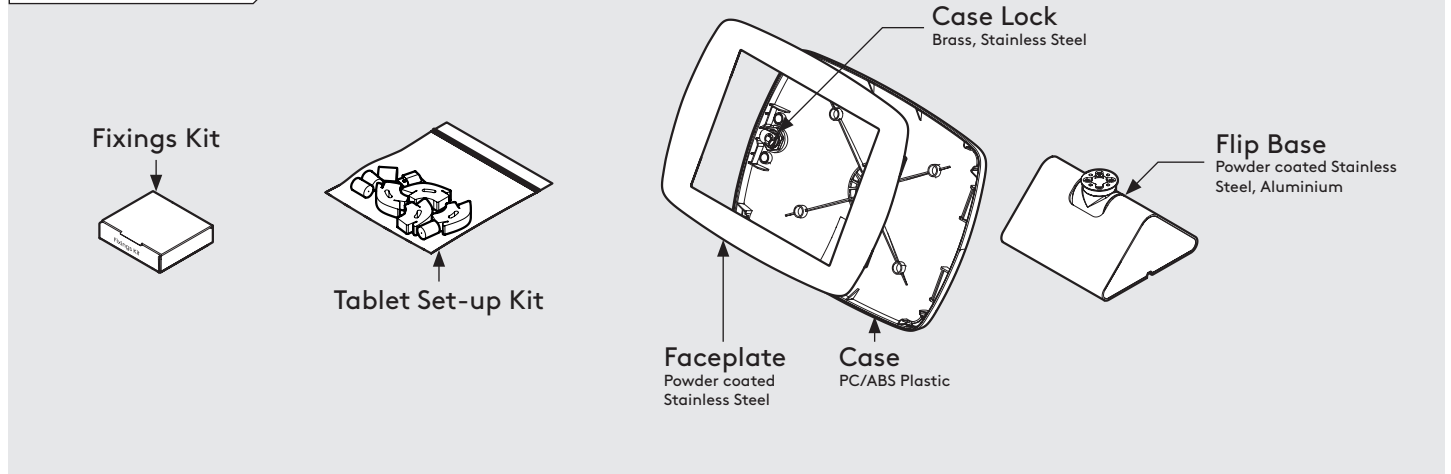
# PRODUCT DATA SHEET - FLIP (MIDI CASE)

**bouncepad**<sup>®</sup>

|              |             |                  |                         |                |
|--------------|-------------|------------------|-------------------------|----------------|
| <b>Case:</b> | <b>Arm:</b> | <b>Mounting:</b> | <b>Packaged weight:</b> | <b>Colour:</b> |
| Midi         | Flip        | Not Applicable   | 3.04kg                  | White<br>Black |



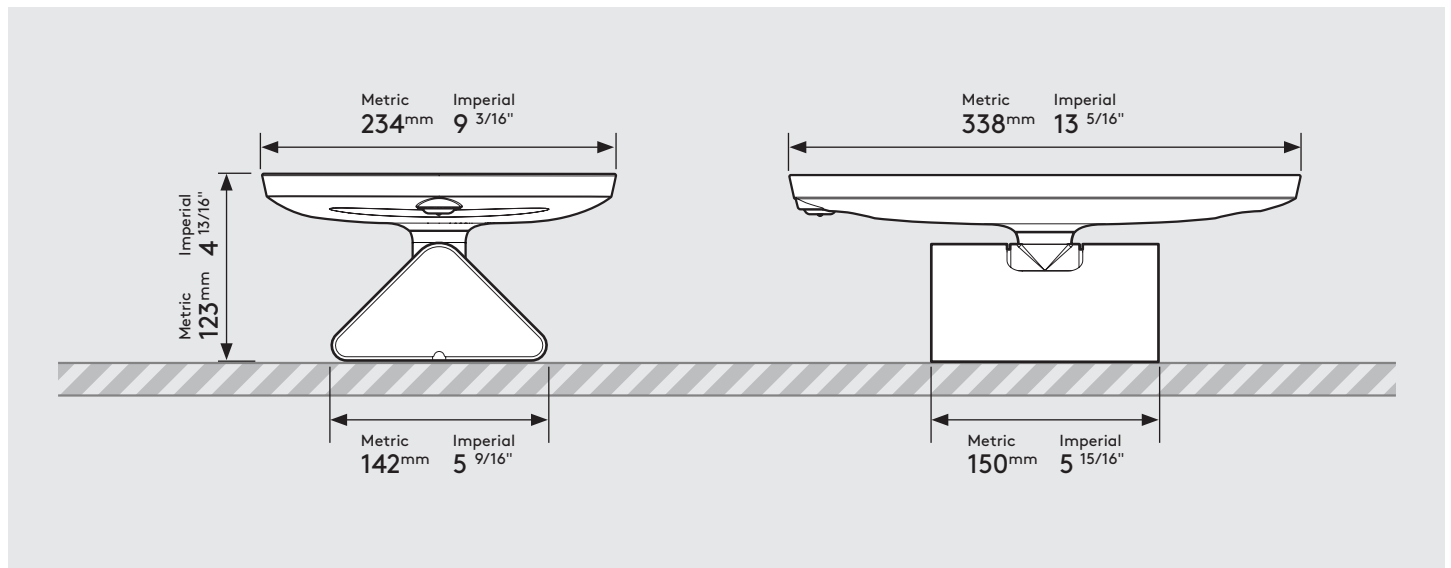
## Parts in the Box



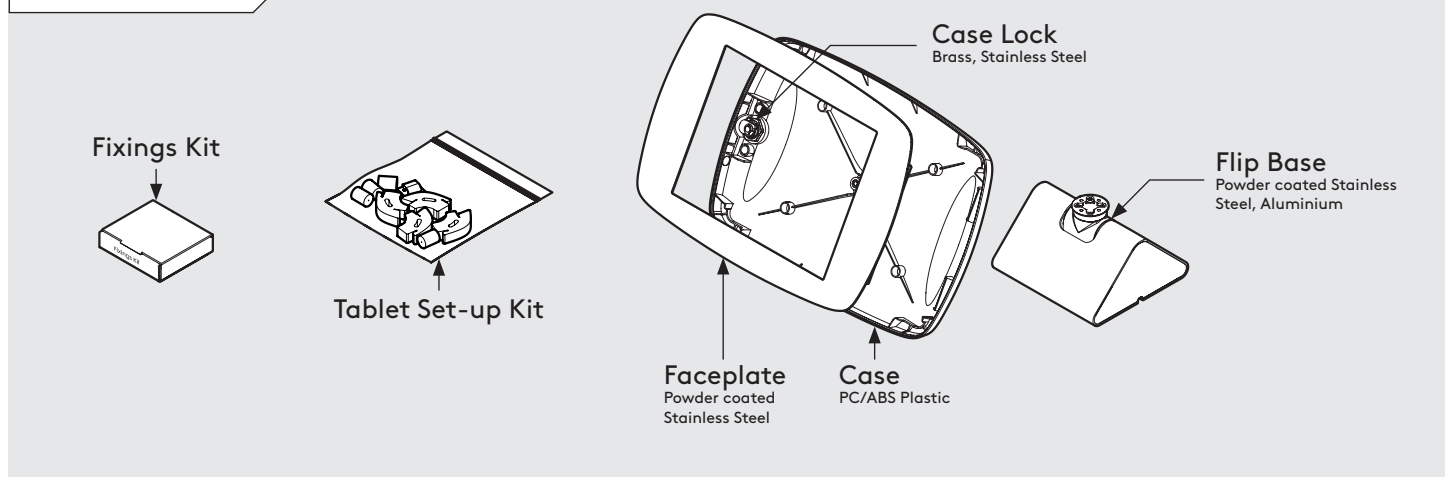
# PRODUCT DATA SHEET - FLIP (MAXI CASE)

**bouncepad®**

|              |             |                  |                         |                |
|--------------|-------------|------------------|-------------------------|----------------|
| <b>Case:</b> | <b>Arm:</b> | <b>Mounting:</b> | <b>Packaged weight:</b> | <b>Colour:</b> |
| Maxi         | Flip        | Not Applicable   | 3.27kg                  | White<br>Black |



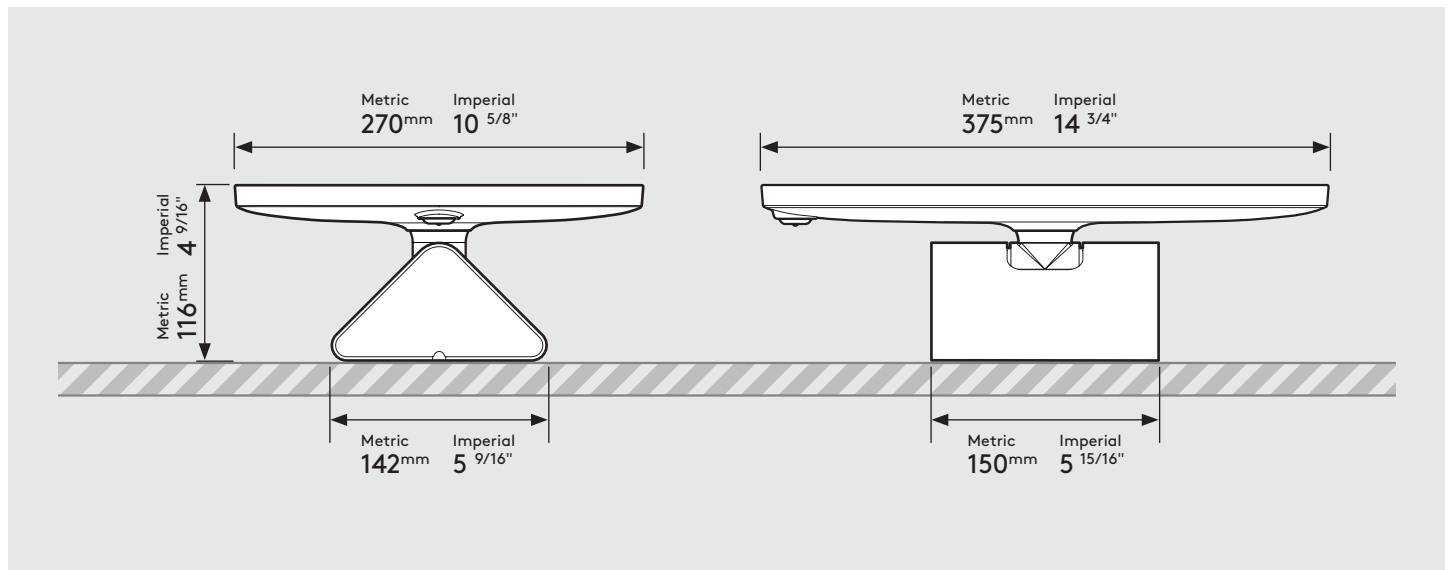
## Parts in the Box



# PRODUCT DATA SHEET - FLIP (MEGA CASE)

**bouncepad®**

|              |             |                  |                         |                |
|--------------|-------------|------------------|-------------------------|----------------|
| <b>Case:</b> | <b>Arm:</b> | <b>Mounting:</b> | <b>Packaged weight:</b> | <b>Colour:</b> |
| Mega         | Flip        | Not Applicable   | 3.4kg                   | White<br>Black |



## Parts in the Box

