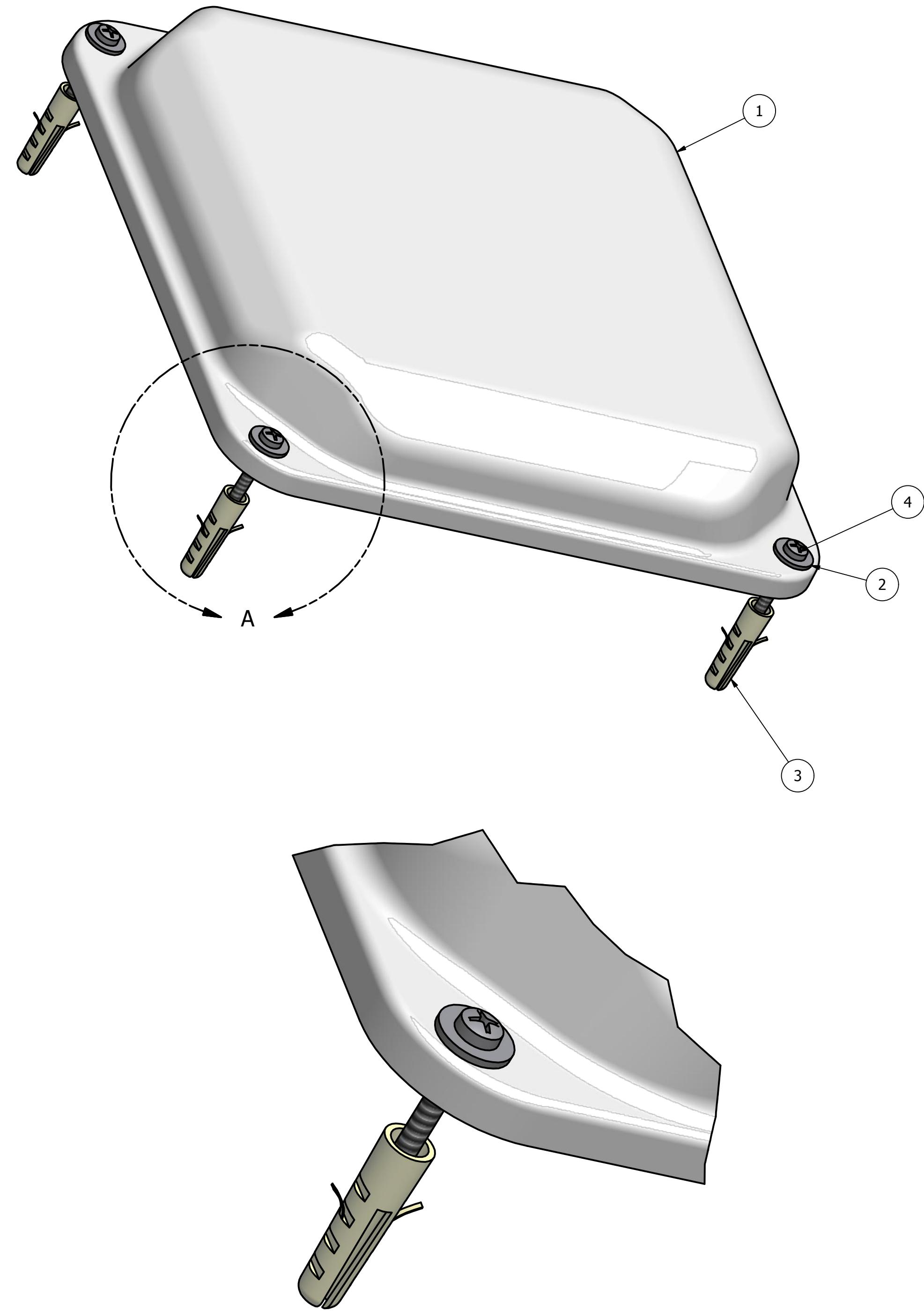
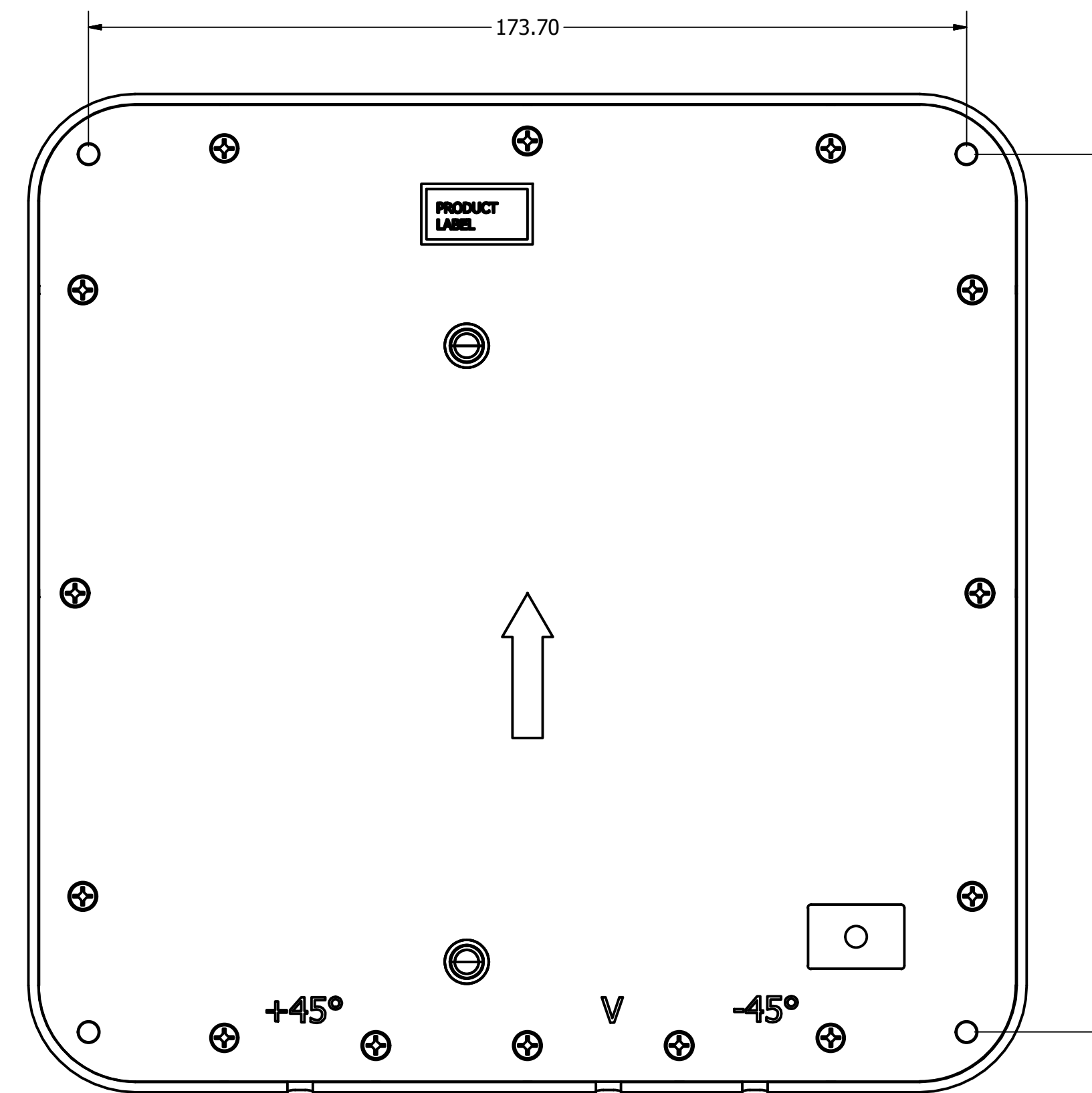


**NOTES:
ANTENNA'S CABLES ARE NOT SHOWN**

WALL MOUNTING INSTRUCTION REV-A

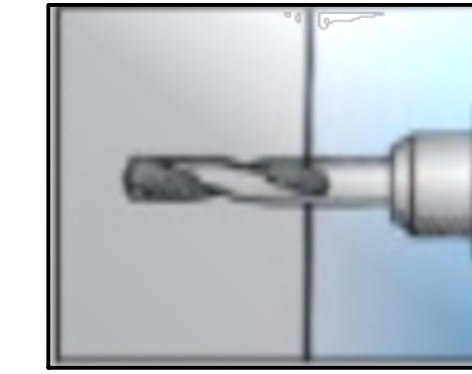


4X DETAIL A
SCALE 2 : 1

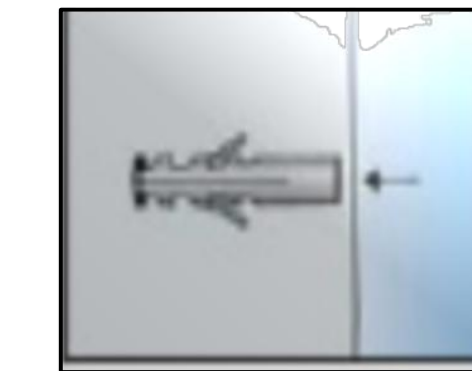


MOUNTING HOLES' COORDINATES

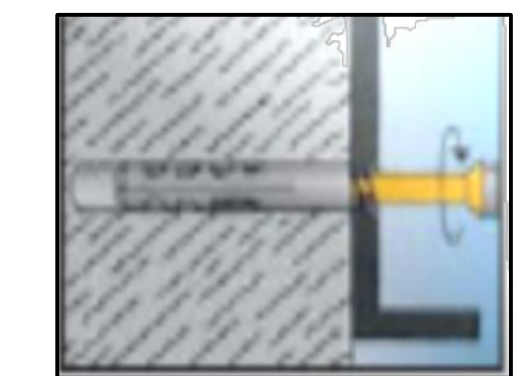
1. DRILL IN THE WALL 4 HOLES Ø5x35 mm FOR PLASTIC WALL INSERTS PLUG ITEM NO.3 USING THE ELECTRONIC DRILL



2. PUNCH THE PLASTIC WALL INSERTS PLUG INTO HOLES IN THE WALL



3. FIT MOUNTING HOLES OF ANTENNA ITEM No.1 TO HOLES IN PLASTIC WALL INSERTS PLUG. POLARIZATION ARROWS MUST BE DIRECTED UP!
4. TIGHTEN ANTENNA TO PLASTIC WALL INSERTS PLUG WITH SCREW ITEM No.4 AND WASHER ITEM No.2



PARTS LIST		
ITEM	QTY	DESCRIPTION
1	1	ANTENNA
2	4	A&C CLASS BIG WASHER(GB/T96 - 1985)
3	4	PLASTIC WALL INSERT PLUG DIA. 6X25
4	4	PHILIPS PAN HEAD TAP. SCREW 3.5 X 30