

Lotus™ RT Sit-Stand Workstation

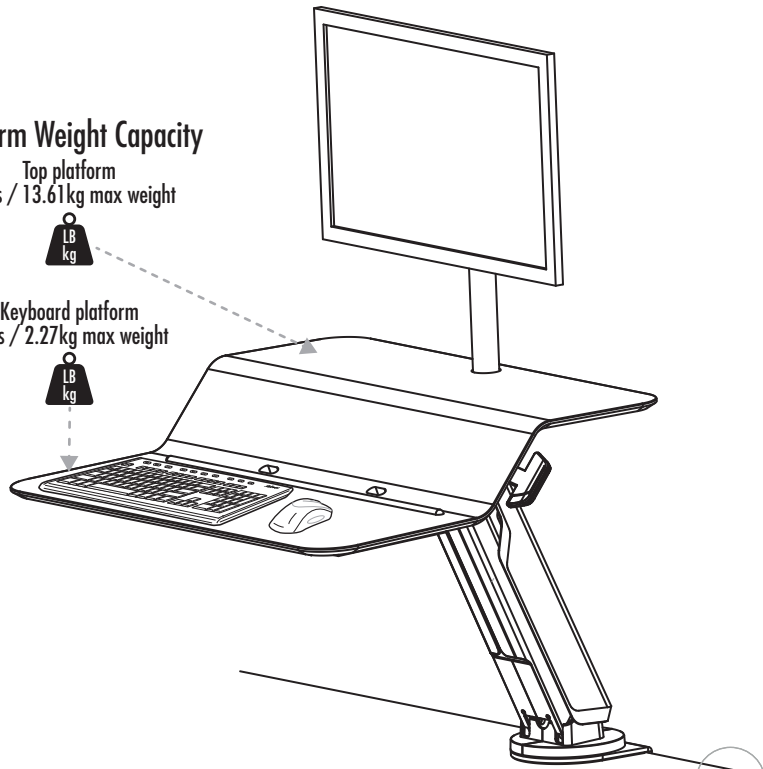
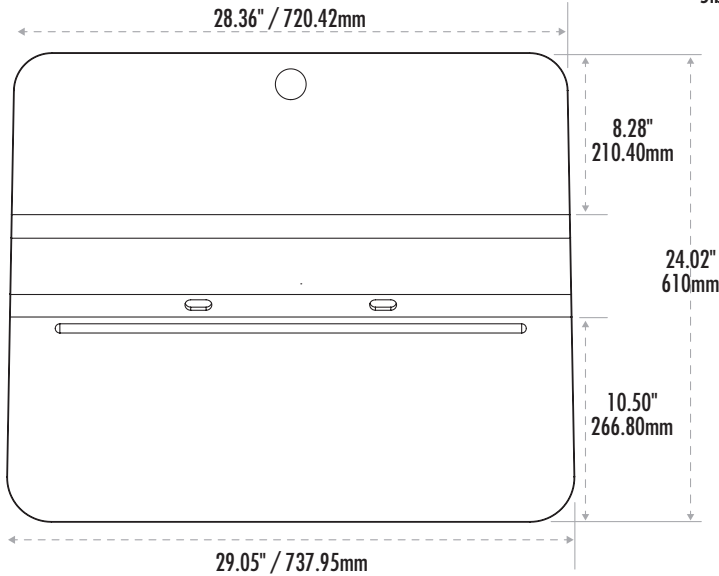
Single: Dimensions

Platform Weight Capacity

Top platform
30lbs / 13.61kg max weight



Keyboard platform
5lbs / 2.27kg max weight

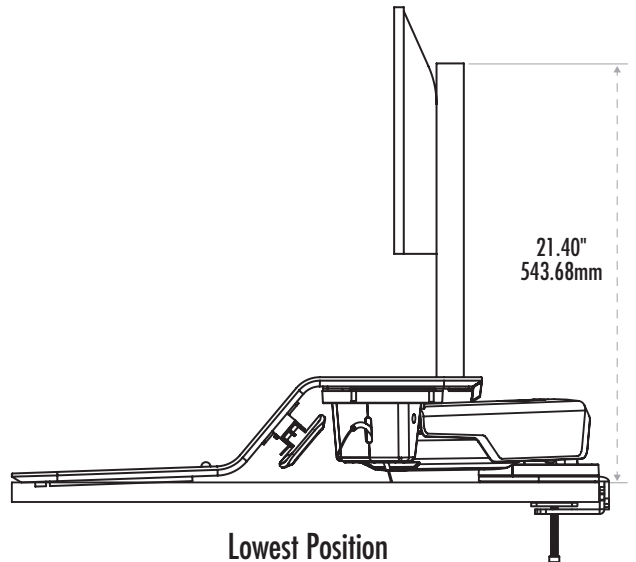
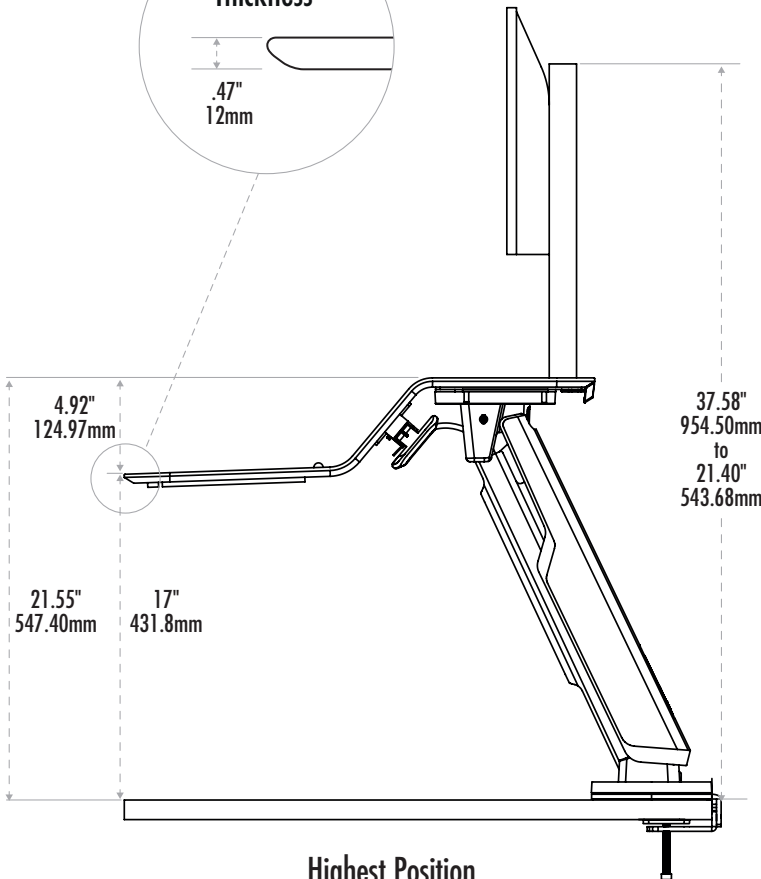


Desk Thickness

Min.
.75" / 19mm

Max.
3" / 76mm

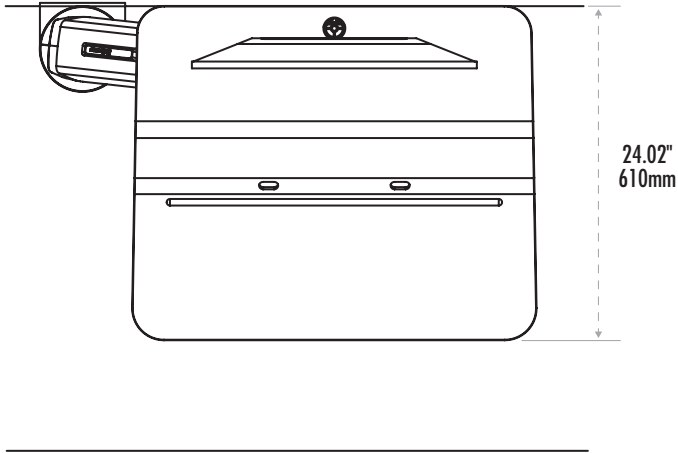
Lotus™ RT Thickness



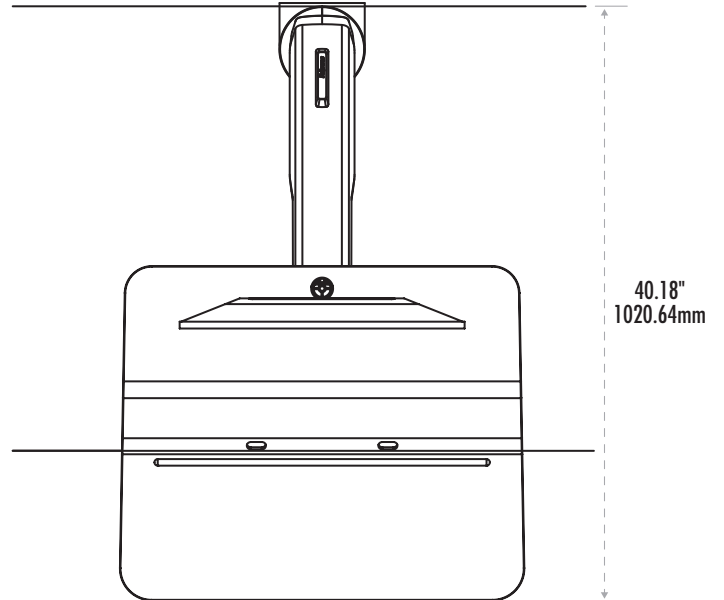
Lotus™ RT Sit-Stand Workstation

Single: Dimensions

Minimum Reach

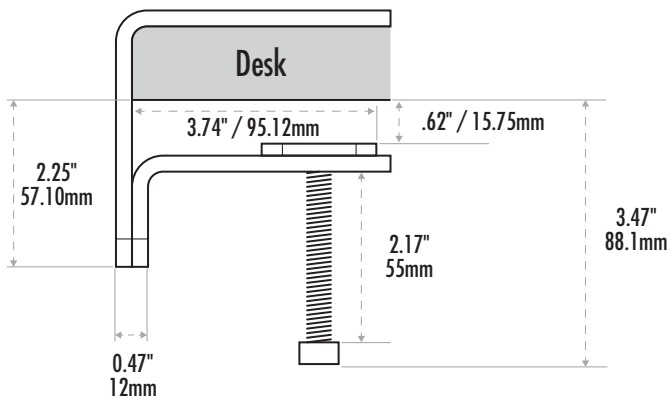


Maximum Reach



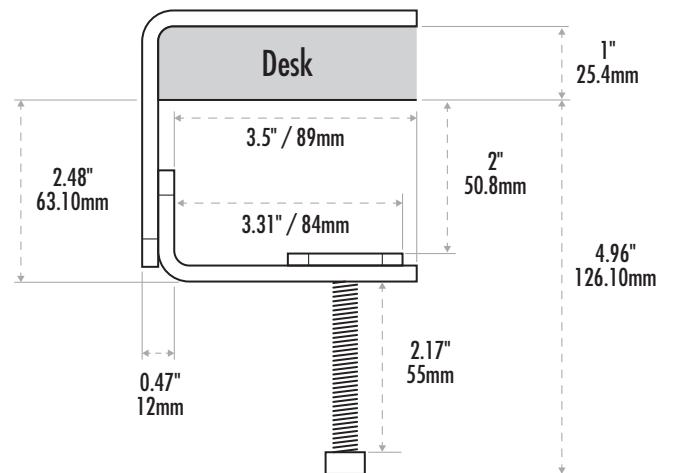
Desk Clamp Option A

Desk thickness of .75" to 1.62" / 19mm to 41.27mm



Desk Clamp Option B

Desk thickness of 1.63" to 3" / 41.28mm to 76mm



Lotus™ RT Sit-Stand Workstation

Single: Dimensions

