



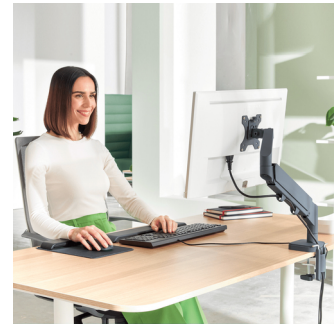
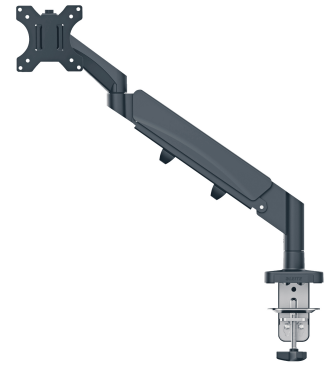
## Leitz 64890089 monitor mount / stand 81.3 cm (32") Grey Desk

**Brand :** Leitz

**Product code:** 64890089

**Product name :** 64890089

Leitz 64890089. Maximum weight capacity: 9 kg, Minimum screen size: 43.2 cm (17"), Maximum screen size: 81.3 cm (32"), Minimum VESA mount: 75 x 100 mm, Maximum VESA mount: 75 x 100 mm. Height adjustment. Product colour: Grey



### Mounting

Minimum screen size *	43.2 cm (17")
Maximum weight capacity *	9 kg
Maximum screen size *	81.3 cm (32")
Minimum VESA mount *	75 x 100 mm
Maximum VESA mount *	75 x 100 mm
Panel mounting interface	75 x 100 mm
Number of displays supported *	1
Desk thickness (min)	1 cm
Desk thickness (max)	8 cm
Mounting type *	Desk

### Ergonomics

Height adjustment	✓
Height adjustment range	185 - 435 mm
Cable management	✓

### Design

Product colour *	Grey
------------------	------

### Weight & dimensions

Width	550 mm
Depth	520 mm
Height	110 mm
Weight	3.6 kg



4002432134663

Disclaimer. The information published here (the "Information") is based on sources that can be considered reliable, typically the manufacturer, but this Information is provided "AS IS" and without guarantee of correctness or completeness. The Information is only indicative and can be changed at any time without notification. No rights can be based on the Information. Suppliers or aggregators of this Information do not accept any liability with regard to the content of (web)pages and other documents, including its Information. The publisher of the Information can not be held liable for the content of 3rd party websites that are linking this Information or are linked to from this Information. You as the User of the Information are solely responsible for the choice and usage of this Information. You are not entitled to transfer, copy or otherwise multiply or distribute the Information. You are obliged to follow the directions of the copyright owner(s) with regard to the use of the Information. Exclusively Dutch law is applicable. With regard to price and stock data on the site, the publisher followed a number of starting points, which are not necessarily relevant for your private or business circumstances. Therefore, the price and stock data are only indicative and are subject to changes. You are personally responsible for the way you use and apply this information. As a user of the Information or sites or documents in which this Information is included, you will adhere to standard fair use including avoidance of spamming, ripping, intellectual-property violations, privacy violations, and any other illegal activity.