

bouncepad™

Assembly
Instructions

Sumo

bouncepad™

Contents

In the Box

Tools Required

Configuration Options

Configuration A

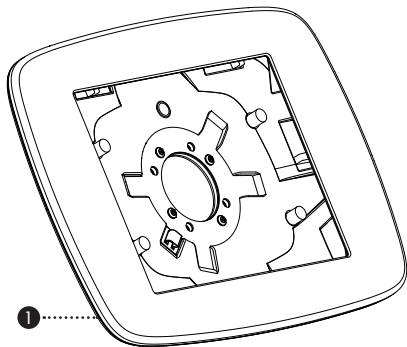
Ⓐ1 — Ⓐ20

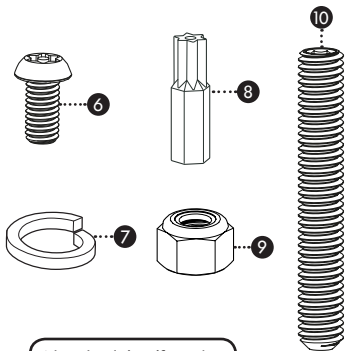
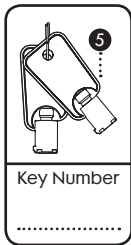
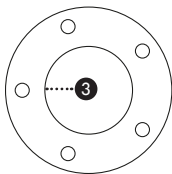
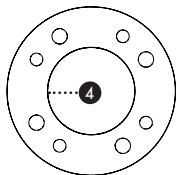
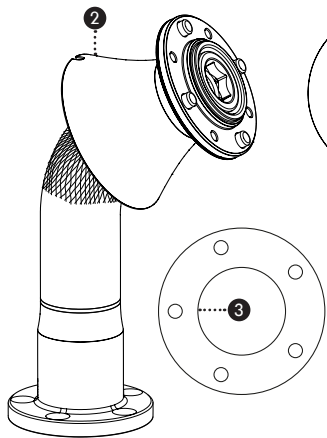
Configuration B

Ⓑ1 — Ⓑ19

In the Box

- 1 Sumo Case
- 2 Sumo Stalk
- 3 Surface Clamping Plate
- 4 Case Clamping Plate
- 5 Case Keys x2
- 6 M6 x $\frac{12\text{mm}}{15/32''}$ | Button-head Security Screw x4
- 7 M6 Split Washers x5
- 8 T30 Security Driver Bit
- 9 M6 Nyloc Nuts x5
- 10 M6 x $\frac{40\text{mm}}{1\ 5/8''}$ | Socket Set-screw x5

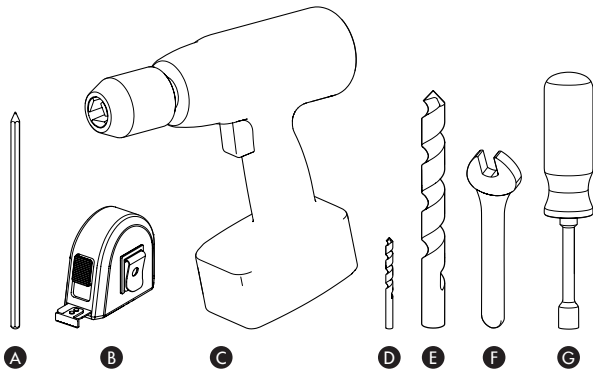




Need advice if you're
using custom fixings?
Give us a call.

Tools Required

- A** Pencil
- B** Tape Measure
- C** Drill
- D** 6mm $\frac{1}{4}$ " | Drill Bit
- E** 16mm $\frac{5}{8}$ " | Drill Bit
- F** 10mm Spanner
- G** Socket Screwdriver



Configuration Options

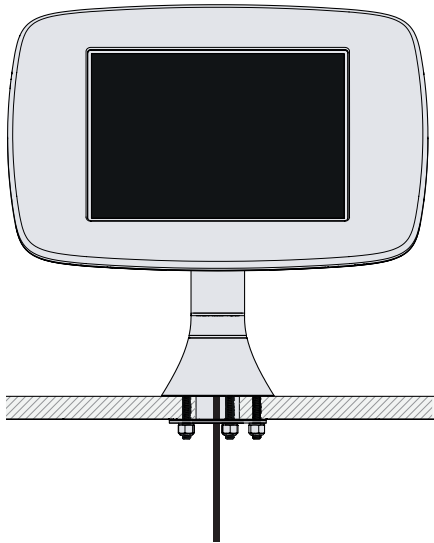
Configuration

A

Fixing From Below

If fixing your Sumo from below your mounting surface follow: A

The mounting surface must not be thicker than **25mm or 1"** for this option.

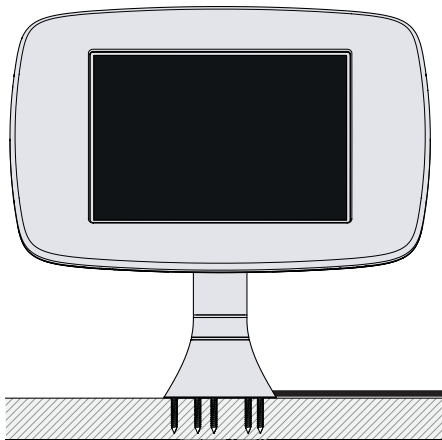


Configuration B

Fixing From Above

If fixing your Sumo from above your mounting surface follow: B

Screws must be no shorter than **30mm or 1 1/4"** for this option.
*(screws not supplied)





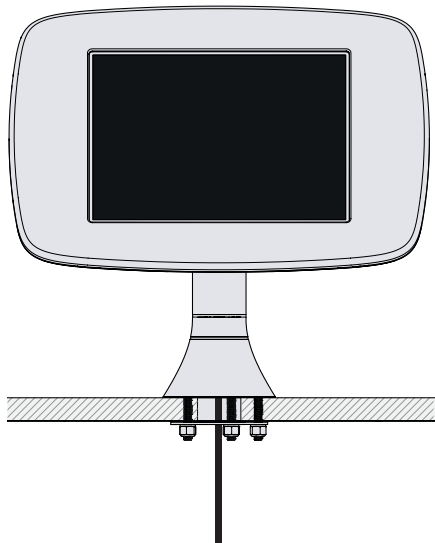
Ensure that you follow the correct section for your chosen mounting configuration.

Configuration

A

Fixing From Below

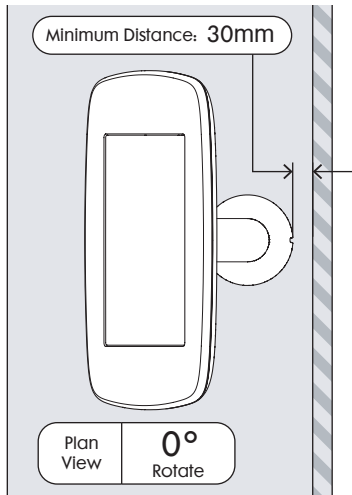
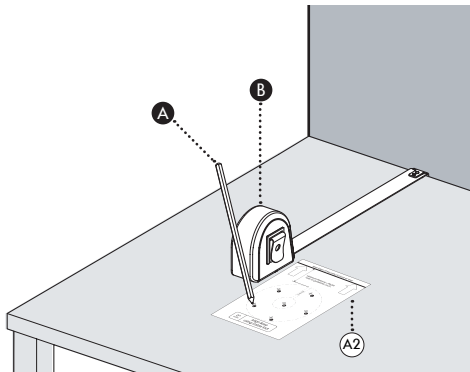
The mounting surface must not be thicker than **25mm or 1"** for this option.



A1

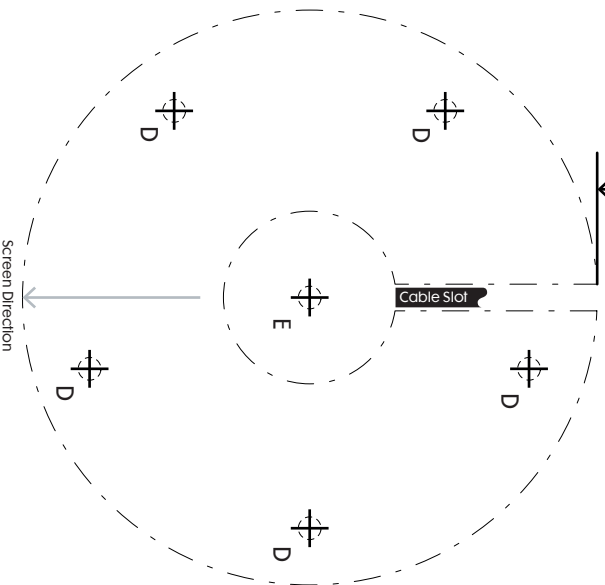
If your Sumo Stalk Base Rotation is configured to off, follow steps A1 + A2. Mark out the positions for the Mounting Holes.

Please note that your chosen rotate configuration will determine the minimum distance you can mount Sumo from a wall.



Rear Edge of Mounting Surface or Wall

30mm - Minimum Distance



0°
Rotate

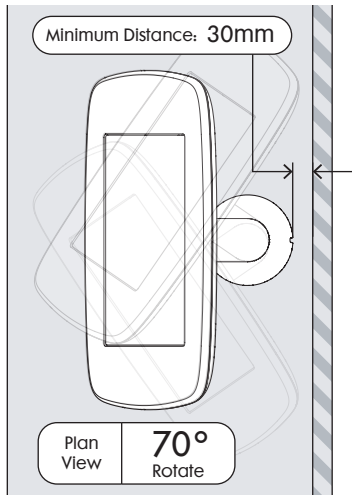
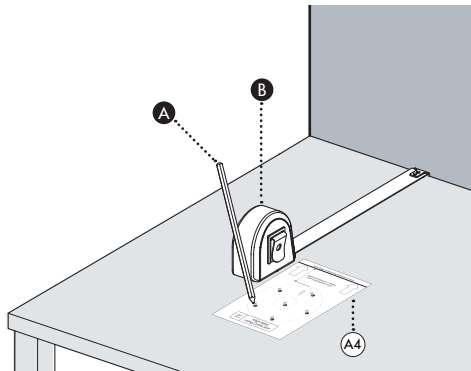
Align Base
using Cable Slot

A2

A3

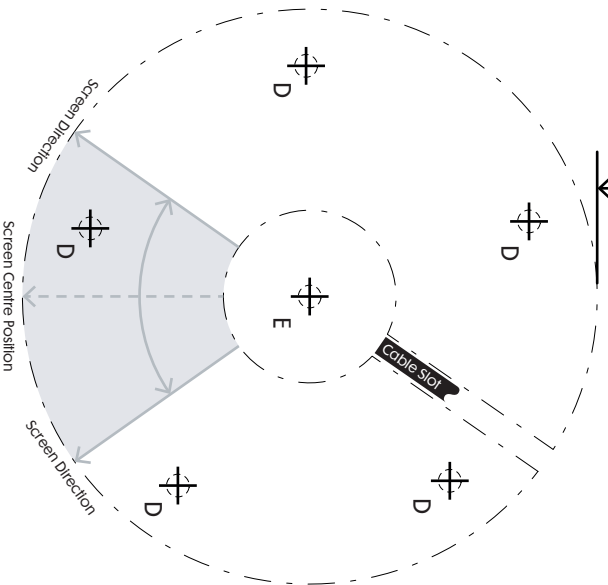
If your Sumo Stalk Base is configured for a 70° Rotation follow A3 + A4. Mark out the positions for the Mounting Holes.

Please note that your chosen rotate configuration will determine the minimum distance you can mount Sumo from a wall.



Rear Edge of Mounting Surface or Wall

30mm - Minimum Distance



70°
Rotate

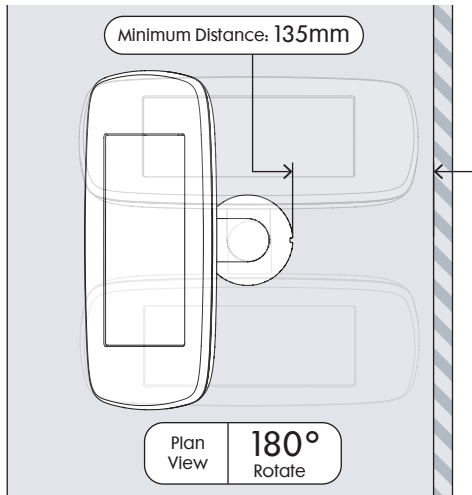
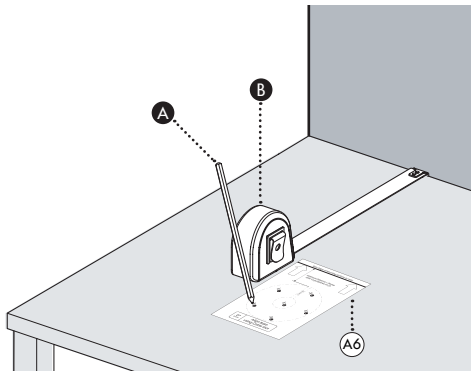
Align Base
using Cable Slot

A4

A5

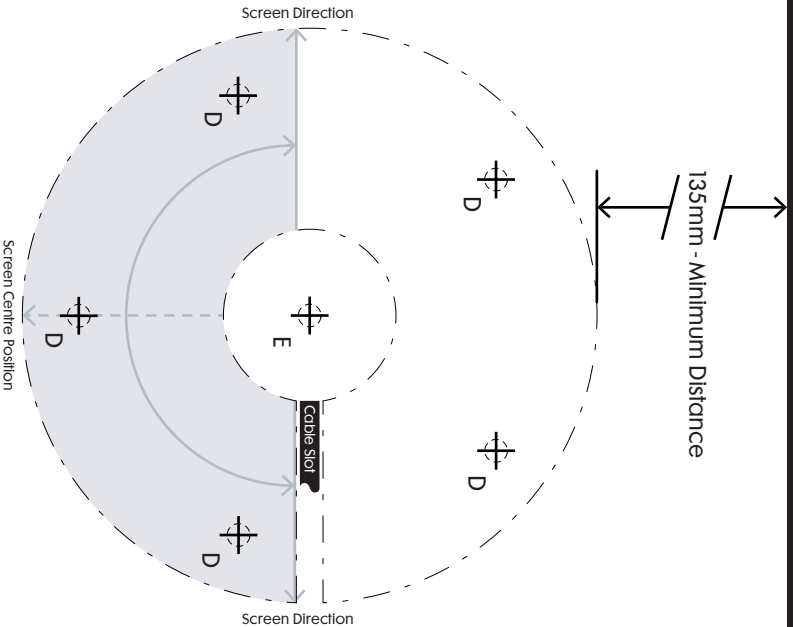
If your Sumo Stalk Base is configured for a 180° Rotation follow A5 + A6. Mark out the positions for the Mounting Holes.

Please note that your chosen rotate configuration will determine the minimum distance you can mount Sumo from a wall.



Rear Edge of Mounting Surface or Wall

135mm - Minimum Distance



A6

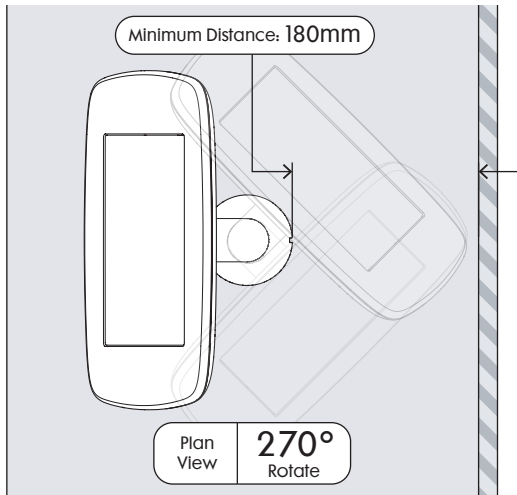
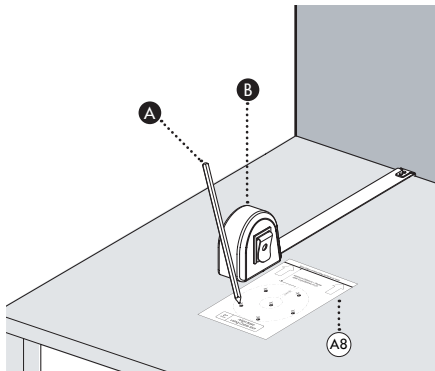
180°
Rotate

Align Base
using Cable Slot

A7

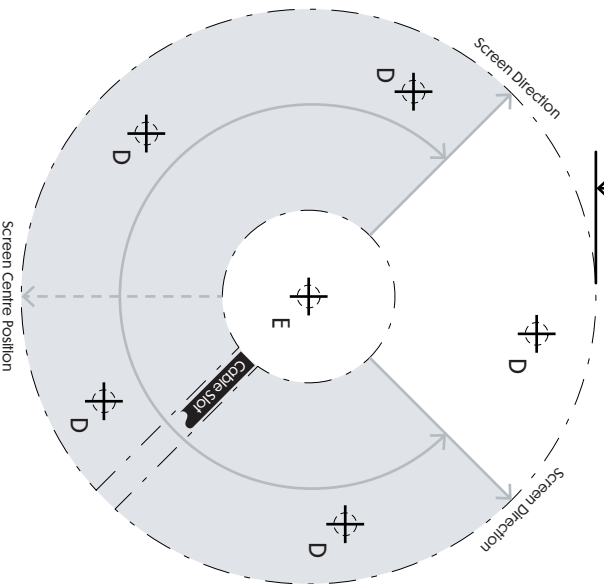
If your Sumo Stalk Base is configured for a 270° Rotation follow A7 + A8. Mark out the positions for the Mounting Holes.

Please note that your chosen rotate configuration will determine the minimum distance you can mount Sumo from a wall.



Rear Edge of Mounting Surface or Wall

180mm - Minimum Distance



A8

270°

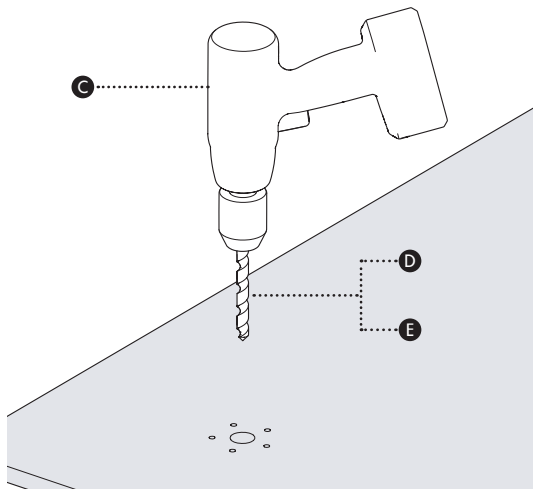
Rotate

Align Base
using Cable Slot

bouncepad™

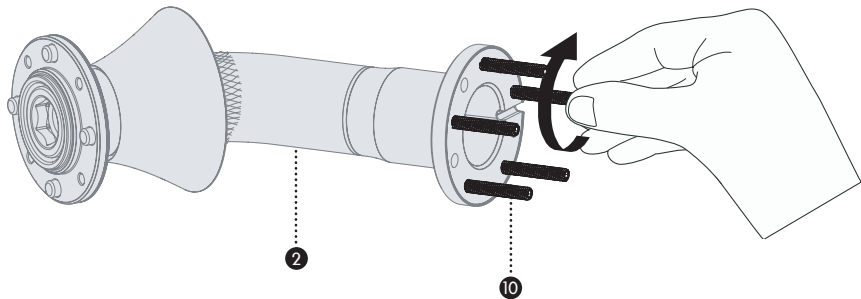
A9

Drill the mounting holes in your surface using the appropriate Below Surface Mounting Template for your rotate configuration - these guidelines can be found on the previous pages of this booklet.



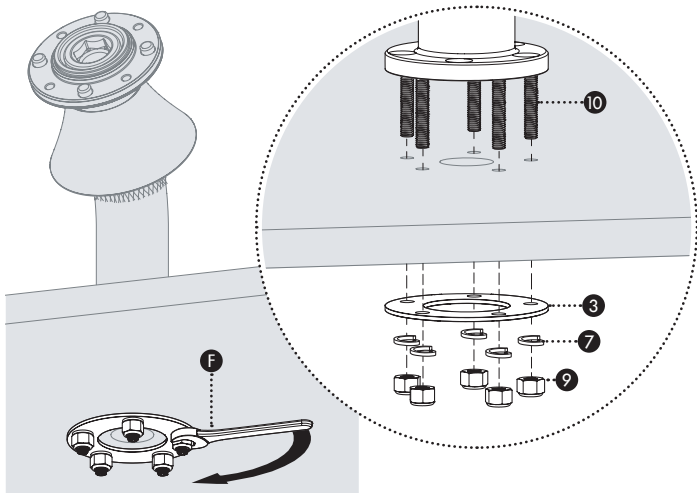
A10

Attach the socket set-screws into the base of the Sumo Stalk. These screws must be tightened by hand to the full depth of the internal thread - do not over tighten.



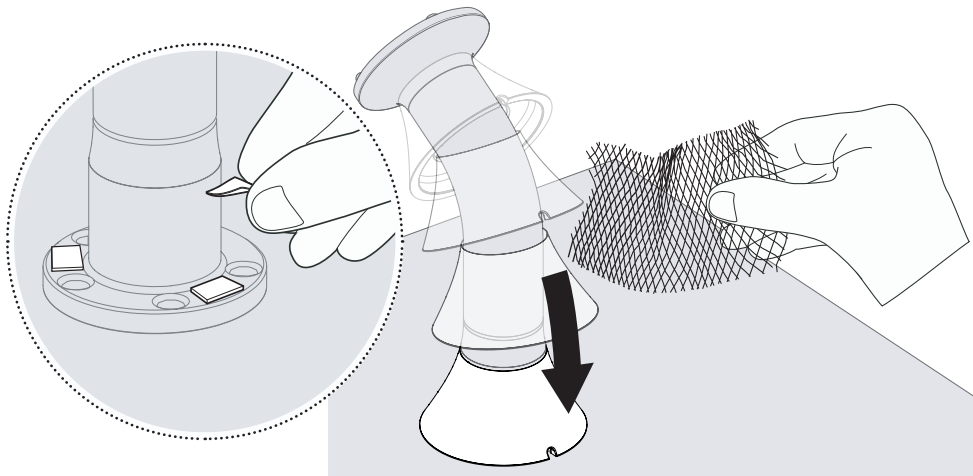
A11

Attach the Sumo Stalk to your surface. Tighten the Nyloc Nuts to 4Nm or 2.9 ft-lb. The fixings must be installed in the correct order.



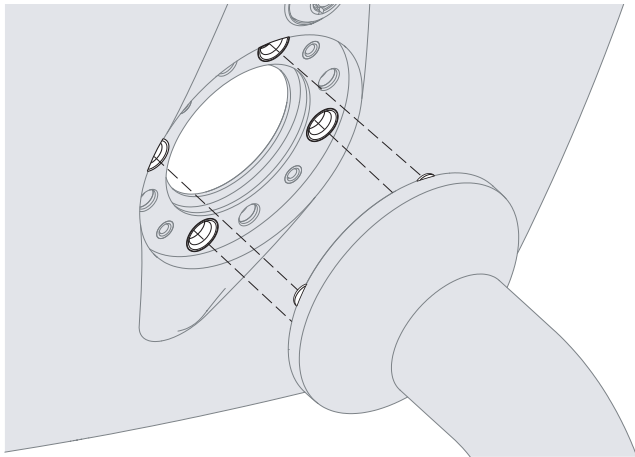
A12

Unpeel the adhesive pads on the Stalk Base and carefully slide the Stalk Cover onto the Stalk Base. Tear off the protective netting. Ensure that the Stalk Cover is securely stuck down.



A13

Locate the Sumo Case onto the Sumo Stalk using the metal locating pins on the Sumo Stalk. Please refer to the guidelines on [A14](#) to correctly configure the case orientation according to your chosen switch configuration.

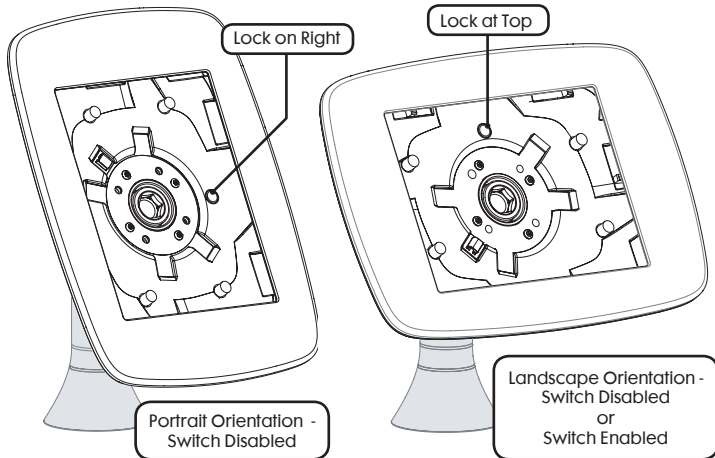


A14

Follow the guidelines below to correctly orientate your Sumo Case - appropriate to your specified Switch Configuration and chosen Case Orientation.

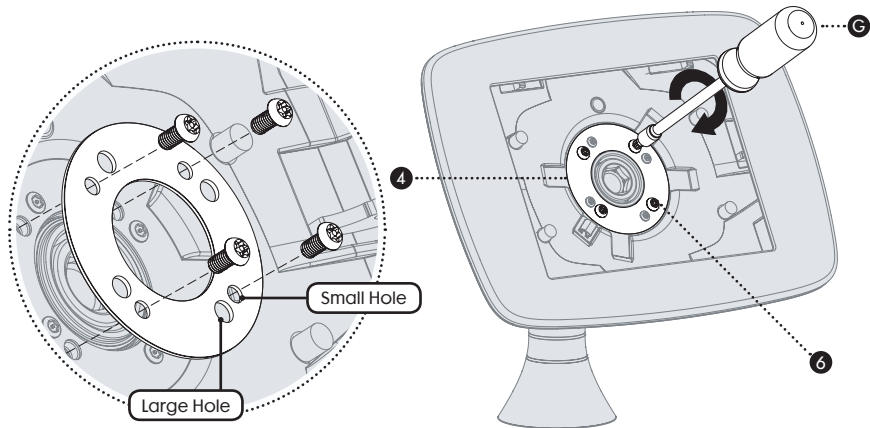
Hint:

Switch Configuration means whether the Neck of the Stalk allows the screen to rotate from portrait to landscape, or if the screen is locked in a static position.



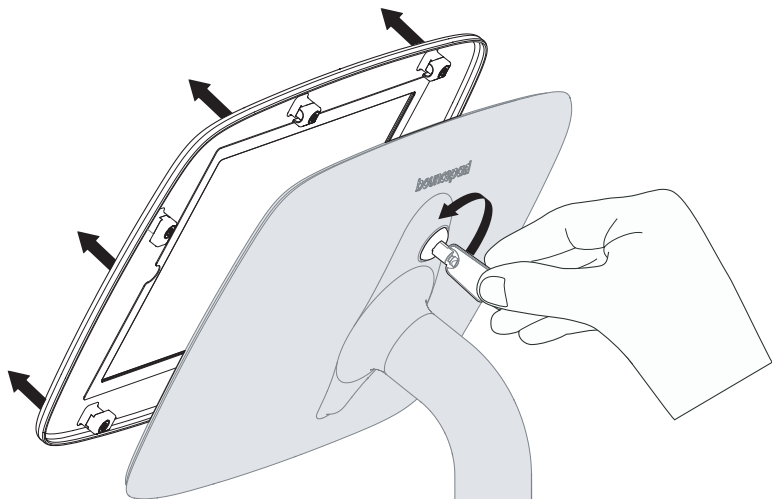
A15

Secure the Sumo Case onto the Sumo Stalk. Ensure the Case Clamping Plate is orientated correctly - it must sit flush with the case. Tighten the screws (6) to 2Nm or 1.5 ft-lb.



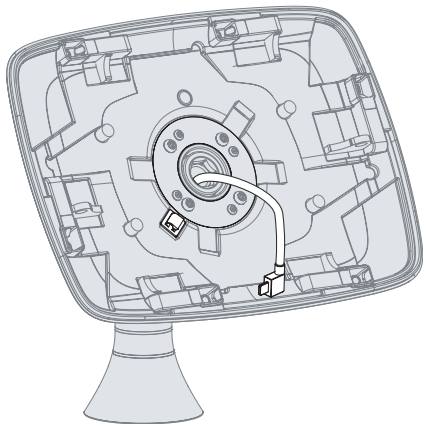
A16

Unlock and remove the Sumo Faceplate.



A17

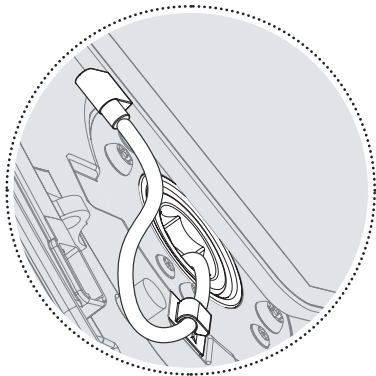
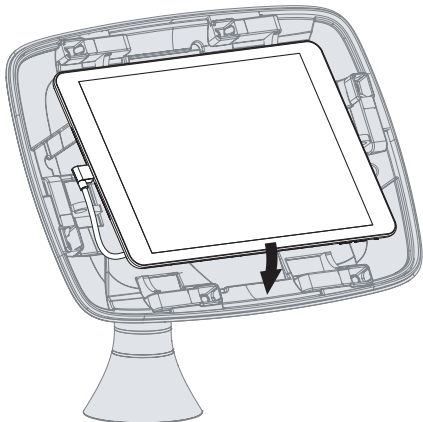
Feed your tablet cabling through the centre of the case and Case Clamping Plate. Clip the cable into place.



Where the power cable is connected to a power transformer, the cable must be fed from below.

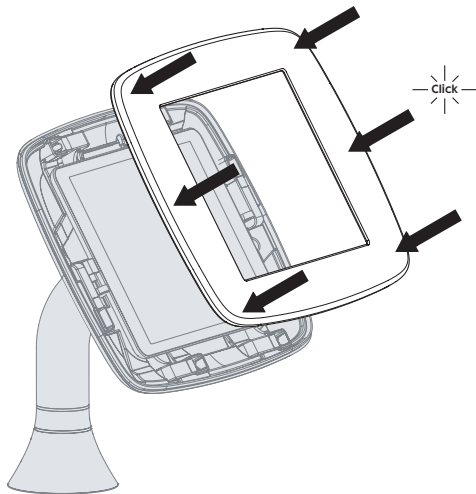
A18

Connect the cable to your tablet and place into the secure case. Your Sumo is configured to house the tablet as specified within your order. If you need to use a different tablet, please contact us.



A19

Attach the Sumo faceplate securely onto the main case body. Press the faceplate onto the case - ensuring all edges are locked securely in place.



A20

Finally, connect your tablet to its power source. **You have assembled your Sumo enclosure and it is now ready for use.**



**If you have any queries, please
contact our Customer Care Team.**

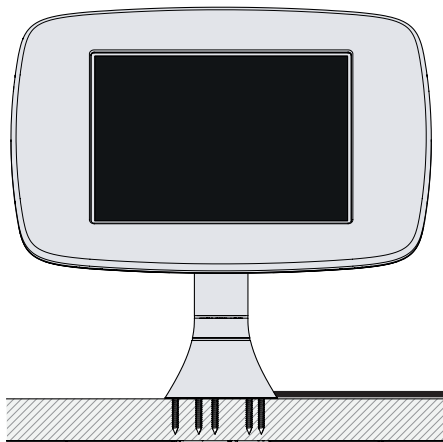
bouncepad™

Configuration

B

Fixing From Above

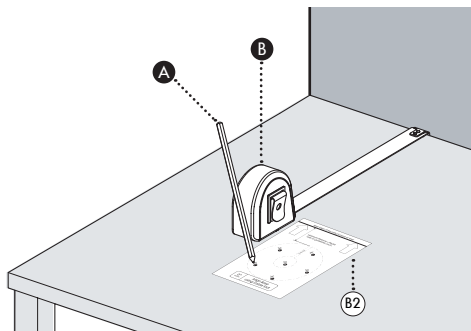
Screws must be no shorter than **30mm or 1 1/4"** for this option.
*(screws not supplied)



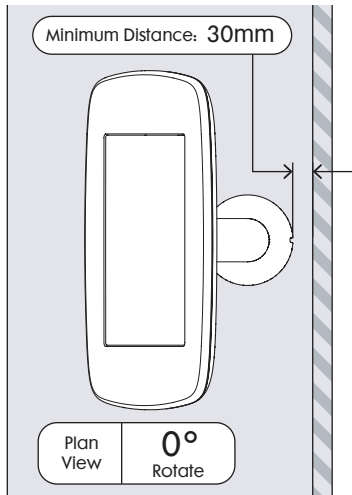
B1

If your Sumo Stalk Base is configured for a 0° Rotation follow $\textcircled{B1} + \textcircled{B2}$. Mark out the positions for the Mounting Holes.

Please note your chosen rotate configuration will determine the minimum distance that you can mount Sumo from a wall.

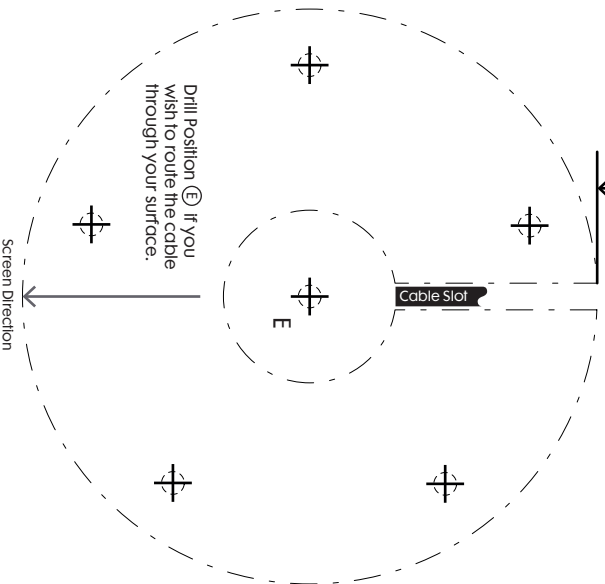


If you wish to insert the tablet cabling through your surface, please mark and drill position \textcircled{E} .



Rear Edge of Mounting Surface or Wall

30mm - Minimum Distance



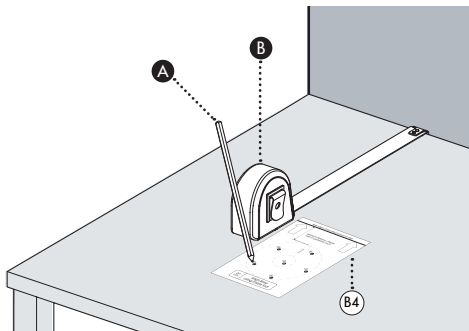
0°
Rotate

Align Base
using Cable Slot

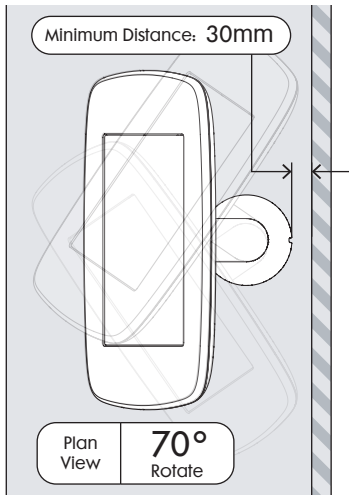
B2

B3

If your Sumo Stalk Base is configured for a 70° Rotation follow B3 + B4. Mark out the positions for the Mounting Holes.
Please note your chosen rotate configuration will determine the minimum distance that you can mount Sumo from a wall.

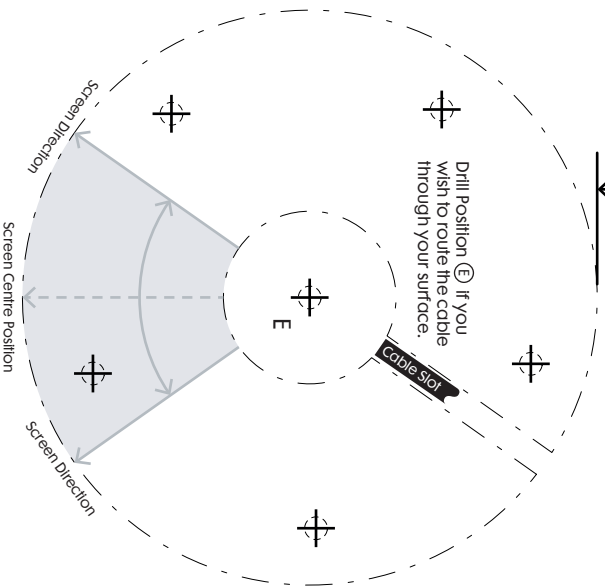


If you wish to insert the tablet cabling through your surface, please mark and drill position E.



Rear Edge of Mounting Surface or Wall

30mm - Minimum Distance



Drill Position ⑤ If you wish to route the cable through your surface.

70°
Rotate

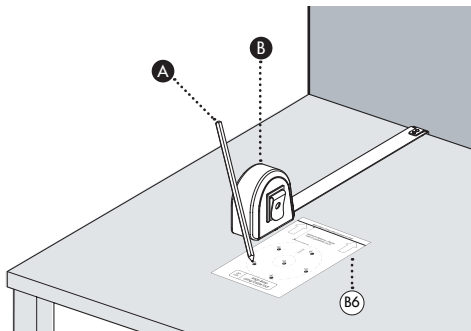
Align Base
using Cable Slot

B4

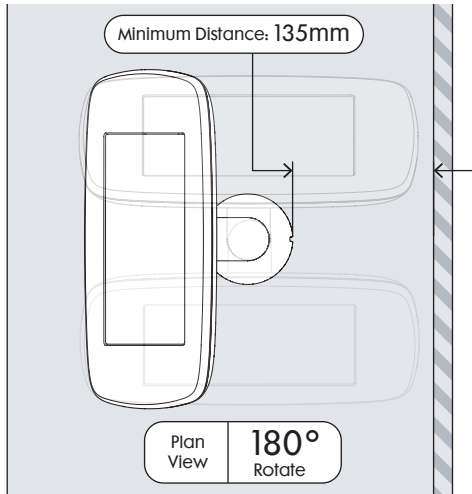
B5

If your Sumo Stalk Base is configured for a 180° Rotation follow **B5 + **B6**. Mark out the positions for the Mounting Holes.**

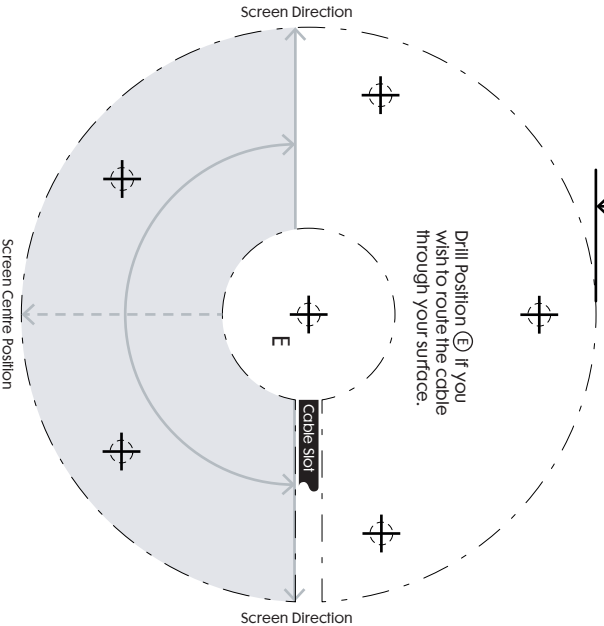
Please note your chosen rotate configuration will determine the minimum distance that you can mount Sumo from a wall.



If you wish to insert the tablet cabling through your surface, please mark and drill position **E.**



135mm - Minimum Distance



180°
Rotate

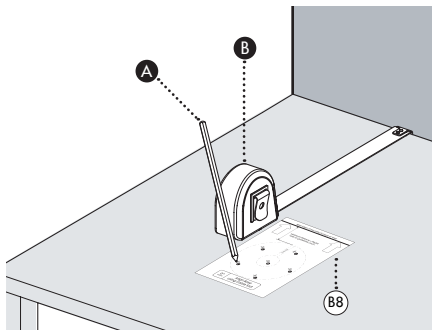
Align Base
using Cable Slot

B6

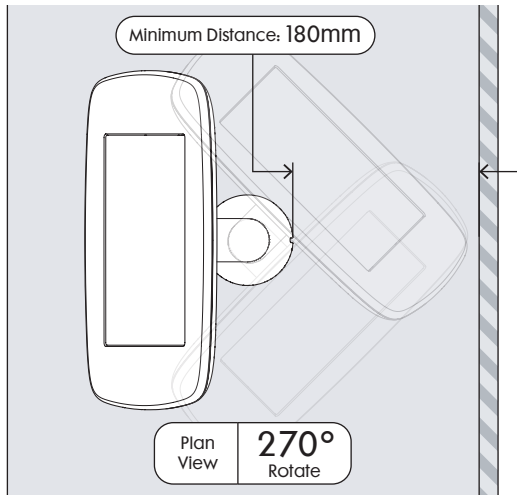
B7

If your Sumo Stalk Base is configured for a 270° Rotation follow **B7 + **B8**. Mark out the positions for the Mounting Holes.**

Please note your chosen rotate configuration will determine the minimum distance that you can mount Sumo from a wall.

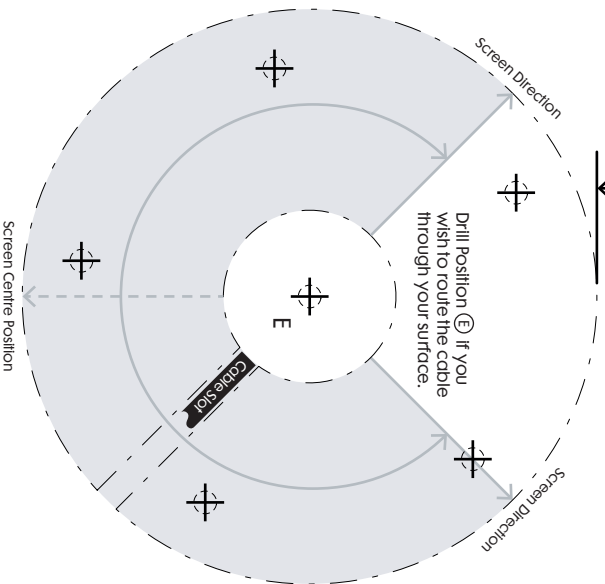


If you wish to insert the tablet cabling through your surface, please mark and drill position **E.**



Rear Edge of Mounting Surface or Wall

180mm - Minimum Distance



270°
Rotate

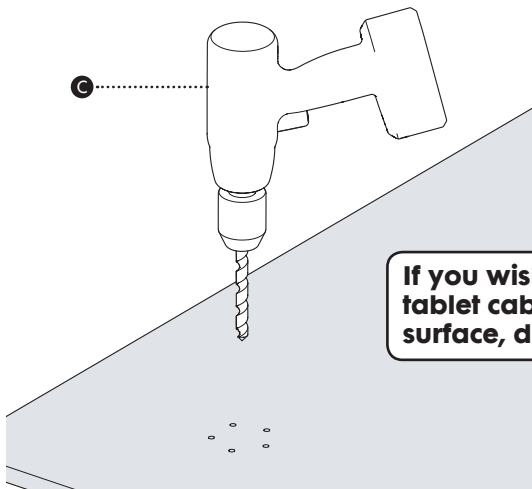
Align Base
using Cable Slot

B8

bouncepad™

B9

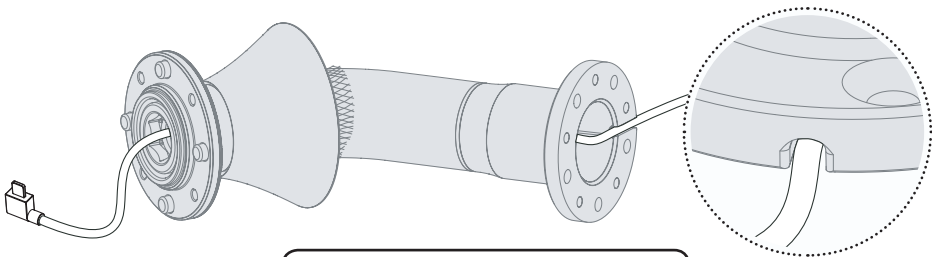
If required, drill pilot holes appropriate for your mounting material and screw type. Use the correct template for your rotate configuration - these guidelines can be found on the previous pages.



If you wish to insert the tablet cabling through your surface, drill position **E.**

B10

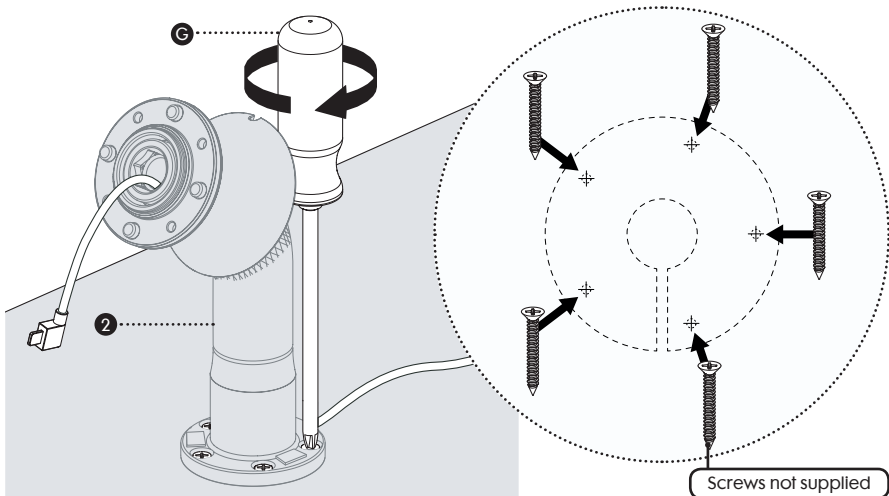
Feed your tablet cable through the Sumo stalk. Ensure the cable locates and remains within the cable slot in the base.



Where the power cable is connected to a power transformer, the cable must be fed from below.

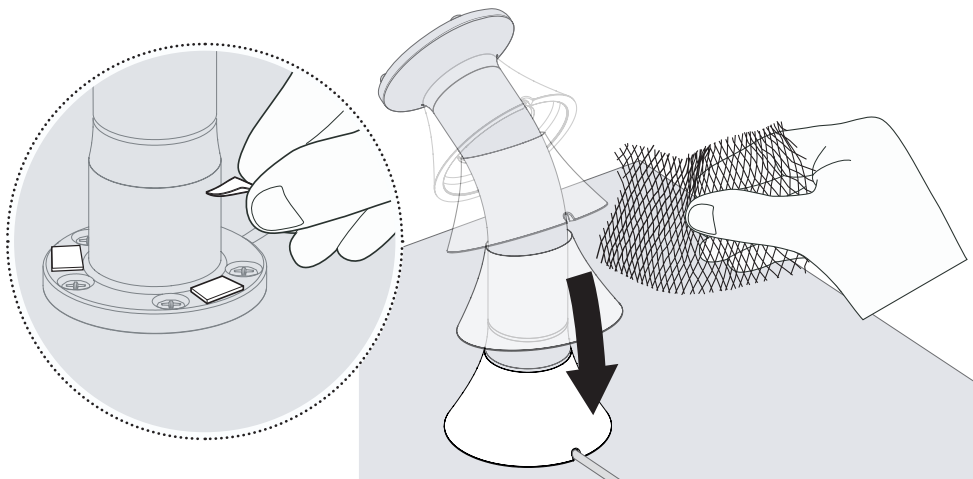
B11

Attach the Sumo stalk to your mounting surface using five countersunk screws. The screws must not be shorter than 30mm or 1 ¼ inches. For additional security, use anti-tamper screws. They must be screwed flush in the countersunk holes.



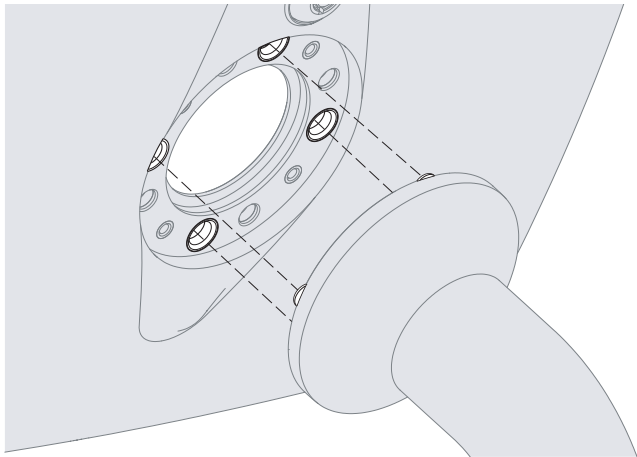
B12

Unpeel the adhesive pads on the Stalk Base and carefully slide the Stalk Cover onto the Stalk Base. Tear off the protective netting. Ensure that the Stalk Cover is securely stuck down.



B13

Locate the Sumo Case onto the Sumo Stalk using the metal locating pins on the Sumo Stalk. Please refer to the guidelines on **B14** to correctly configure the case orientation according to your chosen switch configuration.

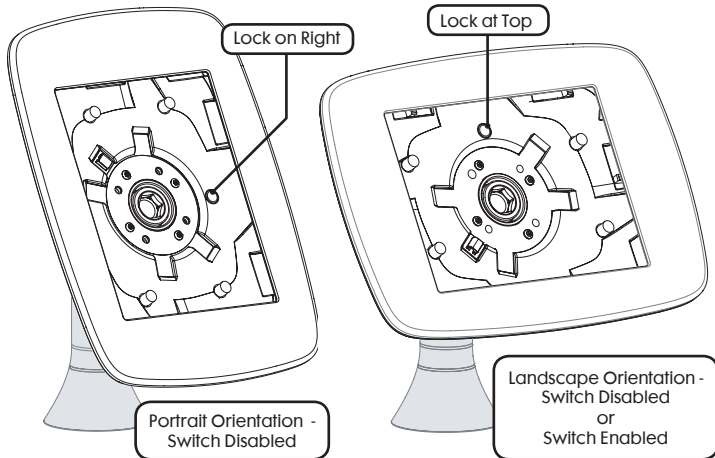


B14

Follow the guidelines below to correctly orientate your Sumo Case - appropriate to your specified Switch Configuration and chosen Case Orientation.

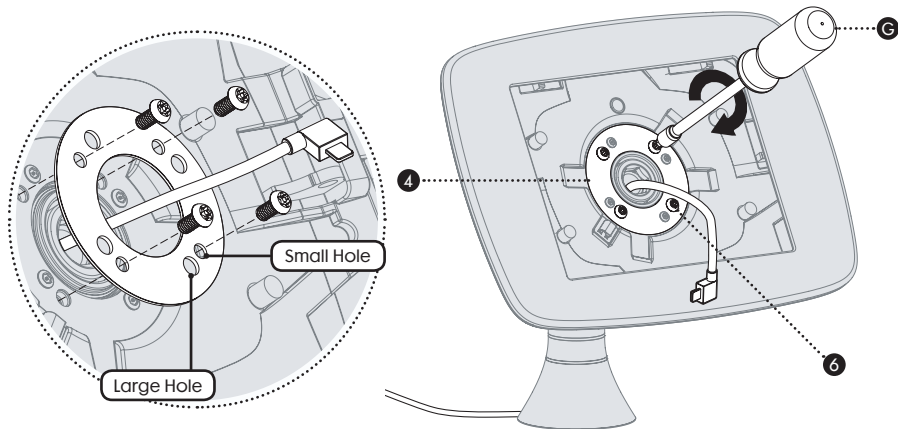
Hint:

Switch Configuration means whether the Neck of the Stalk allows the screen to rotate from portrait to landscape, or if the screen is locked in a static position.



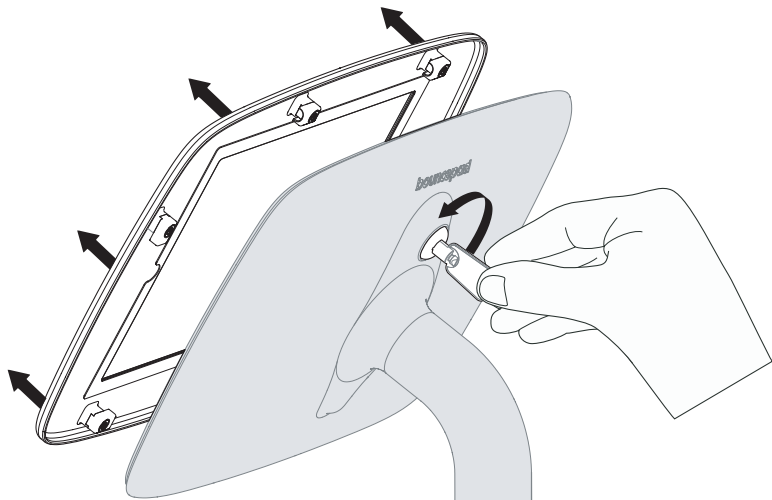
B15

Feed the tablet cable through the Case Clamping Plate and attach the Sumo case to the Stem. Ensure the metal Case Clamping Plate is orientated correctly - it must sit flush with the case. Tighten the screws to 2Nm or 1.5 ft-lb.



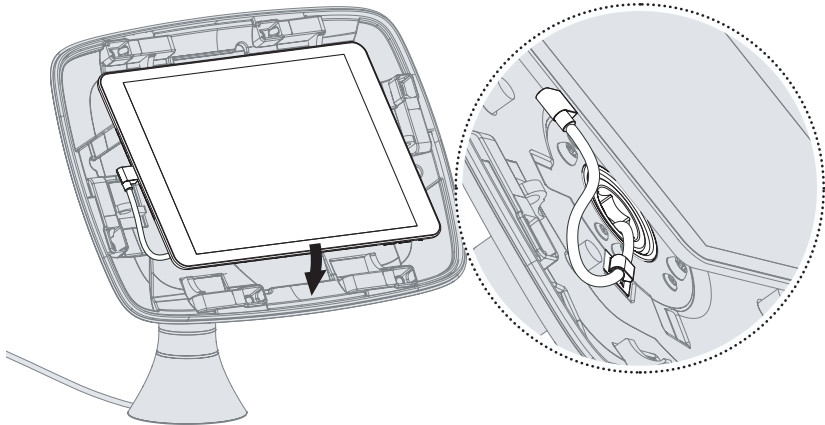
B16

Unlock and remove the Sumo Faceplate.



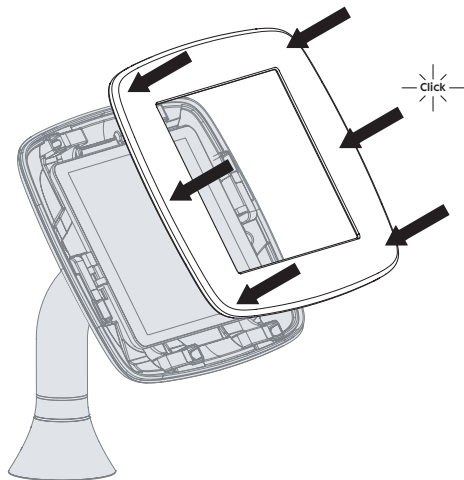
B17

Connect the cable to your tablet and place into the secure case. Your Sumo case is configured to house the tablet as specified in your order. If you need to use a different tablet, please contact us.



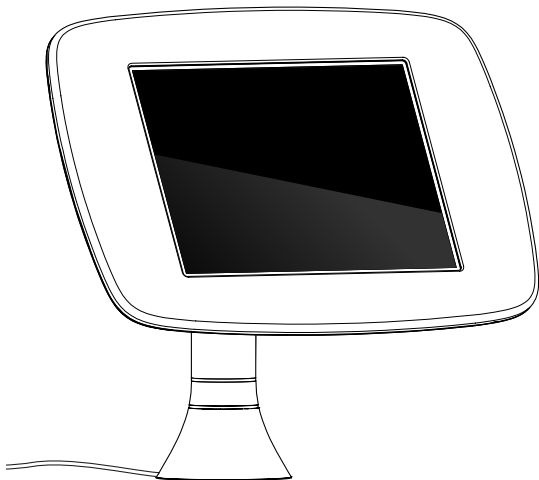
B18

Attach the Sumo faceplate securely onto the main case body. Press the faceplate onto the case - ensuring all edges are locked securely in place.



B19

Finally, connect your tablet to its power source. **You have assembled your Sumo enclosure and it is now ready for use.**



**If you have any queries, please
contact our Customer Care Team.**

www.bouncepad.com

bouncepadTM

© 2015 Bouncepad Spotspot Ltd. All rights reserved.