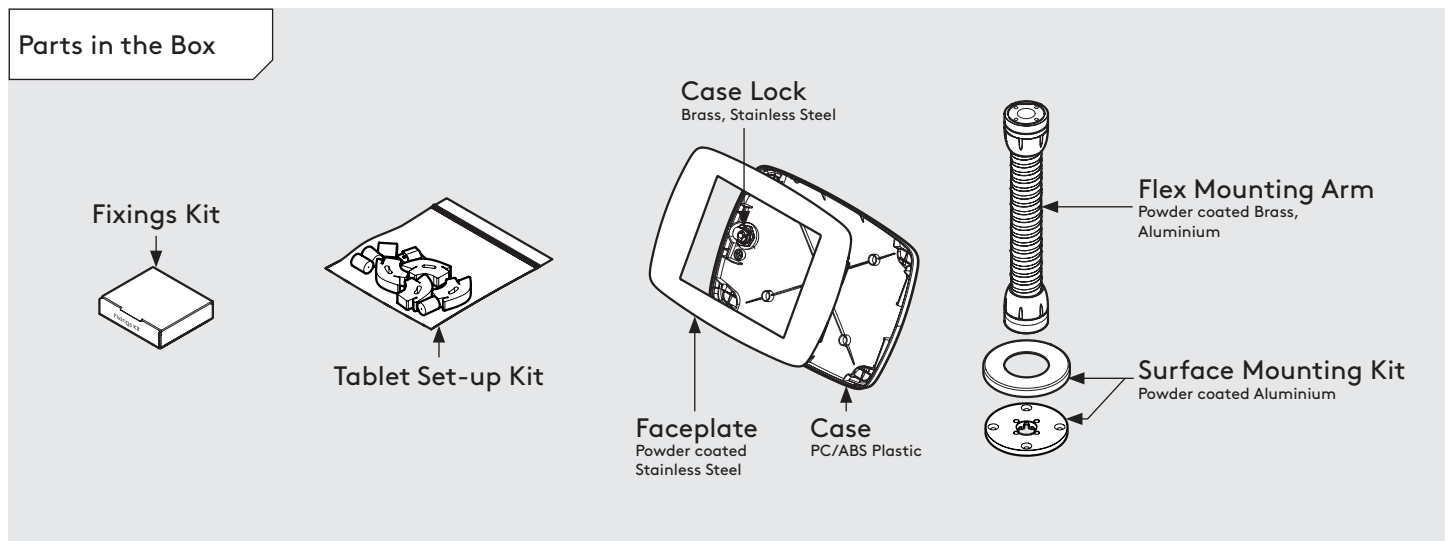
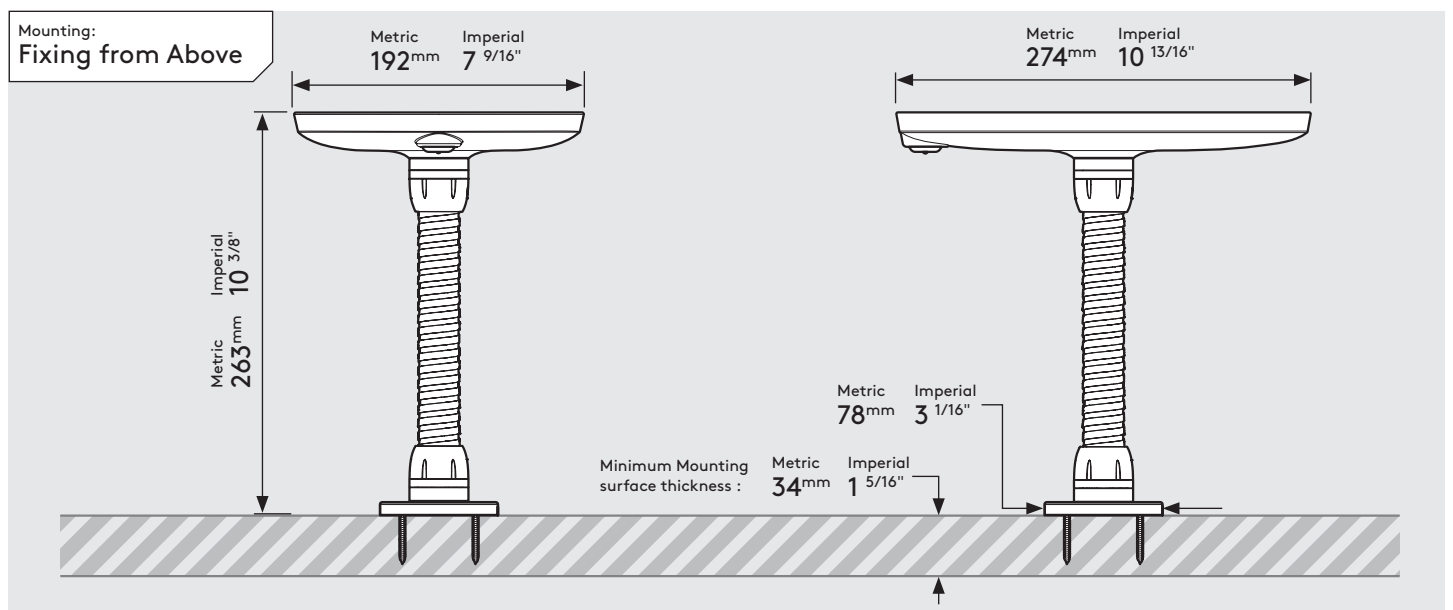
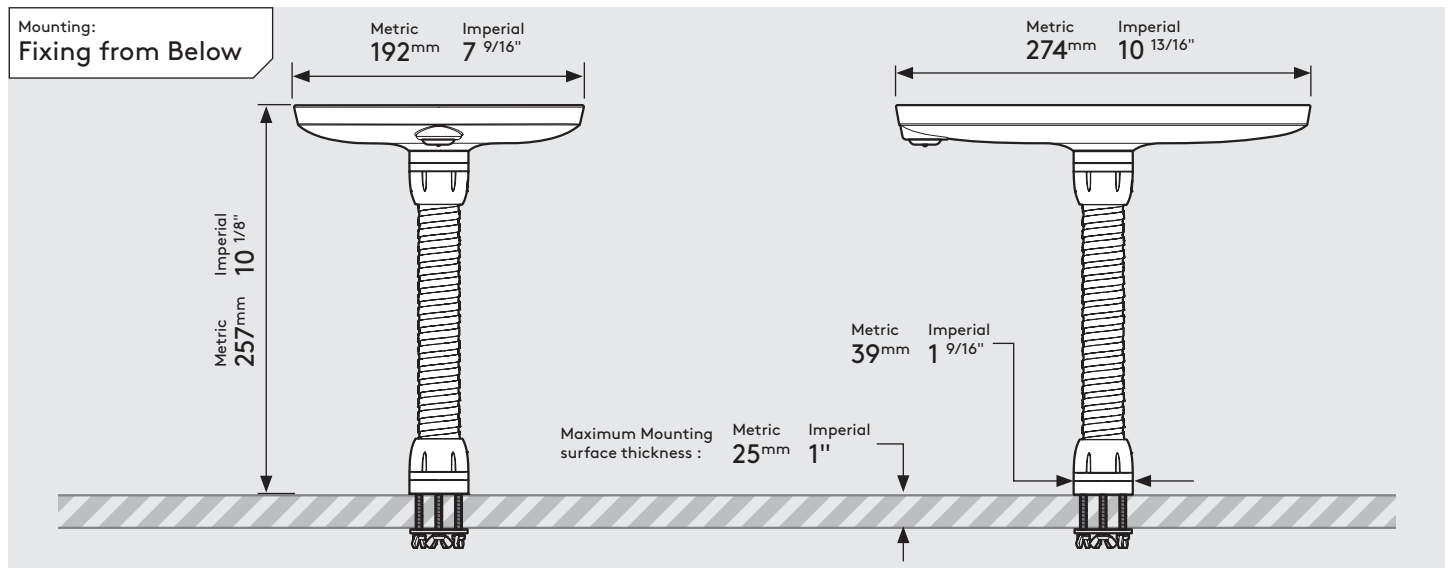


PRODUCT DATA SHEET - FLEX (MINI CASE)

bouncepad®

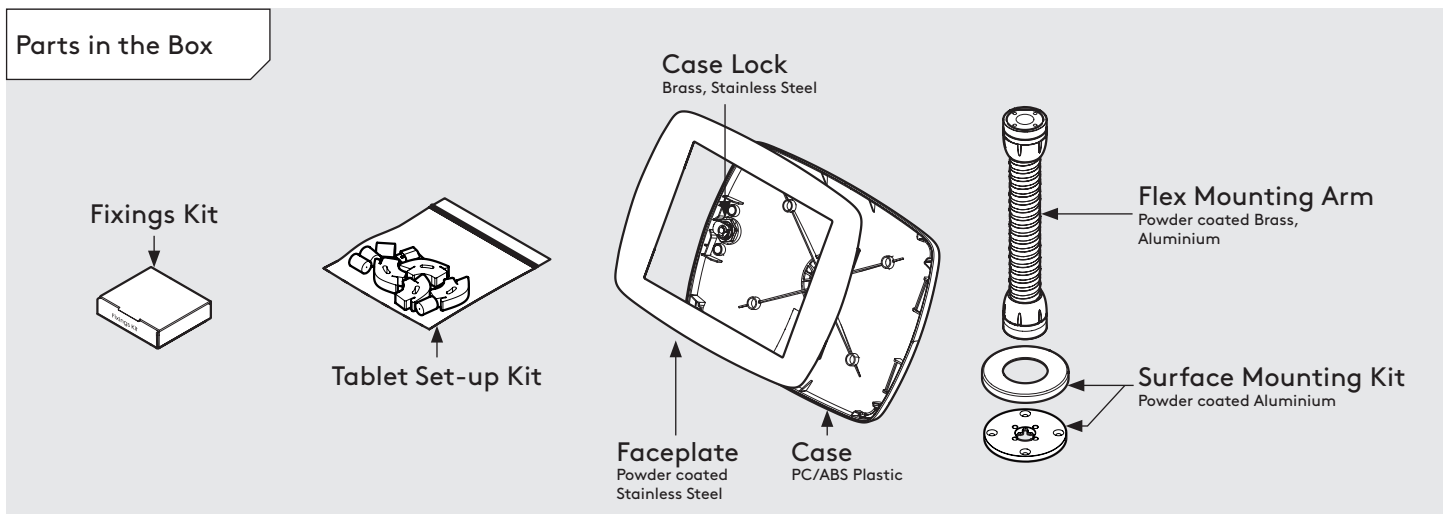
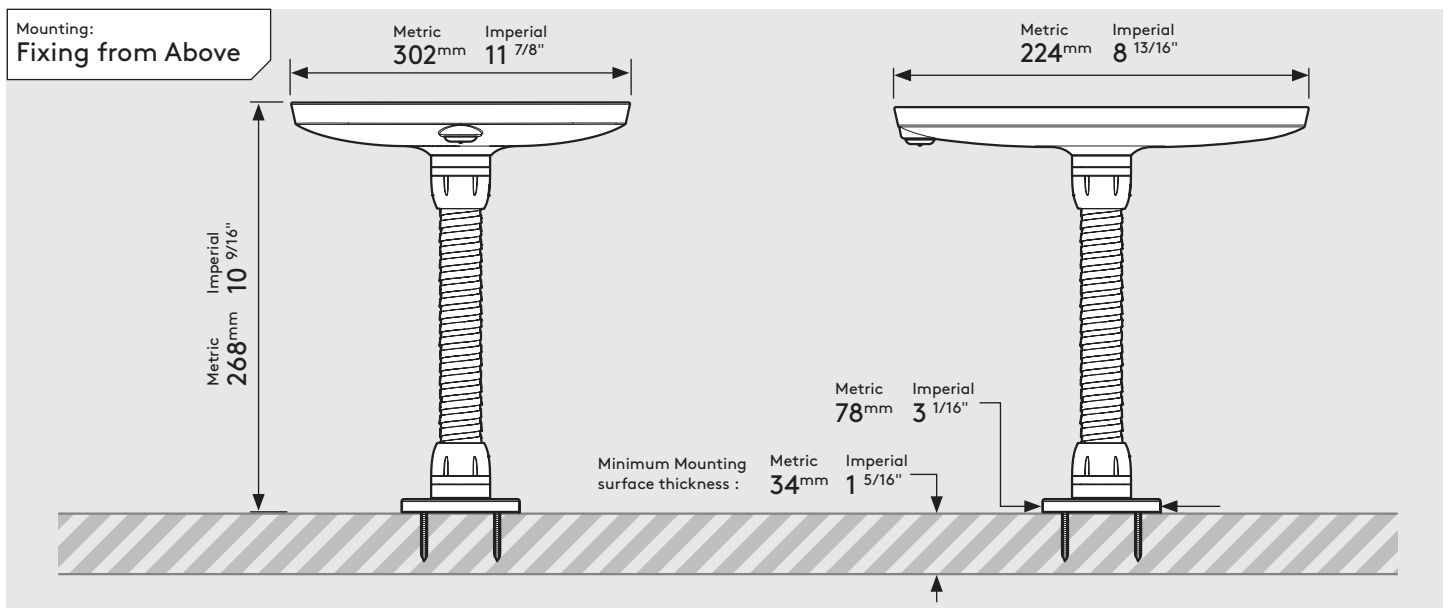
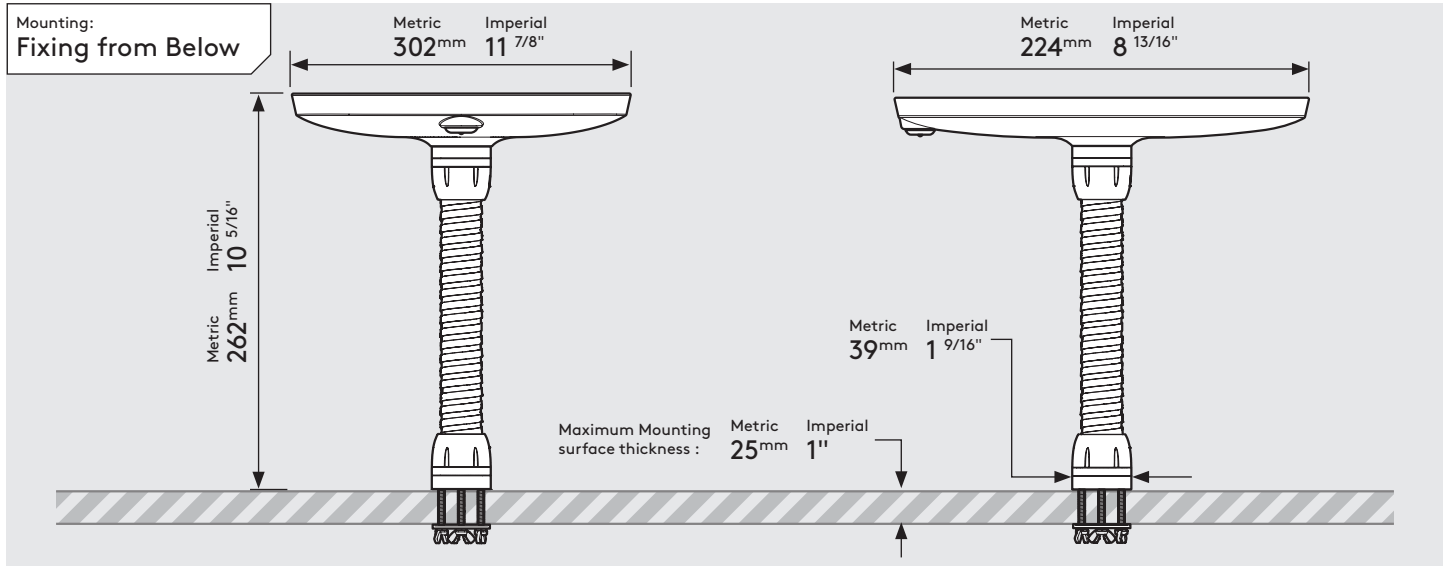
Case:	Arm:	Mounting:	Packaged weight:	Colour:
Mini	Flex	Fixing from Below Fixing from Above	2.25kg	White Black



PRODUCT DATA SHEET - FLEX (MIDI CASE)

bouncepad®

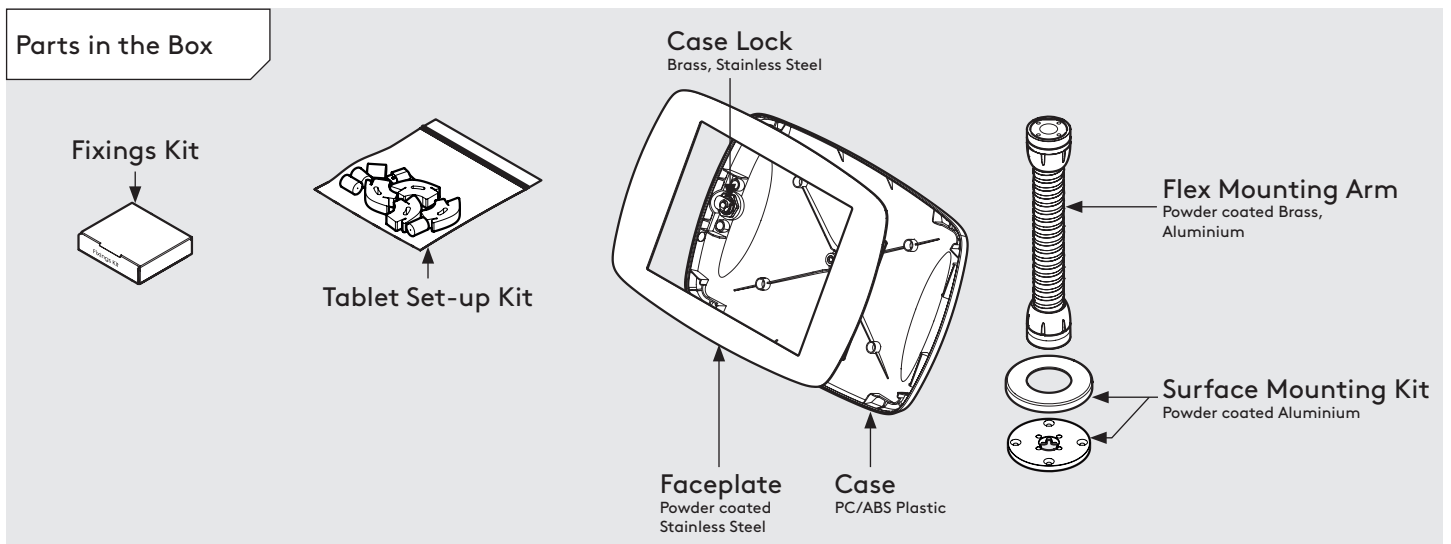
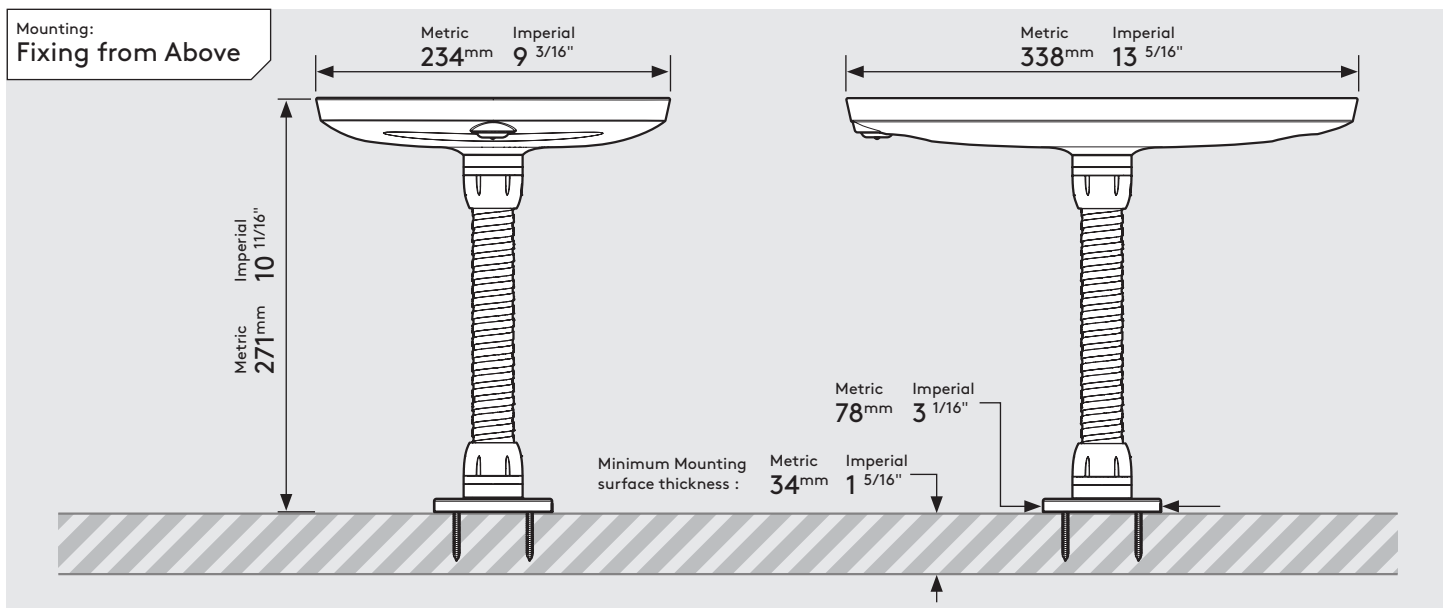
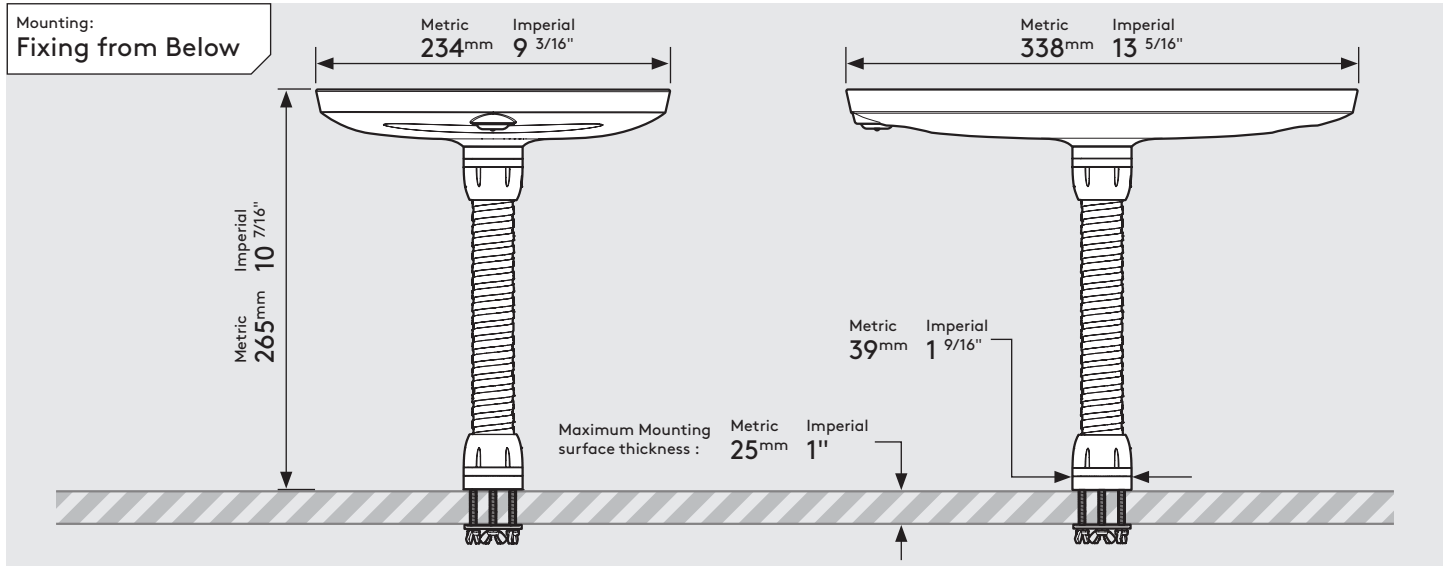
Case: Midi
Arm: Flex
Mounting: Fixing from Below
Fixing from Above
Packaged weight: 2.43kg
Colour: White
 Black



PRODUCT DATA SHEET - FLEX (MAXI CASE)

bouncepad®

Case:	Arm:	Mounting:	Packaged weight:	Colour:
Maxi	Flex	Fixing from Below Fixing from Above	2.66kg	White Black



PRODUCT DATA SHEET - FLEX (MEGA CASE)

bouncepad®

Case:	Arm:	Mounting:	Packaged weight:	Colour:
Mega	Flex	Fixing from Below Fixing from Above	3.05kg	White Black

