

IRCS Series

rack system

configured rack series designed for use in residential installations

features:

- Fully welded steel construction
- UL Listed with up to a 1,200 lb. / 544 kg weight capacity, depending on model
- Includes removable locking side panels
- Includes locking, reversible glass door and locking rear access panel
- Ships complete with locking swivel casters and leveling feet
- Each rack includes pre-installed shelves and blank panels



IRCS-4224

specifications:

EIA compliant 19" equipment rack shall be Middle Atlantic Products model #IRCS-__24 (see chart for available models). Overall dimensions of IRCS shall be __mm H x 592mm W" x 610mm D (refer to chart). Useable height of IRCS shall be __ racking spaces, useable depth shall be 513mm. IRCS shall come equipped with two pairs of adjustable steel rackrail with tapped 10-32 mounting holes in universal EIA spacing, black e-coat finish and numbered racking spaces. IRCS shall be of fully welded construction. IRCS shall include locking reversible tempered glass front door with a push-button latch. IRCS shall include solid locking rear and side panels. IRCS shall include locking swivel casters and leveling feet. IRCS shall have a top mounted grommet with an opening of 33mm x 191mm for cable pass through. IRCS shall have a 305mm x 305mm and 33mm x 191mm bottom opening. IRCS shall come preconfigured with shelves and blank panels, please refer to chart. IRCS shall be finished in an environmentally friendly, durable metallic grey powdercoat. Fully welded construction shall provide UL Listed load capacity of ___kg.(refer to chart.) IRCS shall be UL Listed in the US and Canada. IRCS shall be GREENGUARD Indoor Air Quality Certified for Children and Schools. IRCS shall comply with requirements of RoHS EU Directive 2002 / 95 / EC. IRCS shall be manufactured by an ISO 9001 and ISO 14001 registered company. IRCS enclosure shall be warranted to be free from defects in material or workmanship under normal use and conditions for the lifetime of the rack.

Customizable specification clips available at middleatlantic.com



PRODUCT CERTIFIED FOR LOW CHEMICAL EMISSIONS
UL.COM/GG
UL 2818

what **great systems** are built on.™

A brand of **legrand**

Middle Atlantic Products

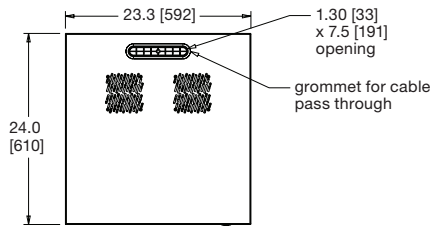
middleatlantic.com | middleatlantic.ca

IRCS Series

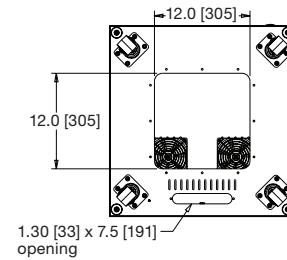
basic dimensions

all dimensions in inches unless otherwise noted [all dimensions in brackets are in millimeters]

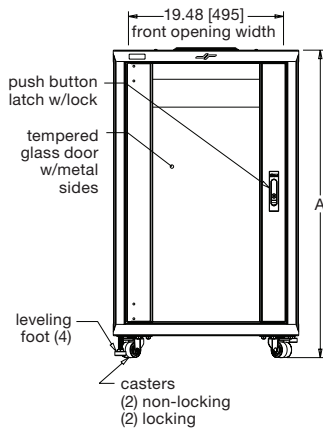
top view



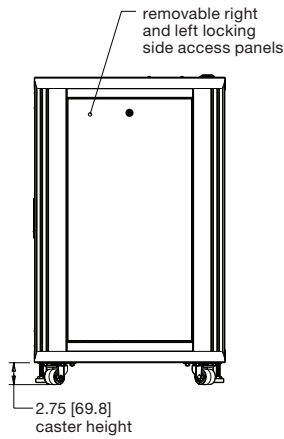
bottom view



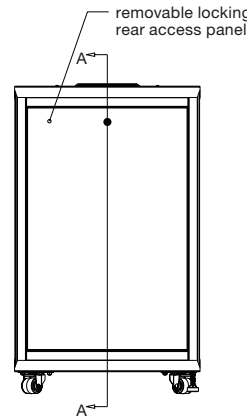
front view



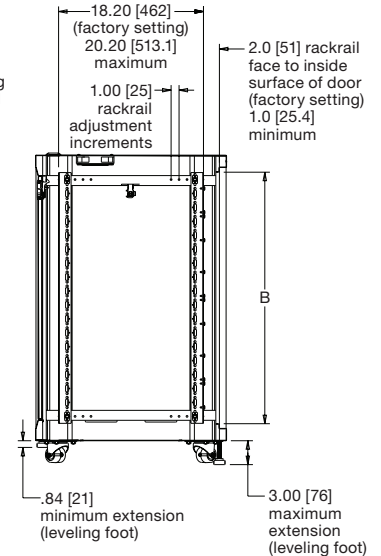
side view



back view



section a-a
front door not shown



| Part # | Weight Rating | "A" Overall Height | "B" Front Opening Height | Rackspaces |
|-----------|------------------|-----------------------|-----------------------------|-------------|
| IRCS-1824 | 500 lbs/227 kg | 38.62 [981] | 31.59 [802] | 18 [31.50"] |
| IRCS-2724 | 750 lbs/340 kg | 54.37 [1381] | 47.34 [1202] | 27 [47.25"] |
| IRCS-3524 | 1000 lbs/454 kg | 68.37 [1737] | 61.34 [1558] | 35 [61.25"] |
| IRCS-4224 | 1,200 lbs/544 kg | 80.62 [2048] | 73.59 [1869] | 42 [73.50"] |

what great systems are built on.™

A brand of **legrand**

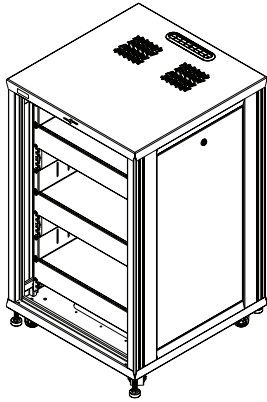
Middle Atlantic Products

middleatlantic.com | middleatlantic.ca

IRCS Series

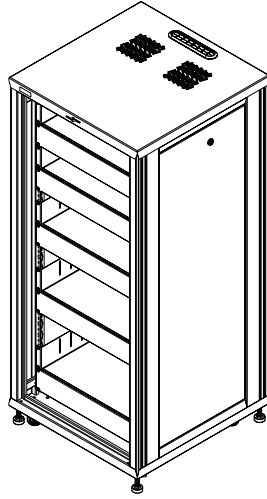
basic dimensions

all dimensions in inches unless otherwise noted [all dimensions in brackets are in millimeters]



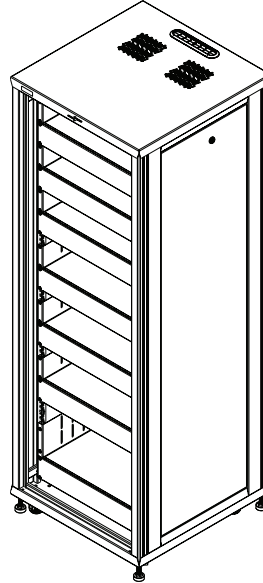
IRCS-1824

factory configuration
 (3) 2 space 16" [406] deep shelves
 (3) 1 space blank panels



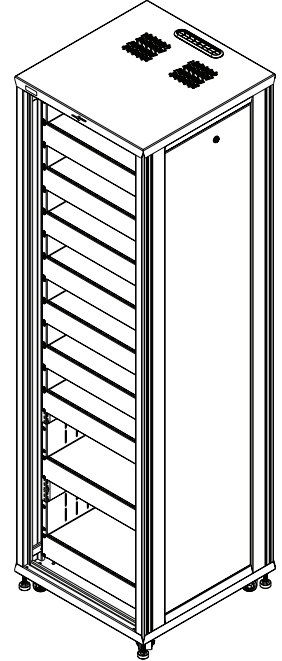
IRCS-2724

factory configuration
 (4) 2 space 16" [406] deep shelves
 (1) 2 space 18" [457] deep shelf
 (5) 1 space blank panels



IRCS-3524

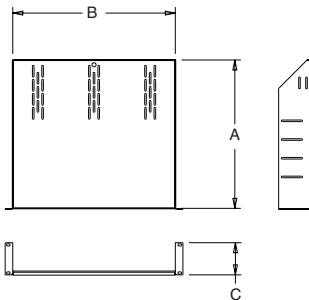
factory configuration
 (5) 2 space 16" [406] deep shelves
 (1) 2 space 18" [457] deep shelf
 (1) 3 space 20" [507] deep shelf
 (7) 1 space blank panels



IRCS-4224

factory configuration
 (5) 2 space 16" [406] deep shelves
 (2) 2 space 18" [457] deep shelves
 (2) 3 space 20" [507] deep shelves
 (9) 1 space blank panels

equipment shelf



| Shelf Size | Weight Rating | "A" Usable Depth | "B" Usable Width | Rack Spaces |
|----------------|---------------|---------------------|---------------------|-------------|
| 2 SP 16" shelf | 50 lbs | 15.86 [403] | 17.38 [441] | 2 |
| 2 SP 18" shelf | 50 lbs | 17.86 [454] | 17.38 [441] | 2 |
| 3 SP 20" shelf | 100 lbs | 19.86 [504] | 17.38 [441] | 3 |

what **great systems** are built on.™

A brand of **legrand**

Middle Atlantic Products

middleatlantic.com | middleatlantic.ca