

# Gigabit Ethernet to SC Fiber Media Converter - 1000Base-SX - Multimode - 550 m

MCMGBSCMM055

- FR: Guide de l'utilisateur - fr.startech.com
- DE: Bedienungsanleitung - de.startech.com
- ES: Guía del usuario - es.startech.com
- NL: Gebruiksaanwijzing - nl.startech.com
- PT: Guia do usuário - pt.startech.com
- IT: Guida per l'uso - it.startech.com

## Package contents

- 1 x media converter
- 1 x universal power adapter (NA/JP, UK, EU, ANZ)
- 1 x quick-start guide

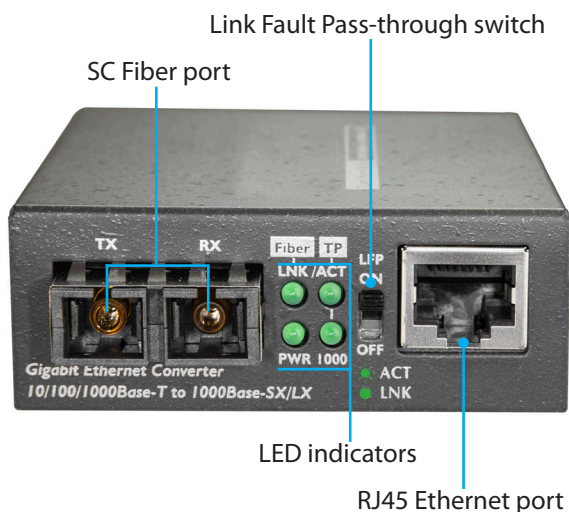
## Requirements

- Ethernet network (10/100/1000)
- Gigabit (1000Mbps) Fiber network

Requirements are subject to change. For the latest requirements, please visit [www.StarTech.com/MCMGBSCMM055](http://www.StarTech.com/MCMGBSCMM055).

## Product diagram

### Right view



### Left view



## LED indicators

LED	Status	Description
PWR	Illuminated green	Power is being received
	Not illuminated	Power is not being received
Fiber LNK/ACT	Illuminated green	Link to Fiber port detected
	Not illuminated	No link to Fiber port detected
	Blinking green	Data is being received or sent through the Fiber port
TP LNK/ACT	Illuminated green	Link to Ethernet port detected
	Not illuminated	No link to Ethernet port detected
	Blinking green	Data is being received or sent through the Ethernet port
TP 1000	Illuminated green	Port is transmitting data at 1000Mbps
	Not illuminated	Port is transmitting data at 10/100Mbps

\*actual product may vary from photos

# About Link Fault Pass-through

The MCMGBSCMM055 includes the LFP (Link Fault Pass-through) function. This means that when a device (for example, an Ethernet switch or router) is connected to the media converter and a link fault occurs on the local side of the connection, the media converter disconnects the link on the remote side of the connection. As a result, the LFP function can immediately alert network administrators to link errors, which can help to minimize the impact and duration of link errors. The LFP function includes the Link Loss Cary Forward (LLCF) and Link Loss Return (LLR) functions.

By default, the LFP function is enabled on the MCMGBSCMM055.

## Turn off the LFP function

1. To disable the LFP function, disconnect the universal power adapter from the power adapter port on the media converter.
2. Move the Link Fault Pass-through switch to the OFF position.
3. Reconnect the universal power adapter to the power adapter port on the media converter.

## About triple speed support

The RJ45 port on the MCMGBSCMM055 supports triple speed (10/100/1000 BASE-T) auto negotiation. The media converter automatically detects the link speed of the connected device and defaults to that link speed.

## Install the media converter

1. Turn off the device that you want to connect to the media converter.
2. Connect a Fiber cable to the device that you're connecting and to the SC Fiber port on the media converter. Make sure that you reverse the TX and RX leads between the device and the media converter.
3. Connect an Ethernet cable to the device that you're connecting and to the RJ45 Ethernet port on the media converter.
4. Connect the universal power adapter to the power adapter port on the media converter and an available AC power outlet. Verify that the PWR LED on the media converter illuminates.
5. Turn on the power on the connected device. Verify that the FX and TP link LEDs illuminate.

### FCC Compliance Statement

This equipment has been tested and found to comply with the limits for a Class A digital device, pursuant to part 15 of the FCC Rules. These limits are designed to provide reasonable protection against harmful interference in a commercial installation. This equipment generates, uses and can radiate radio frequency energy and, if not installed and used in accordance with the instructions, may cause harmful interference to radio communications. However, there is no guarantee that interference will not occur in a particular installation. If this equipment does cause harmful interference to radio or television reception, which can be determined by turning the equipment off and on, the user is encouraged to try to correct the interference by one or more of the following measures:

- Reorient or relocate the receiving antenna.
- Increase the separation between the equipment and receiver.
- Connect the equipment into an outlet on a circuit different from that to which the receiver is connected.
- Consult the dealer or an experienced radio/TV technician for help

This device complies with part 15 of the FCC Rules. Operation is subject to the following two conditions: (1) This device may not cause harmful interference, and (2) this device must accept any interference received, including interference that may cause undesired operation. Changes or modifications not expressly approved by StarTech.com could void the user's authority to operate the equipment.

### Industry Canada Statement

This Class A digital apparatus complies with Canadian ICES-003.  
Cet appareil numérique de la classe [A] est conforme à la norme NMB-003 du Canada.  
CAN ICES-3 (A)/NMB-3(A)

### Use of Trademarks, Registered Trademarks, and other Protected Names and Symbols

This manual may make reference to trademarks, registered trademarks, and other protected names and/or symbols of third-party companies not related in any way to StarTech.com. Where they occur these references are for illustrative purposes only and do not represent an endorsement of a product or service by StarTech.com, or an endorsement of the product(s) to which this manual applies by the third-party company in question. Regardless of any direct acknowledgement elsewhere in the body of this document, StarTech.com hereby acknowledges that all trademarks, registered trademarks, service marks, and other protected names and/or symbols contained in this manual and related documents are the property of their respective holders.

### Technical Support

StarTech.com's lifetime technical support is an integral part of our commitment to provide industry-leading solutions. If you ever need help with your product, visit [www.startech.com/support](http://www.startech.com/support) and access our comprehensive selection of online tools, documentation, and downloads. For the latest drivers/software, please visit [www.startech.com/downloads](http://www.startech.com/downloads)

### Warranty Information

This product is backed by a two-year warranty.

StarTech.com warrants its products against defects in materials and workmanship for the periods noted, following the initial date of purchase. During this period, the products may be returned for repair, or replacement with equivalent products at our discretion. The warranty covers parts and labor costs only. StarTech.com does not warrant its products from defects or damages arising from misuse, abuse, alteration, or normal wear and tear.

### Limitation of Liability

In no event shall the liability of StarTech.com Ltd. and StarTech.com USA LLP (or their officers, directors, employees or agents) for any damages (whether direct or indirect, special, punitive, incidental, consequential, or otherwise), loss of profits, loss of business, or any pecuniary loss, arising out of or related to the use of the product exceed the actual price paid for the product. Some states do not allow the exclusion or limitation of incidental or consequential damages. If such laws apply, the limitations or exclusions contained in this statement may not apply to you.