

INSTALLATION GUIDE



AXIS F44 Dual Audio Input

ENGLISH

FRANÇAIS

DEUTSCH

ITALIANO

ESPAÑOL

日本語

中文

Installation Guide

Legal Considerations

Video and audio surveillance can be regulated by laws that vary from country to country. Check the laws in your local region before using this product for surveillance purposes.

This product includes one (1) H.264 decoder license and one (1) AAC decoder license. To purchase further licenses, contact your reseller.

Liability

Every care has been taken in the preparation of this document. Please inform your local Axis office of any inaccuracies or omissions. Axis Communications AB cannot be held responsible for any technical or typographical errors and reserves the right to make changes to the product and manuals without prior notice. Axis Communications AB makes no warranty of any kind with regard to the material contained within this document, including, but not limited to, the implied warranties of merchantability and fitness for a particular purpose. Axis Communications AB shall not be liable nor responsible for incidental or consequential damages in connection with the furnishing, performance or use of this material. This product is only to be used for its intended purpose.

Intellectual Property Rights

Axis AB has intellectual property rights relating to technology embodied in the product described in this document. In particular, and without limitation, these intellectual property rights may include one or more of the patents listed at www.axis.com/patent.htm and one or more additional patents or pending patent applications in the US and other countries.

This product contains licensed third-party software. See the menu item "About" in the product's user interface for more information.

This product contains source code copyright Apple Computer, Inc., under the terms of Apple Public Source License 2.0 (see www.opensource.apple.com/aps/). The source code is available from <https://developer.apple.com/bonjour/>

Equipment Modifications

This equipment must be installed and used in strict accordance with the instructions given in the user documentation. This equipment contains no user-serviceable components. Unauthorized equipment changes or modifications will invalidate all applicable regulatory certifications and approvals.

Trademark Acknowledgments

AXIS COMMUNICATIONS, AXIS, ETRAX, ARTPEC and VAPIX are registered trademarks or trademark applications of Axis AB in various jurisdictions. All other company names and products are trademarks or registered trademarks of their respective companies.

Apple, Boa, Apache, Bonjour, Ethernet, Internet Explorer, Linux, Microsoft, Mozilla, Real, SMPTE, QuickTime, UNIX, Windows, Windows Vista and WWW are registered trademarks of the respective

holders. Java and all Java-based trademarks and logos are trademarks or registered trademarks of Oracle and/or its affiliates. UPnP™ is a certification mark of the UPnP™ Implementers Corporation.

SD, SDHC and SDXC are trademarks or registered trademarks of SD-3C, LLC in the United States, other countries or both. Also, miniSD, microSD, miniSDHC, microSDHC, microSDXC are all trademarks or registered trademarks of SD-3C, LLC in the United States, other countries or both.

Regulatory Information

Europe



This product complies with the applicable CE marking directives and harmonized standards:

- Electromagnetic Compatibility (EMC) Directive 2004/108/EC. See *Electromagnetic Compatibility (EMC) 2*.
- Low Voltage (LVD) Directive 2006/95/EC. See *Safety 2*.
- Restrictions of Hazardous Substances (RoHS) Directive 2011/65/EU. See *Disposal and Recycling 3*.

A copy of the original declaration of conformity may be obtained from Axis Communications AB. See *Contact Information 3*.

Electromagnetic Compatibility (EMC)

This equipment has been designed and tested to fulfill applicable standards for:

- Radio frequency emission when installed according to the instructions and used in its intended environment.
- Immunity to electrical and electromagnetic phenomena when installed according to the instructions and used in its intended environment.

USA

This equipment has been tested using a shielded network cable (STP) and found to comply with the limits for a Class A digital device, pursuant to part 15 of the FCC Rules. These limits are designed to provide reasonable protection against harmful interference when the equipment is operated in a commercial environment. This equipment generates, uses, and can radiate radio frequency energy and, if not installed and used in accordance with the instruction manual, may cause harmful interference to radio communications. Operation of this equipment in a residential area is likely to cause harmful interference in which case the user will be required to correct the interference at his own expense. The product shall be connected using a shielded network cable (STP) that is properly grounded.

Safety

This product complies with IEC/EN/UL 60950-1, Safety of Information Technology Equipment. If its connecting cables are routed outdoors, the product

shall be grounded either through a shielded network cable (STP) or other appropriate method.

The power supply used with this product shall fulfill the requirements for Safety Extra Low Voltage (SELV) and Limited Power Source (LPS) according to IEC/EN/UL 62368-1 or IEC/EN/UL 60950-1.

Disposal and Recycling

When this product has reached the end of its useful life, dispose of it according to local laws and regulations. For information about your nearest designated collection point, contact your local authority responsible for waste disposal. In accordance with local legislation, penalties may be applicable for incorrect disposal of this waste.

Europe



■ This symbol means that the product shall not be disposed of together with household or commercial waste. Directive 2012/19/EU on waste electrical and electronic equipment (WEEE) is applicable in the European Union member states. To prevent potential harm to human health and the environment, the product must be disposed of in an approved and environmentally safe recycling process. For information about your nearest designated collection point, contact your local authority responsible for waste disposal. Businesses should contact the product supplier for information about how to dispose of this product correctly.

This product complies with the requirements of Directive 2011/65/EU on the restriction of the use of certain hazardous substances in electrical and electronic equipment (RoHS).

China



This product complies with the requirements of the legislative act Administration on the Control of Pollution Caused by Electronic Information Products (ACPEIP).

Contact Information

Axis Communications AB
Emdalavägen 14
223 69 Lund
Sweden

Tel: +46 46 272 18 00

Fax: +46 46 13 61 30

www.axis.com

Support

Should you require any technical assistance, please contact your Axis reseller. If your questions cannot be answered immediately, your reseller will forward your queries through the appropriate channels to ensure a rapid response. If you are connected to the Internet, you can:

- download user documentation and software updates
- find answers to resolved problems in the FAQ database. Search by product, category, or phrase
- report problems to Axis support staff by logging in to your private support area
- chat with Axis support staff
- visit Axis Support at www.axis.com/techsup/

Learn More!

Visit Axis learning center www.axis.com/academy/ for useful trainings, webinars, tutorials and guides.

Safety Information

Read through this Installation Guide carefully before installing the product. Keep the Installation Guide for future reference.

Hazard Levels

⚠ DANGER

Indicates a hazardous situation which, if not avoided, will result in death or serious injury.

⚠ WARNING

Indicates a hazardous situation which, if not avoided, could result in death or serious injury.

⚠ CAUTION

Indicates a hazardous situation which, if not avoided, could result in minor or moderate injury.

NOTICE

Indicates a situation which, if not avoided, could result in damage to property.

Other Message Levels

Important

Indicates significant information which is essential for the product to function correctly.

Note

Indicates useful information which helps in getting the most out of the product.

Safety Instructions

NOTICE

- The Axis product shall be used in compliance with local laws and regulations.
- To use the Axis product outdoors, or in similar environments, it shall be installed in an approved outdoor housing.
- Store the Axis product in a dry and ventilated environment.
- Avoid exposing the Axis product to shocks or heavy pressure.
- Do not install the product on unstable brackets, surfaces or walls.
- Use only applicable tools when installing the Axis product. Using excessive force with power tools could cause damage to the product.
- Do not use chemicals, caustic agents, or aerosol cleaners.
- Use a clean cloth dampened with pure water for cleaning.
- Use only accessories that comply with the technical specification of the product. These can be provided by Axis or a third party.
- Use only spare parts provided by or recommended by Axis.
- Do not attempt to repair the product yourself. Contact Axis support or your Axis reseller for service matters.

Transportation

NOTICE

- When transporting the Axis product, use the original packaging or equivalent to prevent damage to the product.

Battery

The Axis product uses a 3.0 V BR2032 lithium battery as the power supply for its internal real-time clock (RTC). Under normal conditions this battery will last for a minimum of five years.

Low battery power affects the operation of the RTC, causing it to reset at every power-up. When the battery needs replacing, a log message will appear in the product's server report. For more information about the server report, see the product's setup pages or contact Axis support.

The battery should not be replaced unless required, but if the battery does need replacing, contact Axis support at www.axis.com/techsup for assistance.

Lithium coin cell 3.0 V batteries contain 1,2-dimethoxyethane; ethylene glycol dimethyl ether (EGDME), CAS no. 110-71-4.

⚠ WARNING

- Risk of explosion if the battery is incorrectly replaced.
- Replace only with an identical battery or a battery which is recommended by Axis.
- Dispose of used batteries according to local regulations or the battery manufacturer's instructions.

Installation guide

This Installation Guide provides instructions for installing AXIS F44 Dual Audio Input Main Unit on your network. For other aspects of using the product, see the User Manual available at www.axis.com

Installation Steps

1. Make sure the package contents, tools and other materials necessary for the installation are in order. See *page 9*.
2. Study the hardware overview. See *page 10*.
3. Study the specifications. See *page 16*.
4. Install the hardware. See *page 21*.
5. Access the product. See *page 22*.

Package Contents

- AXIS F44 Dual Audio Input Main Unit
- Stereo-to-mono adapter
- 2-pin power connector block
- 6-pin I/O connector block
- 5-pin RS232 connector block
- Printed materials
 - Installation Guide (this document)
 - Extra serial number label (2x)
 - AVHS Authentication key

Recommended Tools

- Torx screwdriver T20 to remove the plastic cover bottom

Optional Accessories

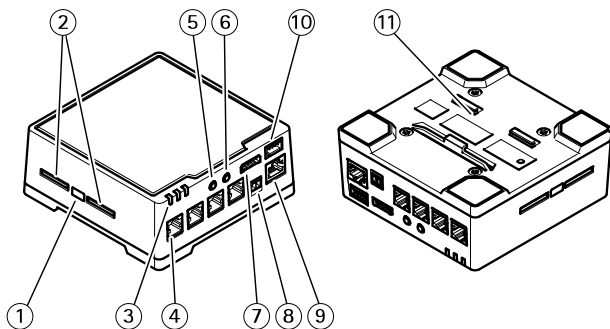
- AXIS F8001 Surface Mount with Strain Relief

AXIS F44 Dual Audio Input

- AXIS F8002 DIN Rail Clip

For information about available accessories, see www.axis.com

Hardware Overview



1. Control button
2. SD card slots
3. LEDs (Power, Status, Network)
4. RJ12 connector (4x)
5. Audio in
6. Audio out
7. I/O connector
8. Power connector
9. Network connector (PoE)
10. RS232 connector
11. Plastic bottom plate

Shorten Sensor Unit Cable

Note

- The sensor unit cable cannot be extended or split.

- When routing the sensor unit cable, the minimum bending radius is 40 mm.

The sensor unit is delivered with a cable. To shorten the cable follow these steps:

1. Cut the cable to the desired length. Measure from the sensor unit.
2. Strip the plastic outer coating from the end of the cable.
3. Peel back the shield.
4. Flatten the colored wires in the order described below.

1	Brown
2	White/brown
3	Not used
4	Not used
5	White/blue
6	Blue

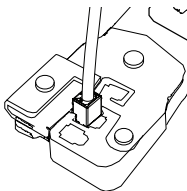
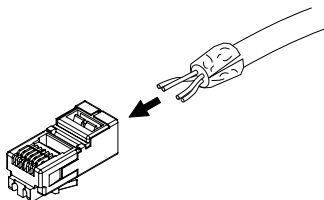
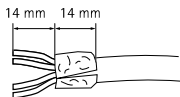
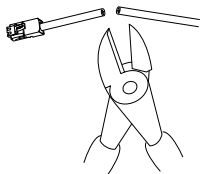
5. Insert the wires all the way into a shielded 6P6C RJ12 connector.

NOTICE

Make sure that the wires stay in the correct order and that the cable shield makes good contact with the connector shield.

6. Use a crimping tool to fasten the connector to the cable.

AXIS F44 Dual Audio Input



LED Indicators

Note

- The Status LED can be configured to be unlit during normal operation. To configure, go to **Setup > System Options > Ports & Devices > LED**. See the online help for more information.
- The Status LED can be configured to flash while an event is active.
- The Status LED can be configured to flash for identifying the unit. Go to **Setup > System Options > Maintenance**.

Status LED	Indication
Green	Steady green for normal operation.
Amber	Steady during startup. Flashes when restoring settings.

Note

The Network LED can be disabled so that it does not flash when there is network traffic. To configure, go to **Setup > System Options > Ports & Devices > LED**. See the online help for more information.

Network LED	Indication
Green	Steady for connection to a 100 Mbit/s network. Flashes for network activity.
Amber	Steady for connection to a 10 Mbit/s network. Flashes for network activity.
Unlit	No network connection.

Power LED	Indication
Green	Normal operation.
Amber	Flashes green/amber during firmware upgrade.

Connectors and Buttons

For specifications and operating conditions, see *page 16*.

Network Connector

RJ45 Ethernet connector with Power over Ethernet (PoE).

NOTICE

The product shall be connected using a shielded network cable (STP). All cables connecting the product to the network shall be intended for their specific use. Make sure that the network

AXIS F44 Dual Audio Input

devices are installed in accordance with the manufacturer's instructions. For information about regulatory requirements, see *Electromagnetic Compatibility (EMC) 2*.

I/O Connector

Use with external devices in combination with, for example, tampering alarms, motion detection, event triggering, time lapse recording and alarm notifications. In addition to the 0 V DC reference point and power (DC output), the I/O connector provides the interface to:

- **Digital output** – For connecting external devices such as relays and LEDs. Connected devices can be activated by the VAPIX® Application Programming Interface, output buttons on the Live View page or by an Action Rule. The output will show as active (shown under **System Options > Ports & Devices**) if the alarm device is activated.
- **Digital input** – An alarm input for connecting devices that can toggle between an open and closed circuit, for example: PIRs, door/window contacts, glass break detectors, etc. When a signal is received the state changes and the input becomes active (shown under **System Options > Ports & Devices**).

Power Connector

2-pin terminal block for power input. Use a Safety Extra Low Voltage (SELV) compliant limited power source (LPS) with either a rated output power limited to ≤ 100 W or a rated output current limited to ≤ 5 A.

Audio Connector

The Axis product has the following audio connectors:

- **Audio in** – 3.5 mm input for two mono microphones, or two line-in mono signals (using the supplied stereo-to-mono adapter).
- **Audio out** – 3.5 mm output for audio (line level) that can be connected to a public address (PA) system or an active speaker

with a built-in amplifier. A stereo connector must be used for audio out.

RS232 Connector

5-pin terminal block for the RS232 serial interface used to control auxiliary equipment. In order to use the RS232 port, a third party application for AXIS Camera Application Platform is required.

RJ12 Connector

The RJ12 connector is used for connecting the sensor unit to the main unit. For information on how to shorten the sensor unit cable see *Shorten Sensor Unit Cable on page 10*.

SD card slot

NOTICE

- Risk of damage to SD card. Do not use sharp tools, metal objects or excessive force when inserting or removing the SD card. Use your fingers to insert and remove the card.
- Risk of data loss and corrupted recordings. Do not remove the SD card while the product is running. Disconnect power or unmount the SD card from the Axis product's webpages before removal.

This product supports SD/SDHC/SDXC cards (not included).

For SD card recommendations, see www.axis.com

Control Button

For location of the control button, see *Hardware Overview on page 10*.

The control button is used for:

- Resetting the product to factory default settings. See *page 22*.

AXIS F44 Dual Audio Input

- Connecting to an AXIS Video Hosting System service or AXIS Internet Dynamic DNS Service. For more information about these services, see the User Manual.

Specifications

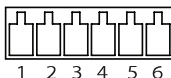
The Axis product is intended for indoor use.

Classification	Temperature	Humidity
IEC/EN 60529	-30 °C to 60 °C (-22 °F to 140 °F)	10-85% RH (non-condensing)

Connectors

I/O Connector

6-pin terminal block



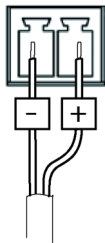
For an example diagram, see *Connection Diagrams* on page 20.

Function	Pin	Notes	Specifications
0VDC (-)	1		0 V DC
DC output	2	Can be used to power auxiliary equipment. Note: This pin can only be used as power out.	12 V DC Max load = 50 mA

Configurable (Input or Output)	3	Digital input – Connect to pin 1 to activate, or leave floating (unconnected) to deactivate.	0 to max 30 V DC
	6	Digital output – Connected to pin 1 when activated, floating (unconnected) when deactivated. If used with an inductive load, e.g. a relay, a diode must be connected in parallel with the load, for protection against voltage transients.	0 to max 30 V DC, open drain, 100 mA

Power Connector

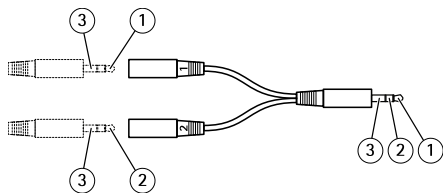
2-pin terminal block for DC power input. Use a Safety Extra Low Voltage (SELV) compliant limited power source (LPS) with either a rated output power limited to ≤ 100 W or a rated output current limited to ≤ 5 A.



AXIS F44 Dual Audio Input

Audio Connector

Input:
3.5 mm audio
connector
(stereo)



1	2	3
Audio 1 Microphone/Line in	Audio 2 Microphone/Line in	Ground

Output:
3.5 mm audio
connector
(stereo)



1 Tip	2 Ring	3 Sleeve
Line out (mono)		Ground

RS232 Connector

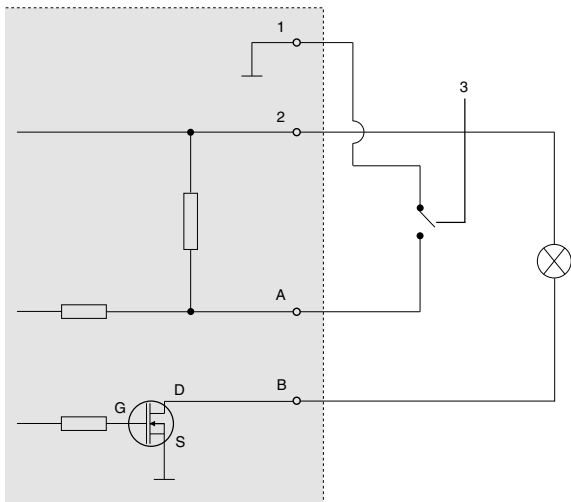
5-pin terminal block for the RS232 serial interface used to control auxiliary equipment. In order to use the RS232 port, a third party application for AXIS Camera Application Platform is required. The port can be used in the following modes:

- 2TX/2RX RS-232 interface (TXD, RTS, GND, CTS, RXD)

Function	Pin	Notes
RS232 TD	1	RS232 Driver Output
RS232 RTS	2	
RS232 GND	3	Ground
RS232 CTS	4	RS232 Receiver Input
RS232 RD	5	

Connection Diagrams

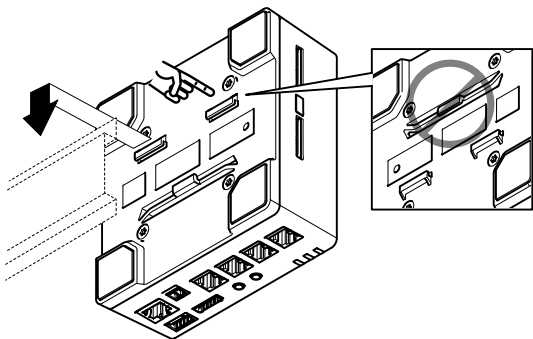
I/O Connector



- 1 0 V DC (-)
- 2 DC output 12 V, max 50 mA
- 3 Example: push button
- A I/O configured as input
- B I/O configured as output

Install the Hardware

The main unit can be placed on a table desktop or mounted on a DIN rail. To facilitate routing the cables from the top or side remove the 4 screws (Torx T20) and suitably realign the bottom plate under the unit (see *Hardware Overview on page 10*). See www.axis.com for optional accessories.



1. If required, press to release the dummy SD card and insert an SD memory card in the SD memory card slot.
2. Attach the network cable to connect the main unit to the network.
3. Connect the sensor unit to the main unit with the RJ12 cable.
4. If required, connect an AC/DC power supply to the power connector.
5. If required, attach the I/O cable using the 6-pin I/O connector block to connect external input/output devices.
6. If required, attach the audio cables to connect an active speaker/external microphone.

7. If required, attach the RS232 cable to connect to auxiliary equipment.

Access the Product

AXIS IP Utility and AXIS Camera Management are recommended methods for finding Axis products on the network and assigning them IP addresses in Windows®. Both applications are free and can be downloaded from www.axis.com/techsup

The product can be used with most operating systems and browsers. We recommend the following browsers:

- Internet Explorer® with Windows®
- Safari® with OS X®
- Chrome™ or Firefox® with other operating systems.

For more information about using the product, see the User Manual available at www.axis.com

Reset to Factory Default Settings

Important

Reset to factory default should be used with caution. A reset to factory default will reset all settings, including the IP address, to the factory default values.

Note

The installation and management software tools are available from the support pages on www.axis.com/techsup

For products with multiple IP addresses channel 1 will have the address 192.168.0.90, channel 2 will have the address 192.168.0.91 and so on.

To reset the product to the factory default settings:

1. Disconnect power from the product.

2. Press and hold the control button and reconnect power. See *Hardware Overview on page 10*.
3. Keep the control button pressed for 15–30 seconds until the status LED indicator flashes amber.
4. Release the control button. The process is complete when the status LED indicator turns green. The product has been reset to the factory default settings. If no DHCP server is available on the network, the default IP address is 192 . 168 . 0 . 90
5. Using the installation and management software tools, assign an IP address, set the password, and access the video stream.

Note

To reset a single channel to the original factory default settings, use the button provided in that product's webpage.

It is also possible to reset parameters to factory default via the web interface. Go to **Setup > System Options > Maintenance** and click **Default**.

Further information

- For the latest version of this document, see www.axis.com
- The user manual is available at www.axis.com
- To check if there is updated firmware available for your product, see www.axis.com/support
- For useful online trainings and webinars, see www.axis.com/academy

Warranty Information

For information about Axis' product warranty and thereto related information, see www.axis.com/warranty/

Informations sur la sécurité

Lisez attentivement ce guide d'installation avant d'installer l'appareil. Conservez le guide d'installation pour toute référence ultérieure.

Niveaux de risques

⚠ DANGER

Indique une situation dangereuse qui, si elle n'est pas évitée, entraînera le décès ou des blessures graves.

⚠ AVERTISSEMENT

Indique une situation dangereuse qui, si elle n'est pas évitée, pourrait entraîner le décès ou des blessures graves.

⚠ ATTENTION

Indique une situation dangereuse qui, si elle n'est pas évitée, pourrait entraîner des blessures légères ou modérées.

AVIS

Indique une situation qui, si elle n'est pas évitée, pourrait endommager l'appareil.

Autres niveaux de message

Important

Indique les informations importantes, nécessaires pour assurer le bon fonctionnement de l'appareil.

Note

Indique les informations utiles qui permettront d'obtenir le fonctionnement optimal de l'appareil.

Consignes de sécurité

AVIS

- Le produit Axis doit être utilisé conformément aux lois et réglementations locales en vigueur.
- Pour pouvoir utiliser le produit Axis à l'extérieur, ou dans des environnements similaires, il doit être installé dans un boîtier d'extérieur homologué.
- Conserver ce produit Axis dans un environnement sec et ventilé.
- Ne pas exposer ce produit Axis aux chocs ou aux fortes pressions.
- Ne pas installer ce produit sur des poteaux, supports, surfaces ou murs instables.
- Utiliser uniquement des outils recommandés pour l'installation de l'appareil Axis. L'application d'une force excessive sur l'appareil avec des outils puissants pourrait l'endommager.
- Ne pas utiliser de produits chimiques, de substances caustiques ou de nettoyeurs pressurisés.
- Utiliser un chiffon propre imbibé d'eau pure pour le nettoyage.
- Utiliser uniquement des accessoires conformes aux caractéristiques techniques du produit. Ils peuvent être fournis par Axis ou un tiers.
- Utiliser uniquement les pièces de rechange fournies ou recommandées par Axis.
- Ne pas essayer de réparer vous-même ce produit. Contacter l'assistance technique d'Axis ou votre revendeur Axis pour des problèmes liés à l'entretien.

Transport

AVIS

- Lors du transport du produit Axis, utilisez l'emballage d'origine ou un équivalent pour éviter d'endommager le produit.

Batterie

Le produit Axis utilise une batterie au lithium BR2032 3,0 V comme alimentation de son horloge en temps réel interne (RTC). Dans des conditions normales, cette batterie a une durée de vie minimale de cinq ans.

Si la batterie est faible, le fonctionnement de l'horloge en temps réel peut être affecté et entraîner sa réinitialisation à chaque mise sous tension. Un message enregistré apparaît dans le rapport de serveur du produit lorsque la batterie doit être remplacée. Pour tout complément d'information concernant le rapport de serveur, reportez-vous aux pages de Configuration du produit ou contactez l'assistance technique d'Axis.

La batterie doit être remplacée uniquement en cas de besoin, et pour ce faire, contactez l'assistance technique d'Axis à l'adresse www.axis.com/techsup et obtenir de l'aide.

Les piles boutons 3,0 V au lithium contiennent du 1,2-diméthoxyéthane, éthylène glycol diméthyl éther (EGDME), CAS N° 110-71-4.

⚠ AVERTISSEMENT

- Risque d'explosion si la batterie est remplacée de façon incorrecte.
- Remplacez-la uniquement par une batterie identique ou une batterie recommandée par Axis.
- Mettez au rebut les batteries usagées conformément aux réglementations locales ou aux instructions du fabricant de la batterie.

Guide d'installation

Ce guide d'installation vous explique comment installer l'unité principale AXIS F44 à double entrée audio sur votre réseau. Pour toute autre information relative à l'utilisation du produit, consultez le manuel de l'utilisateur disponible sur le site www.axis.com

Procédures d'installation

1. Assurez-vous que les outils et autres matériels nécessaires à l'installation sont inclus dans l'emballage. Cf. *page 29*.
2. Consultez la description du matériel. Cf. *page 30*.
3. Étudiez les caractéristiques. Cf. *page 36*.
4. Installez le matériel. Cf. *page 42*.
5. Utilisez le produit. Cf. *page 43*.

Contenu de l'emballage

- Unité principale AXIS F44 à double entrée audio
- Adaptateur stéréo-mono
- Connecteur d'alimentation à 2 broches
- Connecteur d'alimentation E/S à 6 broches
- Connecteur d'alimentation RS232 à 5 broches
- Documents imprimés
 - Guide d'installation (ce document)
 - Étiquette supplémentaire de numéro de série (x2)
 - Clé d'authentification AVHS

Outils recommandés

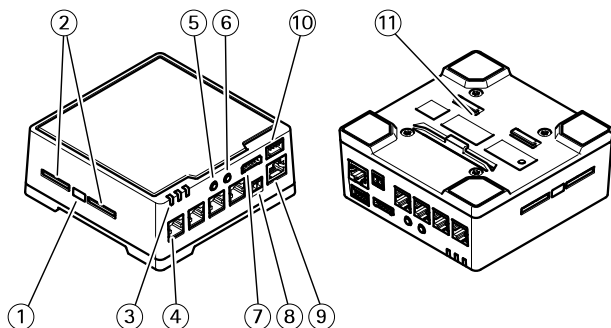
- Tournevis Torx T20 pour retirer le couvercle inférieur en plastique

Accessoires en option

- Montage en surface AXIS F8001 avec réducteur de tension
- Clip pour rail DIN AXIS F8002

Pour plus d'informations sur les accessoires disponibles, consultez le site www.axis.com

Aperçu du matériel



1. *Bouton de commande*
2. *Emplacements pour carte SD*
3. *DEL (alimentation, réseau, état)*
4. *Connecteur RJ12 (4x)*
5. *Entrée audio*
6. *Sortie audio*
7. *Connecteur E/S*
8. *Connecteur d'alimentation*
9. *Connecteur réseau (PoE)*
10. *Connecteur RS232*
11. *Plateau inférieur en plastique*

Raccourcir le câble du capteur

Note

- Le câble du capteur ne peut pas être allongé ou séparé.
- Lors de l'acheminement du câble du capteur, le rayon de courbure minimum est de 40 mm.

Le capteur est fourni avec un câble. Pour raccourcir ce câble, procédez comme suit :

1. Coupez le câble à la longueur souhaitée. Prenez la mesure à partir du capteur.
2. Dénudez l'enrobage plastique de l'extrémité du câble.
3. Retirez le blindage.
4. Aplatissez l'ensemble des fils colorés dans l'ordre décrit ci-dessous.

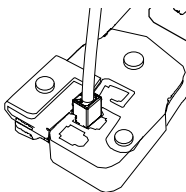
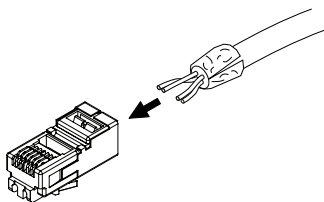
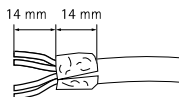
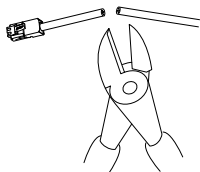
1	Marron
2	Blanc/marron
3	Non utilisé
4	Non utilisé
5	Blanc/bleu
6	Bleu

5. Insérez entièrement les fils dans un connecteur 6P6C RJ12 blindé.

AVIS

Assurez-vous que les fils restent dans l'ordre correct et que le blindage du câble offre un bon contact avec le blindage du connecteur.

- Utilisez un outil de sertissage pour fixer le connecteur sur le câble.



Voyants

Note

- Le voyant d'état peut être éteint pendant le fonctionnement normal. Pour ce faire, rendez-vous dans **Setup > System Options > Ports & Devices > LED (Configuration > Options système > Ports et dispositifs > DEL)**. Consultez l'aide en ligne pour plus d'informations.
- Le voyant d'état peut clignoter lorsqu'un événement est actif.

- Le voyant d'état peut clignoter pendant l'identification de l'appareil. Rendez-vous dans **Setup > System Options > Maintenance (Configuration > Options du système > Maintenance)**.

Voyant d'état	Indication
Vert	Vert fixe en cas de fonctionnement normal.
Orange	Fixe pendant le démarrage. Clignote lors de la restauration des paramètres.

Note

Le voyant de réseau peut être désactivé afin qu'il ne clignote pas en cas de trafic réseau. Pour ce faire, rendez-vous dans **Setup > System Options > Ports & Devices > LED (Configuration > Options système > Ports et dispositifs > DEL)**. Consultez l'aide en ligne pour plus d'informations.

Voyant DEL réseau	Indication
Vert	Fixe en cas de connexion à un réseau de 100 Mbits/s. Clignote en cas d'activité réseau.
Orange	Fixe en cas de connexion à un réseau de 10 Mbits/s. Clignote en cas d'activité réseau.
Éteint	Pas de connexion réseau.

Voyant d'alimentation	Indication
Vert	Fonctionnement normal.
Orange	Le voyant vert/orange clignote pendant la mise à niveau du microprogramme.

Connecteurs et boutons

Pour les caractéristiques et les conditions d'utilisation, consultez *page 36*.

Connecteur réseau

Connecteur Ethernet RJ45 avec l'alimentation par Ethernet (PoE).

AVIS

Le produit doit être connecté à l'aide d'un câble réseau blindé (STP). Tous les câbles reliant le produit au commutateur réseau doivent être destinés à leur usage spécifique. Assurez-vous que les périphériques réseau sont installés conformément aux instructions du fabricant. Pour plus d'informations sur les exigences réglementaires, consultez *Electromagnetic Compatibility (EMC) 2*.

Connecteur d'E/S

Utilisez-le avec des périphériques externes associés aux applications telles que les alarmes de détérioration, la détection de mouvement, le déclenchement d'événements, l'enregistrement à intervalles et les notifications d'alarme. En plus du point de référence 0 V CC et de l'alimentation (sortie CC), le connecteur d'E/S fournit une interface aux éléments suivants :

- **Sortie numérique** – Permet de connecter des dispositifs externes, comme des relais ou des voyants. Les appareils connectés peuvent être activés par l'interface de programmation VAPIX®, des boutons de sortie sur la page Live View (Vidéo en direct) ou par une règle d'action. La sortie est

considérée comme étant active (comme indiqué dans **System Options > Ports & Devices (Options du système > Ports et dispositifs)**) si le dispositif d'alarme est activé.

- **Entrée numérique** – Entrée d'alarme utilisée pour connecter des dispositifs pouvant passer d'un circuit ouvert à un circuit fermé, par exemple : détecteurs infrarouge passifs, contacts de porte/fenêtre, détecteurs de bris de verre, etc. À la réception d'un signal, l'état change et l'entrée s'active (sous **System Options > Ports & Devices (Options du système > Ports et dispositifs)**).

Connecteur d'alimentation

Bloc terminal à 2 broches pour l'alimentation. Utilisez une source d'alimentation limitée (LPS) conforme aux exigences de Très basse tension de sécurité (TBTS) dont la puissance de sortie nominale est limitée à ≤ 100 W ou dont le courant de sortie nominal est limité à ≤ 5 A.

Connecteur audio

Le produit Axis dispose des connecteurs audio suivants :

- **Entrée audio** – entrée de 3,5 mm pour deux microphones mono ou deux signaux d'entrée mono (à l'aide de l'adaptateur stéréo-mono fourni).
- **Sortie audio** – sortie de 3,5 mm (niveau de ligne) qui peut être connectée à un système de sonorisation ou à un haut-parleur actif avec amplificateur intégré. Un connecteur stéréo doit être utilisé pour la sortie audio.

Connecteur RS232

Bloc terminal à 5 broches pour l'interface de série RS232 utilisée pour contrôler le matériel auxiliaire.

Connecteur RJ12

Le connecteur RJ12 est utilisé pour connecter le capteur à l'unité principale. Pour plus d'informations sur la façon de raccourcir le câble du capteur, reportez-vous à *Raccourcir le câble du capteur page 31*.

Emplacement pour carte SD

AVIS

- La carte SD risque d'être endommagée. Ne pas utiliser d'outils tranchants ou d'objets métalliques et ne pas forcer lors de l'insertion ou du retrait de la carte SD. Utilisez vos doigts pour insérer et retirer la carte.
- Risque de perte de données et d'enregistrements corrompus. Ne retirez pas la carte SD tant que le produit est en fonctionnement. Débranchez ou déposez la carte SD des pages Web du produit AXIS avant de la retirer.

Cet appareil est compatible avec une carte SD/SDHC/SDXC (non incluse).

Pour obtenir des conseils sur la carte SD, rendez-vous sur www.axis.com

Bouton de commande

Pour connaître l'emplacement du bouton de commande, consultez *Aperçu du matériel page 30*.

Le bouton de commande permet de réaliser les opérations suivantes :

- Réinitialisation du produit aux paramètres d'usine par défaut. Cf. *page 43*.
- Connexion au service du Système d'hébergement vidéo AXIS ou au service AXIS Internet Dynamic DNS. Pour plus d'informations sur ces services, reportez-vous au Manuel de l'utilisateur.

Caractéristiques techniques

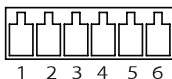
Le produit Axis est uniquement destiné à une utilisation en intérieur.

Classification	Température	Humidité
IEC/EN 60529	De -30°C à 60°C (-22°F à 140°F)	Humidité relative de 10 à 85 % (sans condensation)

Connecteurs

Connecteur d'E/S

Bloc terminal à 6 broches



Pour un exemple de schéma, consultez *Schémas de connexion* page 41.

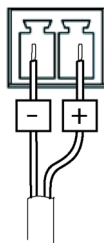
Fonction	Broche	Notes	Caractéristiques
0 V CC (-)	1		0 V CC
Sortie CC	2	Peut servir à alimenter le matériel auxiliaire. Remarque : cette broche ne peut être utilisée que comme sortie d'alimentation.	12 V CC Charge max. = 50 mA

AXIS F44 Dual Audio Input

Configurable (entrée ou sortie)	3-6	Entrée numérique - Connectez-la à la broche 1 pour l'activer ou laissez-la flotter (déconnectée) pour la désactiver.	0 à 30 V CC max.
		Sortie numérique - Connectée à la broche 1 lorsqu'elle est activée, flotte (déconnectée) lorsqu'elle est désactivée. Si vous l'utilisez avec une charge inductive, par exemple un relais, une diode doit être connectée en parallèle avec la charge, en guise de protection contre les tensions transitoires.	0 à 30 V CC max., drain ouvert, 100 mA

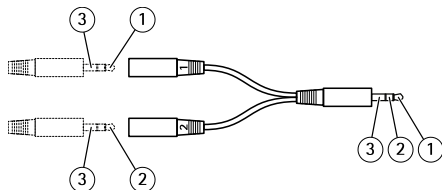
Connecteur d'alimentation

Bloc terminal à 2 broches pour l'alimentation CC. Utilisez une source d'alimentation limitée (LPS) conforme aux exigences de Très basse tension de sécurité (TBTS) dont la puissance de sortie nominale est limitée à ≤ 100 W ou dont le courant de sortie nominal est limité à ≤ 5 A.



Connecteur audio

Entrée : Connecteurs audio 3,5 mm (stéréo)



1	2	3
Audio 1	Audio 2	Masse
Entrée micro/ligne	Entrée micro/ligne	

Sortie : Connecteurs audio 3,5 mm (stéréo)



1 Pointe	2 Anneau	3 Manchon
Sortie ligne (mono)		Masse

Connecteur RS232

Bloc terminal à 5 broches pour l'interface de série RS232 utilisée pour contrôler le matériel auxiliaire. Afin d'utiliser le port RS232, une application tierce pour la plate-forme d'applications pour caméras AXIS est requise. Le port peut être utilisé avec les modes suivants :

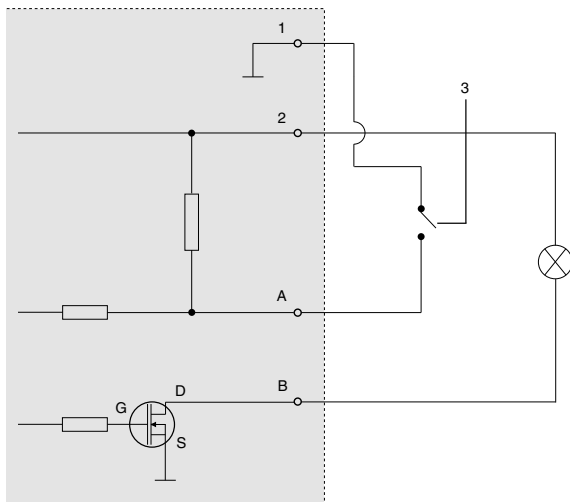
AXIS F44 Dual Audio Input

- Interface 2TX/2RX RS-232 (TXD, RTS, GND, CTS, RXD)

Fonction	Broche	Remarques
RS232 TD	1	Sortie de pilote RS232
RS232 RTS	2	
RS232 GND	3	Masse
RS232 CTS	4	Entrée de récepteur RS232
RS232 RD	5	

Schémas de connexion

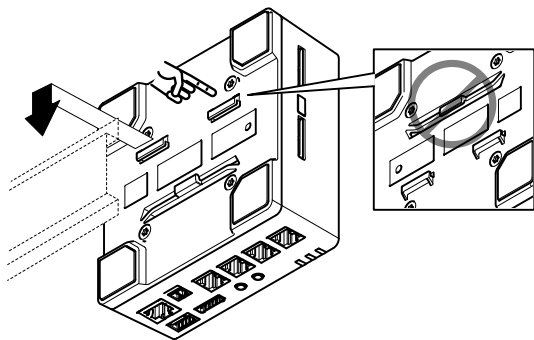
Connecteur d'E/S



- 1 0 V CC (-)
- 2 Sortie CC 12 V, maxi. 50 mA
- 3 Exemple : bouton-poussoir
- A Entrée/sortie configurée comme entrée
- B Entrée/sortie configurée comme sortie

Installation du matériel

L'unité principale peut être placée sur un bureau ou montée sur un rail DIN. Pour faciliter l'acheminement des câbles du haut vers le côté, retirez les 4 vis (Torx T20) et réalignez convenablement la plaque inférieure sous l'appareil (reportez-vous à *Aperçu du matériel page 30*). Pour la liste des accessoires en option, consultez www.axis.com.



1. Si nécessaire, appuyez pour faire sortir la carte SD factice et insérez une carte mémoire SD dans l'emplacement prévu pour cartes mémoire SD.
2. Reliez le câble réseau pour connecter l'unité principale au réseau.
3. Connectez le capteur à l'unité principale à l'aide du câble RJ12.
4. Si nécessaire, connectez un bloc d'alimentation CA/CC au connecteur d'alimentation.
5. Si nécessaire, fixez le câble E/S audio à l'aide du bloc de connexion à 6 broches pour connecter des appareils d'entrée/de sortie externes.

6. Si nécessaire, reliez les câbles audio pour raccorder un haut-parleur/microphone externe actif.
7. Si nécessaire, reliez le câble RS232 pour connecter les équipements auxiliaires.

Utilisez le produit

Si vous souhaitez rechercher des produits Axis sur le réseau ou leur affecter des adresses IP sous Windows®, nous recommandons l'utilisation des applications AXIS IP Utility et AXIS Camera Management. Ces deux applications sont gratuites et peuvent être téléchargées depuis www.axis.com/techsup

Le produit peut être utilisé avec la plupart des systèmes d'exploitation et des navigateurs. Nous recommandons les navigateurs suivants :

- Internet Explorer® avec Windows®,
- Safari® avec OS X®
- Chrome™ ou Firefox® avec les autres systèmes d'exploitation.

Pour plus d'informations concernant l'utilisation du produit, consultez le manuel de l'utilisateur disponible sur le site www.axis.com

Réinitialisation aux paramètres d'usine par défaut

Important

La réinitialisation aux paramètres par défaut doit être utilisée avec prudence. Cette opération reconfigure tous les paramètres, y compris l'adresse IP, aux valeurs d'usine par défaut.

Note

Les logiciels d'installation et de gestion sont disponibles sur les pages d'assistance du site www.axis.com/techsup

Pour les produits ayant plusieurs adresses IP, le canal 1 aura l'adresse 192 . 168 . 0 . 90, le canal 2 aura l'adresse 192 . 168 . 0 . 91, etc.

Pour réinitialiser l'appareil aux paramètres d'usine par défaut :

1. Déconnectez l'alimentation de l'appareil.
2. Maintenez le bouton de commande enfoncé et remettez l'appareil sous tension. Consultez *Aperçu du matériel* page 30.
3. Maintenez le bouton de commande enfoncé pendant 15 à 30 secondes, jusqu'à ce que le voyant d'état passe à l'orange et clignote.
4. Relâchez le bouton de commande. Le processus est terminé lorsque le voyant d'état passe au vert. Les paramètres d'usine par défaut de l'appareil ont été rétablis. En l'absence d'un serveur DHCP sur le réseau, l'adresse IP par défaut est 192.168.0.90.
5. Utilisez les outils d'installation et de gestion pour attribuer une adresse IP, configurer le mot de passe et accéder au flux de données vidéo.

Note

Pour rétablir les valeurs d'usine par défaut sur un seul canal, utilisez le bouton fourni dans la page Web du produit.

Il est également possible de rétablir les paramètres d'usine à partir de l'interface Web. Accédez à **Setup > System Options > Maintenance (Configuration > Options du système > Maintenance)** et cliquez sur **Default (Défaut)**.

Informations complémentaires

- Pour la dernière version de ce document, consultez le site www.axis.com
- Le Manuel de l'utilisateur est disponible à l'adresse suivante : www.axis.com
- Pour vérifier si des mises à jour des logiciels sont disponibles pour votre appareil réseau, consultez le site www.axis.com/techsup.
- Pour en savoir plus sur les formations, les webinaires, les tutoriels et les guides, visitez le site www.axis.com/academy.

Informations sur la garantie

Pour obtenir de plus amples informations sur la garantie du produit AXIS et des renseignements connexes, allez sur le site www.axis.com/warranty/

Sicherheitsinformation

Lesen Sie das Installationshandbuch sorgfältig durch bevor sie das Produkt installieren. Bewahren Sie das Installationshandbuch für zukünftige Zwecke auf.

Gefährdungsstufen

⚠ GEFAHR

Weist auf eine gefährliche Situation hin, welche, falls nicht verhindert, zu Tod oder schweren Verletzungen führt.

⚠ WARNUNG

Weist auf eine gefährliche Situation hin, welche, falls nicht verhindert, zu Tod oder schweren Verletzungen führen kann.

⚠ VORSICHT

Weist auf eine gefährliche Situation hin, welche, falls nicht verhindert, zu geringfügiger oder mäßiger Verletzung führen kann.

HINWEIS

Weist auf eine gefährliche Situation hin, welche, falls nicht verhindert, zu Sachschäden führen kann.

Weitere Nachrichtenstufen

Wichtig

Weist auf wichtige Informationen hin, die den richtigen Betrieb des Produkts gewährleisten.

Beachten

Weist auf nützliche Informationen hin, die die optimale Verwendung des Produkts unterstützen.

Sicherheitsanweisungen

HINWEIS

- Die Anwendung des Axis Produkts muss unter Beachtung der örtlich geltenden rechtlichen Bestimmungen erfolgen.
- Bei der Anwendung von Axis Produkten im Außenbereich oder ähnlichen Umgebungen, müssen diese in zugelassenen Außengehäusen installiert werden.
- Lagern Sie das Axis Produkt in einer trockenen und belüfteten Umgebung.
- Achten Sie darauf, dass das Axis Produkt weder Stößen noch starkem Druck ausgesetzt ist.
- Installieren Sie das Produkt nicht an instabilen Masten, Halterungen, Oberflächen oder Wänden.
- Verwenden Sie bei der Installation des Axis Produkts ausschließlich passende Werkzeuge. Ein zu großer Kraftaufwand mit elektrischen Werkzeugen kann das Produkt beschädigen.
- Verwenden Sie keine chemischen, ätzenden oder aerosolhaltigen Reinigungsmittel.
- Verwenden Sie zum Reinigen ein sauberes, mit destilliertem Wasser angefeuchtetes Tuch.
- Verwenden Sie nur Zubehör, das den technischen Daten des Produkts entspricht. Dieses ist von Axis oder Drittanbietern erhältlich.
- Verwenden Sie ausschließlich Ersatzteile die von Axis bereitgestellt oder empfohlen werden.
- Versuchen Sie nicht, das Produkt selbstständig zu reparieren. Wenden Sie sich bezüglich Reparatur und Wartung an den Axis Support oder Ihren Axis Händler.

Transport

HINWEIS

- Bei Bedarf transportieren Sie das Axis Produkt in der Originalverpackung oder einer entsprechenden Verpackung, so dass Schäden vermieden werden.

Batterie

Das Axis-Produkt ist mit einer 3,0 V-BR2032-Lithium-Batterie ausgestattet, mit der die interne Echtzeituhr (RTC) versorgt wird. Unter normalen Bedingungen hat die Batterie eine Lebensdauer von mindestens fünf Jahren.

Bei entladener Batterie ist der Betrieb der Echtzeituhr nicht mehr gewährleistet, sodass die Uhr bei jedem Systemstart zurückgesetzt wird. Sie erhalten eine Protokollnachricht im Serverbericht des Produkts, wenn ein Batteriewechsel erforderlich ist. Weitere Informationen über den Serverbericht finden Sie auf den Setup-Seiten des Produkts, oder wenden Sie sich an den Axis Support.

Die Batterie sollte nur bei Bedarf ersetzt werden. Wenden Sie sich in diesem Fall an den Axis Support unter www.axis.com/techsup.

Lithium-Knopfzellen (3,0 V) enthalten 1,2-Dimethoxyethan; Ethylenglycoldimethylether (EGDME), CAS-Nr. 110-71-4.

⚠️ WARNUNG

- Explosionsgefahr bei fehlerhaftem Batteriewechsel.
- Die Batterie darf nur durch eine identische Batterie oder eine von Axis empfohlene Batterie ersetzt werden.
- Verbrauchte Batterien sind gemäß den örtlichen Vorschriften oder den Anweisungen des Herstellers zu entsorgen.

Installationsanleitung

In dieser Anleitung wird die Installation der AXIS F44-Haupteinheit mit zwei Audioeingängen im Netzwerk beschrieben. Weitere Informationen zur Nutzung dieses Produkts finden Sie im Benutzerhandbuch unter www.axis.com.

Installationsschritte

1. Stellen Sie sicher, dass die Packungsinhalte, Werkzeuge und andere notwendige Materialien für die Installation in Ordnung sind. Siehe *Seite 51*.
2. Machen Sie sich mit der Hardware-Übersicht vertraut. Siehe *Seite 52*.
3. Machen Sie sich mit den technischen Daten vertraut. Siehe *Seite 59*.
4. Installieren Sie die Hardware. Siehe *Seite 64*.
5. Greifen Sie auf das Produkt zu. Siehe *Seite 65*.

Lieferumfang

- AXIS F44-Haupteinheit mit zwei Audioeingängen
- Stereo-auf-Mono-Adapter
- 2-poliger Anschlussblock für die Stromversorgung
- 6-poliger E/A-Anschlussblock
- 5-poliger RS232-Anschlussblock
- Gedruckte Dokumente
 - Installationsanleitung (dieses Dokument)
 - Zusätzliche Etiketten mit der Seriennummer (2 x)
 - AVHS-Authentifizierungsschlüssel

Empfohlene Werkzeuge

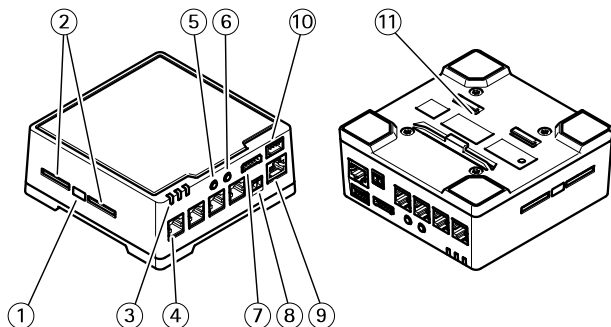
- Torx T20-Schraubendreher zum Entfernen der unteren Kunststoffabdeckung

Optionales Zubehör

- AXIS F8001 Oberflächenmontage mit Zugentlastung
- AXIS F8002 DIN-Schienenhalterung

Unter www.axis.com finden Sie Informationen über verfügbares Zubehör.

Übersicht über die Hardware



1. *Steuertaste*
2. *SD-Karteneinschübe*
3. *LEDs (Stromversorgung, Status, Netzwerk)*
4. *RJ12-Anschluss (4x)*
5. *Audioeingang*
6. *Audioausgang*
7. *E/A-Anschluss*
8. *Netzanschluss*

9. *Netzwerkanschluss (PoE)*
10. *RS232-Anschluss*
11. *Bodenplatte aus Kunststoff*

Kürzen des Kabels der Sensoreinheit

Beachten

- Das Kabel der Sensoreinheit kann nicht verlängert oder geteilt werden.
- Bei der Führung des Kabels der Sensoreinheit beträgt der Mindestbiegungsradius 40 mm.

Im Lieferumfang der Sensoreinheit ist ein Kabel enthalten. Kürzen Sie das Kabel anhand folgender Schritte:

1. Schneiden Sie das Kabel auf die gewünschte Länge. Messen Sie die Länge ab der Sensoreinheit.
2. Entfernen Sie die Kunststoffbeschichtung vom Kabelende.
3. Ziehen Sie die Abdeckung ab.
4. Sortieren Sie die Kabel in folgender Reihenfolge:

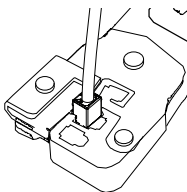
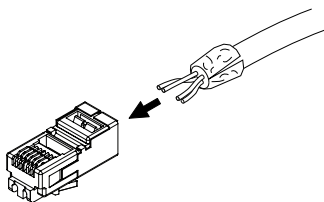
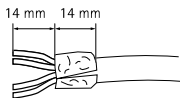
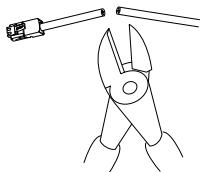
1	Braun
2	Weiß/Braun
3	Nicht verwendet
4	Nicht verwendet
5	Weiß/Blau
6	Blau

5. Führen Sie die Kabel vollständig in einen abgeschirmten 6P6C RJ12-Stecker ein.

HINWEIS

Stellen Sie sicher, dass die Kabel in der richtigen Reihenfolge bleiben und die Kabelabdeckung mit der Steckerabschirmung fest verbunden ist.

6. Befestigen Sie den Stecker mithilfe eines Crimpwerkzeugs am Kabel.



LEDs

Beachten

- Die Status-LED kann so eingestellt werden, dass sie während des Normalbetriebs nicht leuchtet. Diese Konfiguration können Sie unter **Setup > System Options > Anschlüsse & Devices > LED (Setup > Systemoptionen > Anschlüsse & Geräte > LED)** einstellen. Weitere Informationen finden Sie in der Online-Hilfe.

- Die Status-LED kann so eingestellt werden, dass sie blinkt, wenn ein Ereignis aktiv ist.
- Die Status-LED kann so eingestellt werden, dass sie blinkt, wenn die Einheit erkannt wird. Rufen Sie **Setup > System Options > Maintenance (Setup > Systemoptionen > Wartung)** auf.

Status-LED	Bedeutung
Grün	Leuchtet bei Normalbetrieb grün.
Gelb	Leuchtet beim Start. Blinkt beim Wiederherstellen der Einstellungen.

Beachten

Die Netzwerk-LED kann deaktiviert werden, sodass Sie bei Datenverkehr über das Netzwerk nicht blinkt. Diese Konfiguration können Sie unter **Setup > System Options > Anschlüsse & Devices > LED (Setup > Systemoptionen > Anschlüsse & Geräte > LED)** einstellen. Weitere Informationen finden Sie in der Online-Hilfe.

Netzwerk-LED	Bedeutung
Grün	Leuchtet bei Verbindung mit einem 100 MBit/s-Netzwerk. Blinkt bei Netzwerkaktivität.
Gelb	Leuchtet bei Verbindung mit einem 10 MBit/s-Netzwerk. Blinkt bei Netzwerkaktivität.
Leuchtet nicht	Keine Netzwerkverbindung vorhanden.

Netz-LED	Bedeutung
Grün	Normaler Betrieb.
Gelb	Blinkt grün/gelb bei der Firmware-Aktualisierung.

Anschlüsse und Tasten

Für die technischen Daten und Betriebsbedingungen siehe *Seite 59*.

Netzwerkanschluss

RJ45-Ethernetanschluss mit Power over Ethernet (PoE).

HINWEIS

Das Produkt muss mit einem abgeschirmten Netzwerkkabel (STP) angeschlossen werden. Alle Kabel, die das Produkt mit dem Netzwerkschwitch verbinden, müssen hierfür ausgelegt sein. Stellen Sie sicher, dass die Netzwerkgeräte gemäß den Anweisungen des Herstellers installiert wurden. Informationen zu gesetzlichen Bestimmungen finden Sie unter *Electromagnetic Compatibility (EMC) 2*.

E/A-Anschluss

Zur Verwendung mit externen Geräten in Verbindung mit Manipulationsalarmen, Bewegungserkennung, Ereignisauslösung, Zeitrafferaufnahmen, Alarmbenachrichtigungen usw. Abgesehen vom 0 V DC-Bezugspunkt und einer Stromquelle (Gleichstromausgang) verfügt die E/A-Klemmenleiste über eine Schnittstelle zu:

- **Digitalausgang** – Zum Anschluss externer Geräte wie Relais und LEDs. Angeschlossene Geräte können über die VAPIX® Application Programming Interface (Programmierschnittstelle) über die Schaltflächen für den Ausgang auf der Seite „Live View“ oder durch eine Aktionsregel aktiviert werden. Der Ausgang wird als aktiv (siehe **System Options > Ports**

Et Devices (Systemoptionen > Anschlüsse und Geräte)) angezeigt, wenn das Alarmmeldegerät aktiviert ist.

- **Digitaleingang** – Alarmeingang für den Anschluss von Geräten, die zwischen geöffnetem und geschlossenem Schaltkreis wechseln können, z. B.: PIR-Sensoren, Tür-/Fensterkontakte, Glasbruchmelder usw. Bei Empfang eines Signals ändert sich der Status und der Eingang wird aktiviert (siehe System Options > Ports Et Devices (Systemoptionen > Anschlüsse Et Geräte)).

Netzanschluss

2-poliger Anschlussblock für die Stromversorgung. Verwenden Sie eine mit den Anforderungen für Schutzkleinspannung (SELV) kompatible Stromquelle mit begrenzter Leistung (LPS) mit einer Nennausgangsleistung von ≤ 100 W oder einem dauerhaft auf ≤ 5 A begrenzten Nennausgangsstrom.

Audioanschlüsse

Das Axis Produkt ist mit den folgenden Audioanschlüssen ausgestattet:

- **Audioeingang** – 3,5-mm-Anschluss für zwei Monomikrofone oder zwei Monosignale (in Kombination mit dem mitgelieferten Stereo-auf-Mono-Adapter).
- **Audioausgang** – 3,5-mm-Anschluss (Leitungspegel) für eine Beschallungsanlage (PA) oder einen Aktivlautsprecher mit integriertem Verstärker. Für den Audioausgang muss ein Stereostecker verwendet werden.

RS232-Anschluss

5-poliger Anschlussblock für die serielle Schnittstelle vom Typ RS232 zur Steuerung von Zusatzgeräten. Zur Verwendung des RS232-Ports ist eine Drittanbieter-Anwendung für AXIS Camera Application Platform erforderlich.

RJ12-Anschluss

Der RJ12-Anschluss ist zum Anschließen der Sensoreinheit an die Haupteinheit vorgesehen. Weitere Informationen zum Kürzen des Kabels der Sensoreinheit finden Sie unter *Kürzen des Kabels der Sensoreinheit auf Seite 53*.

SD-Karteneinschub

HINWEIS

- Gefahr von Schäden an der SD-Karte. Verwenden Sie beim Einlegen oder Entfernen der SD-Karte keine scharfen/spitzen Werkzeuge oder Gegenstände aus Metall und wenden Sie nicht zu viel Kraft an. Setzen Sie die Karte per Hand ein. Das Gleiche gilt für das Entfernen.
- Gefahr von Datenverlust und Beschädigung der Aufnahmen. Die SD-Karte darf nicht entfernt werden, während das Produkt in Betrieb ist. Trennen Sie die Stromversorgung oder deaktivieren Sie die SD-Karte vor dem Entfernen über die Webseiten des Axis Produkts.

Dieses Produkt unterstützt SD-/SDHC-/SDXC-Karten (separat erhältlich).

Empfehlungen zu SD-Karten finden Sie unter www.axis.com.

Steuertaste

Die Steuertaste befindet sich an folgender Stelle: *Übersicht über die Hardware auf Seite 52*.

Die Steuertaste hat folgende Funktionen:

- Zurücksetzen des Produkts auf die Werkseinstellungen. Siehe *Seite 65*.
- Verbinden mit einem AXIS Video Hosting System-Service oder einem AXIS Internet Dynamic DNS-Service. Weitere Informationen zu diesen Diensten finden Sie in der Bedienungsanleitung.

Technische Daten

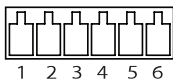
Das Axis Produkt ist für die Verwendung in Innenräumen konzipiert.

Klassifikation	Temperatur	Luftfeuchtigkeit
IEC/EN 60529	-30 °C bis 60 °C	10 bis 85 % rF (nicht kondensierend)

Anschlüsse

E/A-Anschluss

6-poliger Anschlussblock



Ein Beispielschaltbild finden Sie unter *Anschlussschaltbilder* auf Seite 63.

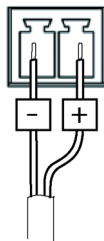
Funktion	Kontakt	Hinweise	Technische Daten
0 V DC (-)	1		0 V DC
Gleichstromausgang	2	Kann für die Stromversorgung von Zusatzgeräten verwendet werden. Hinweis: Dieser Kontakt kann nur für den Stromausgang verwendet werden.	12 V DC Max. Stromstärke = 50 mA

AXIS F44 Dual Audio Input

Konfigurierbar (Ein- oder Ausgang)	3-6	Digitaleingang – zum Aktivieren mit Pin 1 verbinden; zum Deaktivieren nicht anschließen.	0 bis max. 30 V DC
		Digitalausgang – bei Aktivierung mit Pin 1 verbunden; wenn deaktiviert: frei (nicht verbunden). Bei Verwendung mit einer induktiven Last, z. B. einem Relais, muss parallel zur Last zum Schutz vor Spannungsspitzen eine Diode zwischengeschaltet werden.	0 bis max. 30 V DC, Open Drain, 100 mA

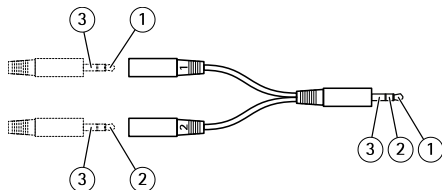
Stromanschluss

2-poliger Anschlussblock für die Gleichstromversorgung. Verwenden Sie eine mit den Anforderungen für Schutzkleinspannung (SELV) kompatible Stromquelle mit begrenzter Leistung (LPS) mit einer Nennausgangsleistung von ≤ 100 W oder einem dauerhaft auf ≤ 5 A begrenzten Nennausgangsstrom.



Audioanschluss

Eingang:
3,5-mm-
Audioanschluss
(Stereo)



1	2	3
Audio 1	Audio 2	Masse
Mikrofon-/Leitungseingang	Mikrofon-/Leitungseingang	

Ausgang:
3,5-mm-
Audioanschluss
(Stereo)



1 Spitze	2 Ring	3 Schaft
Leitungsausgang (Mono)		Masse

RS232-Anschluss

5-poliger Anschlussblock für die serielle Schnittstelle vom Typ RS232 zur Steuerung von Zusatzgeräten. Zur Verwendung des RS232-Ports ist eine Drittanbieter-Anwendung für AXIS Camera Application Platform erforderlich. Der Port kann in den folgenden Modi verwendet werden:

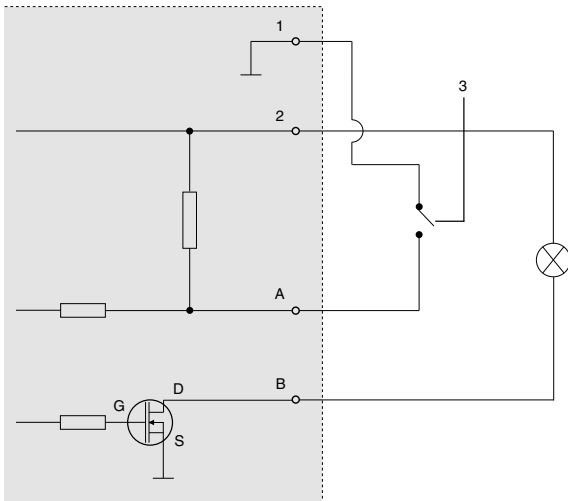
AXIS F44 Dual Audio Input

- 2TX/2RX RS-232-Schnittstelle (TXD, RTS, GND, CTS, RXD)

Funktion	Kontakt	Hinweise
RS232 TD	1	RS232-Treiber-Ausgang
RS232 RTS	2	
RS232 GND	3	Masse
RS232 CTS	4	RS232-Empfänger-Eingang
RS232 RD	5	

Anschlusschaltbilder

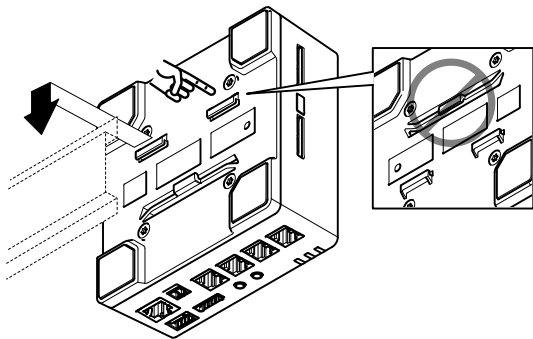
E/A-Anschluss



- 1 0 V (-) DC
- 2 DC-Ausgang 12 V, max. 50 mA
- 3 Beispiel: Drucktaste
- A E/A als Eingang konfiguriert
- B E/A als Ausgang konfiguriert

Installieren der Hardware

Die Haupteinheit kann auf eine Arbeitsfläche gestellt oder an einer DIN-Schiene montiert werden. Entfernen Sie für eine erleichterte Kabelführung von oben oder der Seite die 4 Schrauben (Torx T20) und richten Sie die Bodenplatte unter dem Gerät entsprechend aus (siehe *Übersicht über die Hardware auf Seite 52*). Optionales Zubehör finden Sie unter www.axis.com.



1. Drücken Sie ggf. die SD-Kartenattrappe kurz, um diese auszuwerfen. Setzen Sie eine SD-Speicherkarte in den SD-Speicherkarteneinschub ein.
2. Schließen Sie das Netzkabel an, um die Haupteinheit mit dem Netzwerk zu verbinden.
3. Schließen Sie die Sensoreinheit mit dem RJ12-Kabel an die Haupteinheit an.
4. Schließen Sie ggf. ein Netzteil (Wechselstrom/Gleichstrom) an den Netzanschluss an.
5. Schließen Sie ggf. externe Eingabe-/Ausgabegeräte mithilfe des E/A-Kabels und des 6-poligen E/A-Anschlussblocks an.

6. Schließen Sie ggf. die Audiokabel für Aktivlautsprecher bzw. ein externes Mikrofon an.
7. Schließen Sie ggf. das RS232-Kabel für Zusatzgeräte an.

Zugriff auf das Produkt

Für die Suche nach Axis Produkten im Netzwerk und zur Zuweisung einer IP-Adresse unter Windows® werden AXIS IP Utility und AXIS Camera Management empfohlen. Beide Anwendungen sind kostenlos und können von unserer Website unter www.axis.com/techsup heruntergeladen werden.

Das Produkt ist mit den meisten Betriebssystemen und Browsern kompatibel. Empfohlen werden folgende Browser:

- Internet Explorer® unter Windows®
- Safari® unter OS X®
- Chrome™ oder Firefox® unter anderen Betriebssystemen

Weitere Informationen zur Nutzung dieses Produkts finden Sie im Benutzerhandbuch unter www.axis.com.

Zurücksetzen auf Werkseinstellungen

Wichtig

Das Zurücksetzen auf die Werkseinstellungen sollte mit Vorsicht verwendet werden. Beim Zurücksetzen auf die Werkseinstellungen werden alle Einstellungen einschließlich der IP-Adresse auf die Werkseinstellungen zurückgesetzt.

Beachten

Die Software-Tools für Installation und Verwaltung sind über die Supportseiten unter www.axis.com/techsup verfügbar.

Bei Produkten mit mehreren IP-Adressen wird Kanal 1 die Adresse 192.168.0.90 zugewiesen, Kanal 2 die Adresse 192.168.0.91 usw.

So wird das Produkt auf die werksseitigen Standardeinstellungen zurückgesetzt:

1. Trennen Sie das Produkt von der Stromversorgung.
2. Halten Sie die Steuertaste gedrückt und stecken Sie den Netzstecker wieder ein. Siehe *Übersicht über die Hardware auf Seite 52*.
3. Halten Sie die Steuertaste etwa 15 bis 30 Sekunden gedrückt, bis die LED-Statusanzeige gelb blinkt.
4. Lassen Sie die Steuertaste los. Der Vorgang ist abgeschlossen, wenn die LED-Statusanzeige grün leuchtet. Das Produkt wurde auf die Werkseinstellungen zurückgesetzt. Wenn kein DHCP-Server im Netzwerk verfügbar ist, lautet die Standard-IP-Adresse 192.168.0.90.
5. Verwenden Sie die Software-Tools für Installation und Verwaltung, um eine IP-Adresse zuzuweisen, ein Kennwort einzurichten und auf den Videostream zuzugreifen.

Beachten

Um einen einzelnen Kanal auf die werksseitige Standardeinstellung zurückzusetzen, verwenden Sie die auf der Webseite des Produkts angegebene Schaltfläche.

Die Parameter können auch über die Weboberfläche auf die Werkseinstellungen zurückgesetzt werden. Rufen Sie **Setup > System Options > Maintenance (Setup > Systemoptionen > Wartung)** auf und klicken Sie auf **Default (Standard)**.

Weitere Informationen

- Unter www.axis.com finden Sie die aktuelle Version dieses Dokuments.
- Das Benutzerhandbuch steht unter www.axis.com zur Verfügung.
- Unter www.axis.com/support finden Sie Firmware-Aktualisierungen für Ihre Produkte.

- Nützliche Onlineschulungen und Webinare finden Sie unter www.axis.com/academy.

Gewährleistungsinformationen

Informationen zur Gewährleistung der Axis Produkte und andere, hierzu relevante Informationen, finden Sie unter www.axis.com/warranty/

Informazioni di sicurezza

Leggere con attenzione questa guida all'installazione prima di installare il dispositivo. Conservare questo documento per usi futuri.

Livelli di pericolo

⚠ PERICOLO

Indica una situazione pericolosa che, se non evitata, provoca morte o lesioni gravi.

⚠ AVVERTENZA

Indica una situazione pericolosa che, se non evitata, potrebbe provocare la morte o lesioni gravi.

⚠ ATTENZIONE

Indica una situazione pericolosa che, se non evitata, può provocare lesioni medie o minori.

AWISO

Indica una situazione che, se non evitata, può danneggiare la proprietà.

Altri livelli di messaggio

Importante

Indica informazioni importanti, essenziali per il corretto funzionamento del dispositivo.

Nota

Indica informazioni utili che aiutano a ottenere il massimo dal dispositivo.

Informazioni di sicurezza

AWISO

- Il dispositivo Axis deve essere utilizzato in conformità alle leggi e alle disposizioni locali.
- Per utilizzare il dispositivo Axis in ambienti esterni, o in ambienti simili, deve essere installato in una custodia per esterni approvata.
- Conservare il dispositivo Axis in un ambiente asciutto e ventilato.
- Evitare di esporre il dispositivo Axis a urti o pressioni eccessive.
- Non installare il dispositivo su supporti, superfici, pareti o pali instabili.
- Utilizzare solo strumenti applicabili quando si installa il dispositivo Axis. Se si utilizza una forza eccessiva con strumenti non adatti è possibile causare danni al dispositivo.
- Non utilizzare sostanze chimiche, agenti caustici o detergenti aerosol.
- Utilizzare un panno pulito inumidito in acqua pura per la pulizia.
- Utilizzare solo accessori compatibili con le specifiche tecniche del dispositivo. Questi possono essere forniti da Axis o da terze parti.
- Utilizzare solo parti di ricambio fornite o consigliate da Axis.
- Non tentare di riparare il dispositivo da soli. Contattare l'assistenza o il rivenditore Axis per questioni relative alla manutenzione.

Trasporto

AWISO

- Durante il trasporto del dispositivo Axis, utilizzare l'imballaggio originale o equivalente per evitare danni al dispositivo.

Batteria

Il dispositivo Axis utilizza una batteria al litio da 3,0 V BR2032 come alimentazione per il suo real-time clock (RTC) interno. In condizioni normali questa batteria avrà una durata minima di cinque anni.

Una bassa carica della batteria influisce sul funzionamento del RTC, facendolo resettare a ogni accensione. Quando la batteria deve essere sostituita, un messaggio di registro viene visualizzato nel server report del dispositivo. Per ulteriori informazioni sul report server, vedere le pagine di configurazione del dispositivo o contattare l'assistenza Axis.

La batteria non deve essere sostituita se non richiesto, ma nel caso in cui questo fosse necessario, contattare il supporto Axis all'indirizzo www.axis.com/techsup per assistenza.

La batteria a bottone al litio 3,0 V contiene 1,2-dimetossietano; etere dimetilico di glicole etilenico (EGDME), CAS n. 110-71-4.

⚠️ AVVERTENZA

- Rischio di esplosione se la batteria viene sostituita in modo errato.
- Sostituire solo con una batteria identica o una batteria consigliata da Axis.
- Smaltire le batterie usate in base alle normative locali o alle istruzioni del produttore della batteria.

Guida all'installazione

La presente Guida all'installazione fornisce le istruzioni per installare l'unità principale di input audio doppia AXIS F44 nella rete in uso. Per ulteriori informazioni sull'utilizzo del dispositivo, consultare il manuale per l'utente disponibile all'indirizzo www.axis.com

Procedura di installazione

1. Assicurarsi che il contenuto della confezione, gli strumenti e altri materiali necessari per l'installazione siano in ordine. Consultare *pagina 73*.
2. Studiare la descrizione dell'hardware. Consultare *pagina 74*.
3. Studiare le specifiche. Consultare *pagina 80*.
4. Installare l'hardware. Consultare *pagina 86*.
5. Accedere al dispositivo. Consultare *pagina 87*.

Contenuto della confezione

- Unità principale di input audio doppia AXIS F44
- Adattatore da stereo a mono
- Morsettiera di alimentazione a 2 pin
- Morsettiera I/O a 6 pin
- Morsettiera RS232 a 5 pin
- Materiale cartaceo
 - Guida all'installazione (questo documento)
 - Etichetta aggiuntiva con numero di serie (2)
 - Chiave di autenticazione AVHS

Strumenti consigliati

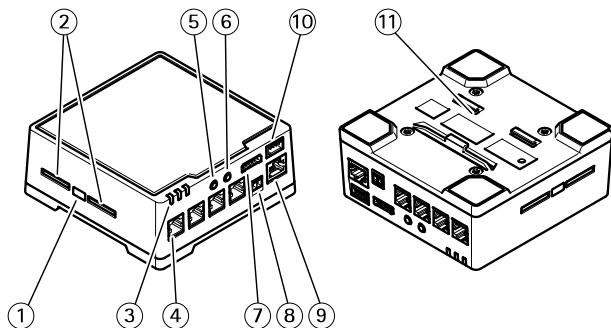
- Cacciavite Torx T20 per la rimozione del coperchio di plastica inferiore

Accessori opzionali

- Montaggio di superficie di AXIS F8001 con dispositivi antistrappo
- Clip per guida DIN AXIS F8002

Visitare il sito Web www.axis.com per informazioni sugli accessori disponibili.

Panoramica dell'hardware



1. Pulsante di comando
2. Slot per scheda di memoria
3. Indicatori LED (alimentazione, stato, rete)
4. 4 connettori RJ12
5. Ingresso audio
6. Uscita audio
7. Connettore I/O
8. Connettore di alimentazione
9. Connettore di rete (PoE)
10. Connettore RS232
11. Piastra inferiore di plastica

Accorciare il cavo dell'unità con sensore

Nota

- Il cavo dell'unità con sensore non può essere esteso o diviso.
- Quando si inserisce il cavo dell'unità con sensore il raggio di minima curvatura è di 40 mm.

L'unità con sensore è dotata di un cavo. Per accorciare il cavo, attenersi alla procedura seguente:

1. Tagliare il cavo della lunghezza desiderata. Eseguire la misurazione dall'unità con sensore.
2. Rimuovere il rivestimento esterno di plastica dall'estremità del cavo.
3. Togliere la schermatura.
4. Appiattire i cavi colorati nell'ordine indicato di seguito.

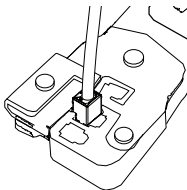
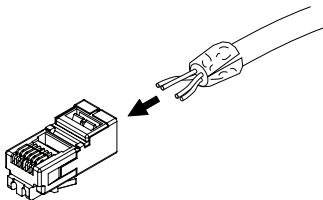
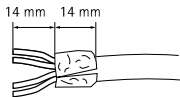
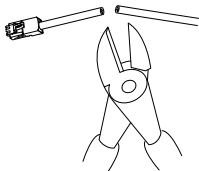
1	Marrone
2	Bianco/marrone
3	Non utilizzato
4	Non utilizzato
5	Bianco/blu
6	Blu

5. Inserire fino in fondo i cavi in un connettore RJ12 6P6C schermato.

AVVISO

Verificare che i cavi siano disposti nell'ordine corretto e che la schermatura del cavo sia a contatto con quella del connettore.

6. Utilizzare una crimpatrice per fissare il connettore al cavo.



Indicatori LED

Nota

- Lo stato del LED può essere configurato per essere spento durante il normale funzionamento. Per configurarlo, selezionare **Setup > System Options > Ports & Devices > LED (Configurazione > Opzioni di sistema > Porte & Dispositivi > LED)**. Per ulteriori informazioni, consultare l'aiuto in linea.
- Il LED di stato può essere configurato per lampeggiare quando un evento è attivo.
- Il LED di stato può essere configurato per lampeggiare per identificare l'unità. Andare su **Setup > System Options > Maintenance (Configurazione > Opzioni di sistema > Manutenzione)**.

LED di stato	Indicazione
Verde	Luce verde fissa: condizioni di normale utilizzo.
Giallo	Luce fissa durante l'avvio. Lampeggia durante il ripristino delle impostazioni.

Nota

Il LED di rete può essere disattivato in modo da non lampeggiare in caso di traffico di rete. Per configurarlo, selezionare **Setup > System Options > Ports & Devices > LED (Configurazione > Opzioni di sistema > Porte & Dispositivi > LED)**. Per ulteriori informazioni, consultare l'aiuto in linea.

LED di rete	Indicazione
Verde	Luce fissa per connessione di rete a 100 Mbit/s. Luce lampeggiante: attività di rete.
Giallo	Luce fissa per connessione di rete a 10 Mbit/s. Luce lampeggiante: attività di rete.
Spento	Assenza di connessione.

LED di alimentazione	Indicazione
Verde	Normale utilizzo.
Giallo	Luce lampeggiante verde/gialla: aggiornamento firmware.

Connettori e pulsanti

Per le specifiche e le condizioni di funzionamento, consultare *pagina 80*.

Connettore di rete

Connettore Ethernet RJ45 con Power over Ethernet (PoE+).

AWISO

Collegare il dispositivo con un cavo di rete schermato (STP). Tutti i cavi che collegano il dispositivo alla rete sono destinati al loro uso specifico. Accertarsi che i dispositivi di rete siano installati secondo le istruzioni del produttore. Per maggiori informazioni sui requisiti normativi, consultare *Electromagnetic Compatibility (EMC) 2*.

Connettore I/O

Utilizzare con dispositivi esterni in combinazione con, ad esempio, allarmi antimanomissione, rilevazione del movimento, attivazione di eventi, registrazione temporizzata e notifiche di allarme. Oltre al punto di riferimento 0 V CC e all'alimentazione (uscita CC), il connettore I/O fornisce l'interfaccia per:

- **Uscita digitale** – Per collegare dispositivi esterni come relè o LED. Le periferiche collegate possono essere attivate tramite VAPIX® API (interfaccia per la programmazione di applicazioni), tramite i pulsanti di comando della pagina Live View (Immagini dal vivo) oppure tramite l'opzione Action Rule (regola di azione). L'uscita verrà visualizzata come attiva (visualizzata in **System Options > Ports & Devices (Opzioni di Sistema > Porte e Dispositivi)**) se il dispositivo di allarme è attivato.
- **Ingresso digitale** – Ingresso allarme utilizzabile per collegare le periferiche, che può passare dal circuito chiuso al circuito aperto, ad esempio: Sensori di movimento (PIR), contatti porta/finestra, rilevatori di rottura vetri e così via. Dopo la ricezione del segnale lo stato cambia e l'ingresso diventa attivo (visualizzato in **System Options > Ports & Devices (Opzioni di Sistema > Porte e Dispositivi)**).

Connettore di alimentazione

Morsettiera a 2 pin per ingresso alimentazione. Utilizzare una sorgente di alimentazione limitata (LPS) compatibile con una bassissima tensione di sicurezza (SELV) con una potenza di uscita nominale limitata a ≤ 100 W o una corrente nominale di uscita limitata a ≤ 5 A.

Connettore audio

Il dispositivo Axis dispone dei seguenti connettori audio:

- **Ingresso audio:** input da 3,5 mm per due microfoni mono o due segnali mono line-in (utilizzare l'adattatore da stereo a mono in dotazione).
- **Uscita audio:** output da 3,5 mm per audio (livello di linea) che è possibile collegare a un sistema di indirizzo pubblico (PA) o a un altoparlante con amplificatore integrato. Per l'uscita audio è necessario utilizzare un connettore stereo.

Connettore RS232

Morsettiera a 5 pin dell'interfaccia seriale RS232 per il controllo di dispositivi ausiliari. Per utilizzare la porta RS232, è necessaria un'applicazione di terze parti per AXIS Camera Application Platform.

Connettore RJ12

Il connettore RJ12 consente di collegare l'unità con sensore all'unità principale. Per informazioni su come ridurre la lunghezza del cavo dell'unità con sensore, consultare *Accorciare il cavo dell'unità con sensore alla pagina 75*.

Slot per scheda SD

AWISO

- Rischio di danni alla scheda SD. Non utilizzare strumenti appuntiti o oggetti metallici e non esercitare eccessiva forza durante l'inserimento o la rimozione della scheda SD. Utilizzare le dita per inserire e rimuovere la scheda.

AXIS F44 Dual Audio Input

- Rischio di perdita di dati e danneggiamento delle registrazioni. Non rimuovere la scheda SD mentre il dispositivo è in funzione. Scollegare l'alimentazione ed effettuare l'unmount della scheda SD dalle pagine Web del dispositivo Axis prima di rimuoverla.

Questo dispositivo supporta schede di memoria SD/SDHC/SDXC (scheda di memoria non inclusa).

Per i consigli sulla scheda SD, visitare il sito Web www.axis.com.

Pulsante di comando

Per l'ubicazione del pulsante di comando, vedere *Panoramica dell'hardware alla pagina 74*.

Il pulsante di comando viene utilizzato per:

- Ripristino del dispositivo alle impostazioni predefinite di fabbrica. Consultare *pagina 87*.
- Collegamento a un servizio AXIS Video Hosting System o AXIS Internet Dynamic DNS Service. Per ulteriori informazioni su questi servizi, consultare il Manuale Utente.

Dati tecnici

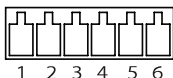
Il dispositivo Axis è destinato all'uso interno.

Classificazione	Temperatura	Umidità
IEC/EN 60529	Da - 30° C a +60 °C	10-85% UR (umidità relativa senza condensa)

Connettori

Connettore I/O

Morsettiera a 6 pin



Per un esempio di schema, consultare *Schema delle connessioni alla pagina 85*.

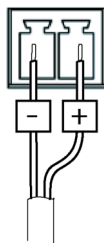
Funzi- one	Pin	Note	Specifiche
0 V CC (-)	1		0 V CC
Uscita CC	2	Consente anche di alimentare una periferica ausiliaria. Nota: questo pin può essere usato solo come uscita alimentazione.	12 V CC Carico massimo= 50 mA

AXIS F44 Dual Audio Input

Con-figurabile (ingresso o uscita)	3-6	Ingresso digitale – Collegare al pin 1 per attivarlo oppure lasciarlo isolato (scollegato) per disattivarlo.	Da 0 a max 30 V CC
		Uscita digitale – Collegare al pin 1 quando attiva, isolata (scollegata) quando inattiva. Se utilizzata con un carico induttivo, ad esempio un relè esterno, è necessario collegare un diodo in parallelo al carico per proteggere il dispositivo da sovratensioni.	Da 0 a max 30 V CC, open-drain, 100 mA

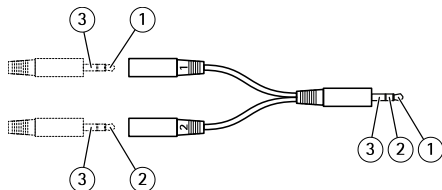
Connettore di alimentazione

Morsetti a 2 pin per ingresso alimentazione CC. Utilizzare una sorgente di alimentazione limitata (LPS) compatibile con una bassissima tensione di sicurezza (SELV) con una potenza di uscita nominale limitata a ≤ 100 W o una corrente nominale di uscita limitata a ≤ 5 A.



Connettore audio

Input:
connettore
audio (stereo)
da 3,5 mm



1	2	3
Audio 1 Ingresso microfono/linea	Audio 2 Ingresso microfono/linea	Massa

Output:
connettore
audio (stereo)
da 3,5 mm



1 Punta	2 Anello	3 Guaina
Uscita linea (mono)		Massa

Connettore RS232

Morsetteria a 5 pin dell'interfaccia seriale RS232 per il controllo di apparecchiature ausiliarie. Per utilizzare la porta RS232, è necessaria un'applicazione di terze parti per Piattaforma applicativa per telecamere AXIS. È possibile utilizzare la porta nelle seguenti modalità:

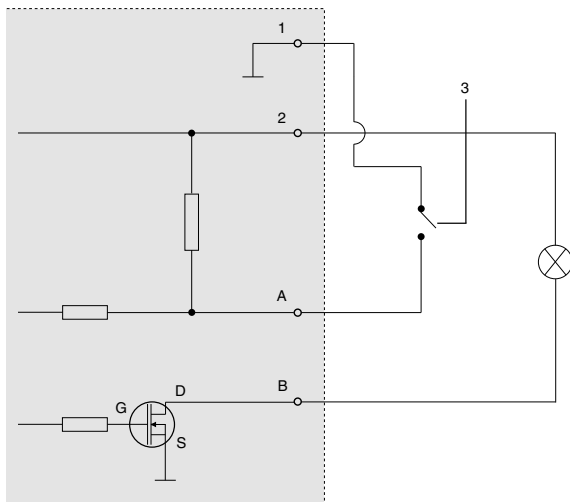
AXIS F44 Dual Audio Input

- Interfaccia RS-232 2TX/2RX (TXD, RTS, GND, CTS, RXD)

Funzione	Pin	Note
RS232 TD	1	Output driver RS232
RS232 RTS	2	
GND RS232	3	Massa
RS232 CTS	4	Input ricevitore RS232
RS232 RD	5	

Schema delle connessioni

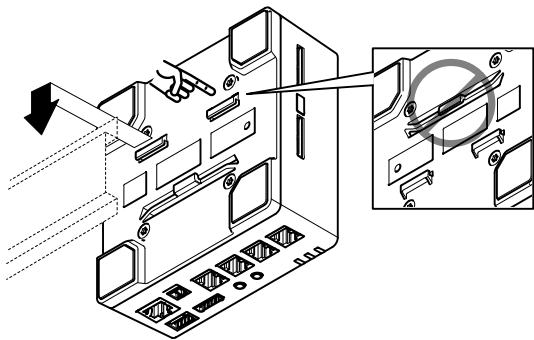
Connettore I/O



- 1 0 V CC (-)
- 2 Uscita CC 12 V, max 50 mA
- 3 Esempio: pulsante
- A I/O configurato come ingresso
- B I/O configurato come uscita

Installare l'hardware

È possibile posizionare l'unità principale su una scrivania o montarla su una guida DIN. Per semplificare l'instradamento dei cavi dalla parte superiore o da un lato, rimuovere le 4 viti (Torx T20) e riallineare la piastra inferiore sotto l'unità (vedere *Panoramica dell'hardware alla pagina 74*). Visitare www.axis.com per gli accessori opzionali.



1. Se necessario, premere per rimuovere la scheda di memoria finta e inserire una scheda di memoria SD nello slot apposito.
2. Collegare il cavo di rete per connettere l'unità principale alla rete.
3. Collegare l'unità con sensore all'unità principale utilizzando il cavo RJ12.
4. Se necessario, collegare un alimentatore CA/CC alla morsettiera di alimentazione.
5. Se necessario, collegare il cavo I/O con la relativa morsettiera a 6 pin per connettere i dispositivi esterni di ingresso/uscita.

6. Se necessario, usare i cavi audio per collegare un altoparlante attivo o un microfono esterno.
7. Se necessario, usare il cavo RS232 per collegare una periferica ausiliaria.

Accedere al dispositivo

AXIS IP Utility e AXIS Camera Management sono i metodi consigliati per trovare i dispositivi Axis in rete e assegnare loro un indirizzo IP in Windows®. Queste applicazioni sono entrambe gratuite e possono essere scaricate da www.axis.com/techsup

Il dispositivo può essere utilizzato con la maggior parte dei sistemi operativi e dei browser. I browser consigliati sono i seguenti:

- Internet Explorer® con Windows®
- Safari® con OS X®
- Chrome™ o Firefox® con altri sistemi operativi.

Per ulteriori informazioni sull'utilizzo del dispositivo, consultare la guida per l'utente disponibile sul sito Web www.axis.com

Ripristino dei valori predefiniti di fabbrica

Importante

Il ripristino delle impostazioni di fabbrica deve essere usato con cautela. Un ripristino delle impostazioni di fabbrica consentirà di ripristinare le impostazioni di fabbrica per tutti i parametri, incluso l'indirizzo IP.

Nota

Gli strumenti per l'installazione e la gestione del software sono disponibili nelle pagine dedicate all'assistenza sul sito Web www.axis.com/techsup.

Per i dispositivi con più indirizzi IP, il canale 1 avrà l'indirizzo 192.168.0.90, il canale 2 avrà l'indirizzo 192.168.0.91 e così via.

Per ripristinare il dispositivo alle impostazioni predefinite di fabbrica:

1. Scollegare l'alimentazione dal dispositivo.
2. Tenere premuto il pulsante di controllo e ricollegare l'alimentazione. Consultare *Panoramica dell'hardware alla pagina 74*.
3. Tenere premuto il pulsante di controllo per 15-30 secondi fino a quando l'indicatore LED di stato lampeggerà in giallo.
4. Rilasciare il pulsante di comando. Il processo è completo quando il LED di stato diventerà verde. Il dispositivo è stato reimpostato alle impostazioni di fabbrica predefinite. Se nessun server DHCP è disponibile in rete, l'indirizzo IP predefinito è 192 . 168 . 0 . 90.
5. Mediante gli strumenti per l'installazione e la gestione del software, assegnare un indirizzo IP, impostare la password e accedere al flusso video.

Nota

Per riportare alle impostazioni originali di fabbrica un solo canale, utilizzare il pulsante corrispondente nella pagina Web del dispositivo.

È anche possibile reimpostare i parametri alle impostazioni predefinite di fabbrica mediante l'interfaccia Web. Andare a **Setup > System Options > Maintenance (Configurazione > Opzioni di sistema > Manutenzione)** e fare clic su **Default (Predefinito)**.

Ulteriori informazioni

- Per la versione più recente di questo documento, visitare il sito all'indirizzo www.axis.com
- Il manuale per l'utente è disponibile all'indirizzo www.axis.com
- Per verificare se sono stati pubblicati aggiornamenti del firmware per il proprio dispositivo, vedere www.axis.com/support

- Per servizi di formazione utili e webinar, visita il sito www.axis.com/academy

Informazioni sulla garanzia

Per informazioni sulla garanzia del dispositivo Axis e informazioni ad esso relative, consultare la pagina www.axis.com/warranty/

Información de seguridad

Lea esta Guía de instalación con atención antes de instalar el producto. Guarde la Guía de instalación para poder consultarla en otro momento.

Niveles de peligro

⚠ PELIGRO

Indica una situación peligrosa que, si no se evita, provocará lesiones graves o la muerte.

⚠ ADVERTENCIA

Indica una situación peligrosa que, si no se evita, puede provocar lesiones graves o la muerte.

⚠ ATENCIÓN

Indica una situación peligrosa que, si no se evita, puede provocar lesiones moderadas o leves.

AVISO

Indica una situación peligrosa que, si no se evita, puede provocar daños materiales.

Otros niveles de mensaje

Importante

Indica información importante que es fundamental para que el producto funcione correctamente.

Nota

Indica información útil que ayuda a aprovechar el producto al máximo.

Instrucciones de seguridad

AVISO

- El producto de Axis debe utilizarse de acuerdo con las leyes y normativas locales.
- Para usar el producto de Axis en exteriores, o en entornos similares, debe instalarse en una carcasa exterior aprobada.
- Almacene el producto de Axis en un entorno seco y ventilado.
- Evite la exposición del producto de Axis a choques o a una fuerte presión.
- No instale el producto en postes, soportes, superficies o paredes inestables.
- Utilice solo las herramientas correspondientes cuando instale el producto de Axis. La aplicación de una fuerza excesiva con herramientas eléctricas puede provocar daños en el producto.
- No utilice limpiadores en aerosol, agentes cáusticos ni productos químicos.
- Limpie con un paño limpio humedecido con agua pura.
- Utilice solo accesorios que cumplan con las especificaciones técnicas del producto. Estos accesorios los puede proporcionar Axis o un tercero.
- Utilice solo piezas de repuesto proporcionadas o recomendadas por Axis.
- No intente reparar el producto usted mismo. Póngase en contacto con el servicio de asistencia técnica de Axis o con su distribuidor de Axis para tratar asuntos de reparación.

Transporte

AVISO

- Cuando transporte el producto de Axis, utilice el embalaje original o un equivalente para evitar daños en el producto.

Batería

Este producto de Axis utiliza una batería de litio BR2032 de 3,0 V como fuente de alimentación del reloj interno en tiempo real. En condiciones normales, esta batería durará un mínimo de cinco años.

Un nivel bajo de batería afectará al funcionamiento del reloj en tiempo real, lo que provocará el restablecimiento de este cada vez que se encienda el producto. Cuando sea necesario sustituir la batería, aparecerá un mensaje de registro en el informe del servidor del producto. Para obtener más información sobre el informe del servidor, consulte las páginas de configuración del producto o póngase en contacto con el servicio de asistencia técnica de Axis.

La batería no debe sustituirse a menos que sea necesario; no obstante, si precisa hacerlo, póngase en contacto con el servicio de asistencia técnica de Axis en www.axis.com/techsup para solicitar ayuda.

Las pilas de botón de litio de 3,0 V contienen 1,2-dimetoxietano; éter dimetilico de etilenglicol (EGDME), n.º CAS 110-71-4.

⚠ ADVERTENCIA

- La sustitución incorrecta de la batería implica riesgo de explosión.
- Sustituya la batería por una batería idéntica u otra batería recomendada por Axis.
- Deseche las baterías usadas de conformidad con la normativa local o las instrucciones del fabricante.

Guía de instalación

Esta Guía de instalación incluye las instrucciones necesarias para instalar la unidad principal de entrada dual de audio AXIS F44 en su red. Para conocer otros aspectos de uso del producto, vea el manual del usuario disponible en www.axis.com.

Pasos de la instalación

1. Asegúrese de que dispone del contenido del paquete, las herramientas y los demás materiales necesarios para la instalación. Vea *página 95*.
2. Estudie la información general del hardware. Vea *página 96*.
3. Estudie las especificaciones. Vea *página 102*.
4. Instale el hardware. Vea *página 107*.
5. Acceda al producto. Vea *página 108*.

Contenido del paquete

- Unidad principal de entrada de audio dual AXIS F44
- Adaptador de estéreo a mono
- Bloque de conectores de 2 pines
- Bloque de conectores de E/S de 6 pines
- Bloque de conectores RS232 de 5 pines
- Materiales impresos
 - Guía de instalación (este documento)
 - Etiqueta adicional con el número de serie (2)
 - Clave de autenticación AVHS

Herramientas recomendadas

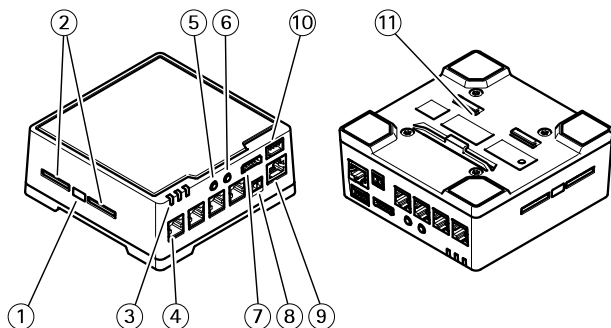
- Destornillador Torx T20 para retirar la cubierta inferior de plástico

Accesorios opcionales

- Montaje en superficie AXIS F8001 con descargas de tracción
- Clip para carril DIN AXIS F8002

Para obtener información sobre los accesorios disponibles, visite www.axis.com.

Información general del hardware



1. Botón de control
2. Ranuras para tarjetas SD
3. LED (encendido, estado y red)
4. Conector RJ12 (4x)
5. Entrada de audio
6. Salida de audio
7. Conector de E/S
8. Conector de alimentación
9. Conector de red (PoE)
10. Conector RS232
11. Placa inferior de plástico

Cómo acortar el cable de la unidad del sensor

Nota

- El cable de la unidad del sensor no se puede ampliar o dividir.
- Al guiar el cable de la unidad del sensor, el radio de flexión mínimo es de 40 mm.

La unidad del sensor incluye un cable. Para acortarlo, siga estos pasos:

1. Corte el cable hasta la longitud deseada. Mida desde la unidad del sensor.
2. Pele la cubierta de plástico externa del extremo del cable.
3. Despegue el blindaje.
4. Aplane los cables de colores en el orden que se describe a continuación.

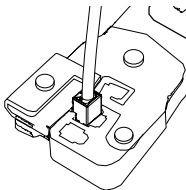
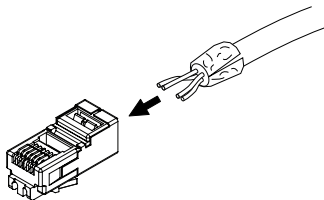
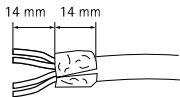
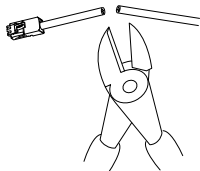
1	Marrón
2	Blanco/marrón
3	No se utiliza
4	No se utiliza
5	Blanco/azul
6	Azul

5. Introduzca los cables por completo en un conector RJ12 6P6C blindado.

AVISO

Asegúrese de que los cables permanezcan en el orden adecuado y de que el blindaje del cable haga un contacto adecuado con el blindaje del conector.

6. Utilice un engarzador para fijar el conector al cable.



Indicadores LED

Nota

- Se puede configurar el LED de estado para que se apague durante el funcionamiento normal. Para ello, vaya a **Setup > System Options > Ports & Devices > LED (Configuración > Opciones del sistema > Puertos y dispositivos > LED)**. Vea la ayuda en línea para obtener más información.
- Se puede configurar el LED Estado para que parpadee mientras haya un evento activo.
- Se puede configurar el LED de estado para que parpadee e identifique la unidad. Vaya a **Setup > System Options > Maintenance (Configuración > Opciones del sistema > Mantenimiento)**.

LED de estado	Indicación
Verde	Verde fijo para indicar un funcionamiento normal.
Ámbar	Fijo durante el inicio. Parpadea al restaurar valores de configuración.

Nota

El LED de red puede desactivarse para que no parpadee cuando exista tráfico de red. Para ello, vaya a **Setup > System Options > Ports & Devices > LED (Configuración > Opciones del sistema > Puertos y dispositivos > LED)**. Vea la ayuda en línea para obtener más información.

LED de red	Indicación
Verde	Fijo para indicar una conexión a una red de 100 Mbits/s. Parpadea cuando hay actividad de red.
Ámbar	Fijo para indicar una conexión a una red de 10 Mbits/s. Parpadea cuando hay actividad de red.
Apagado	No hay conexión a la red.

LED de alimentación	Indicación
Verde	Funcionamiento normal.
Ámbar	Parpadea en verde/ámbar durante la actualización del firmware.

Conectores y botones

Para conocer las especificaciones y las condiciones de funcionamiento, vea *página 102*.

Conector de red

Conector Ethernet RJ45 con alimentación a través de Ethernet (PoE).

AVISO

El producto se conectará mediante un cable de red blindado (STP). Todos los cables que conecten el producto a la red deberán estar blindados para su uso específico. Asegúrese de que los dispositivos de red estén instalados de conformidad con las instrucciones del fabricante. Para obtener información sobre los requisitos normativos, vea *Electromagnetic Compatibility (EMC) 2*.

Conector de E/S

Se utiliza con dispositivos externos combinados, por ejemplo, con alarmas antimanipulación, detección de movimiento, activación de eventos, grabación de intervalos de tiempo y notificaciones de alarma. Además del punto de referencia de 0 V CC y la potencia (salida de CC), el conector de E/S ofrece la interfaz para:

- **Salida digital:** para conectar dispositivos externos como relés y LED. Los dispositivos conectados se pueden activar mediante la Interfaz de programación de aplicaciones (API) VAPIX®, los botones de salida de la página Live View o mediante una regla de acción. La salida se mostrará activa (se indica en **System Options > Ports & Devices (Opciones del sistema > Puertos y dispositivos)**) si el dispositivo de alarma está activado.
- **Entrada digital:** una entrada de alarma para conectar dispositivos que puedan alternar circuitos cerrados y abiertos, como detectores PIR, contactos de puertas y ventanas, detectores de rotura de cristales, etc. Cuando se recibe una señal, el estado cambia y la entrada se vuelve activa (se indica en **System Options > Ports & Devices (Opciones del sistema > Puertos y dispositivos)**).

Conector de alimentación

Bloque de terminales de 2 pines para la entrada de alimentación. Use una fuente de alimentación limitada (LPS) que cumpla los requisitos de tensión muy baja de seguridad (SELV) con una potencia nominal de salida limitada a ≤ 100 W o una corriente nominal de salida limitada a ≤ 5 A.

Conector de audio

El producto de Axis integra los siguientes conectores de audio:

- **Entrada de audio:** entrada de 3,5 mm para dos micrófonos mono, o dos entradas de línea de señal mono (se usa el adaptador de estéreo a mono suministrado).
- **Salida de audio:** Salida para audio (nivel de línea) de 3,5 mm que se puede conectar a un sistema de megafonía pública o a un altavoz con amplificador incorporado. Debe utilizarse un conector estéreo para la salida de audio.

Conector RS232

Bloque de terminales de 5 pines para la interfaz serie RS232 usada para controlar equipos auxiliares. Para utilizar el puerto RS232, se precisa una aplicación de terceros para la plataforma de aplicaciones de cámaras AXIS.

Conector RJ12

El conector RJ12 se utiliza para conectar la unidad del sensor a la unidad principal. Para obtener más información sobre cómo acortar el cable de la unidad del sensor, vea *Cómo acortar el cable de la unidad del sensor en la página 97*.

Ranura para tarjetas SD

AVISO

- **Riesgo de daños en la tarjeta SD.** No utilice herramientas afiladas, objetos de metal ni ejerza demasiada fuerza al insertar o extraer la tarjeta SD. Utilice los dedos para insertar o extraer la tarjeta.

AXIS F44 Dual Audio Input

- Riesgo de pérdida de datos y grabaciones dañadas. No extraiga la tarjeta SD mientras el producto esté en funcionamiento. Desconecte la corriente o desinstale la tarjeta SD desde las páginas web de producto de Axis antes de retirarla.

Este producto admite tarjetas SD/SDHC/SDXC (no incluidas).

Para conocer las recomendaciones de tarjeta SD, consulte www.axis.com.

Botón de control

Para conocer la ubicación del botón de control, vea *Información general del hardware en la página 96*.

El botón de control se utiliza para lo siguiente:

- Restablecer el producto a la configuración predeterminada de fábrica. Consulte *página 108*.
- Conectarse a un servicio AXIS Video Hosting System o al Servicio de DNS dinámico de Internet de AXIS. Para obtener más información sobre estos servicios, consulte el Manual del usuario.

Especificaciones

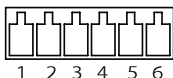
El producto de Axis se ha diseñado para su uso en interior.

Clasificación	Temperatura	Humedad
IEC/EN 60529	De -30 °C a 60 °C	Humedad relativa: del 10 al 85 % (sin condensación)

Conectores

Conector de E/S

Bloque de terminales de 6 pines



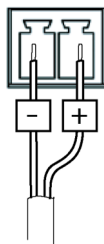
Para ver un ejemplo del diagrama, consulte *Diagramas de conexión en la página 106*.

Función	Pin	Notas	Especificaciones
0 V CC (-)	1		0 V CC
Salida de CC	2	Se puede utilizar para conectar el equipo auxiliar. Nota: Este pin solo se puede utilizar como salida.	12 V CC Carga máx. = 50 mA
Configurable (entrada o salida)	3-6	Entrada digital: Conectar al pin 1 para activarla o dejarla suelta (o desconectada) para desactivarla.	0 a 30 V CC máx.
		Salida digital: Conectada al pin 1 cuando se activa y suelta (sin conectar) cuando está desactivada. Si se utiliza con una carga inductiva (por ejemplo, un relé), debe conectarse un diodo en paralelo a la carga como protección ante transitorios de tensión.	0 a 30 V CC máx., colector abierto, 100 mA

AXIS F44 Dual Audio Input

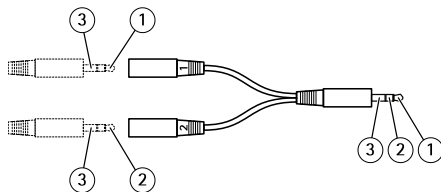
Conector de alimentación

Bloque de terminales de 2 pines para la entrada de alimentación de CC. Use una fuente de alimentación limitada (LPS) que cumpla los requisitos de tensión muy baja de seguridad (SELV) con una potencia nominal de salida limitada a ≤ 100 W o una corriente nominal de salida limitada a ≤ 5 A.



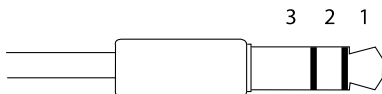
Conector de audio

Entrada:
Conectores
de audio de
3,5 mm (es-
téreo)



1	2	3
Audio 1	Audio 2	Masa
Entrada de línea/micrófono	Entrada de línea/micrófono	

Salida: Conectores de audio de 3,5 mm (estéreo)



1 Punta	2 Anillo	3 Manguito
Salida de línea (mono)		Masa

Conector RS232

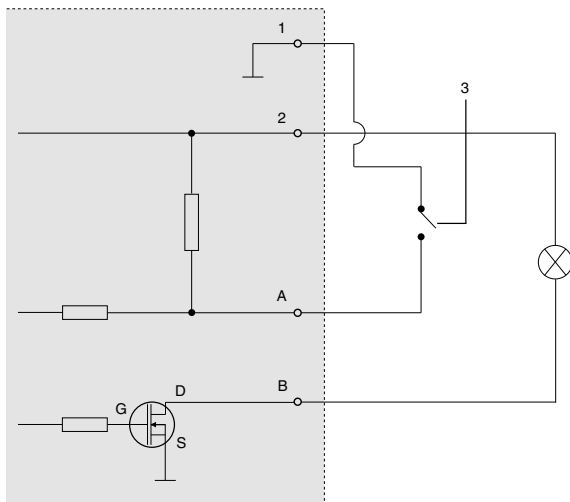
Bloque de terminales de 5 pines para la interfaz serie RS232 usada para controlar equipos auxiliares. Para utilizar el puerto RS232, se precisa una aplicación de terceros para la plataforma de aplicaciones de cámaras AXIS. El puerto se puede utilizar de los siguientes modos:

- Interfaz RS-232 2TX/2RX (TXD, RTS, GND, CTS, RXD)

Función	Pin	Notas
RS232 TD	1	Salida de controlador RS232
RS232 RTS	2	
RS232 GND	3	Masa
RS232 CTS	4	Entrada de receptor RS232
RS232 RD	5	

Diagramas de conexión

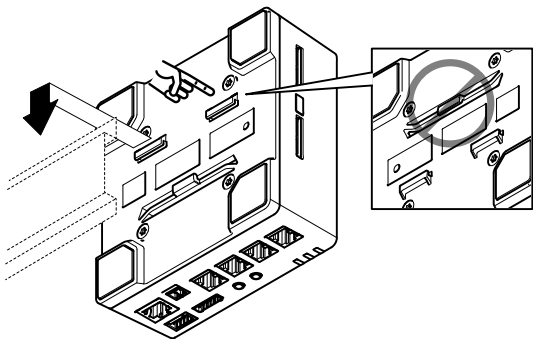
Conector de E/S



- 1 0 V CC (-)
- 2 Salida de CC 12 V, 50 mA máx.
- 3 Ejemplo: Pulsador
- A E/S configurada como entrada
- B E/S configurada como salida

Instalación del hardware

La unidad principal se puede colocar en un escritorio o montarse en un carril DIN. Para facilitar la guía de los cables desde la parte superior o lateral, extraiga los cuatro tornillos (Torx T20) y vuelva a alinear de manera adecuada la placa inferior de debajo de la unidad (vea *Información general del hardware en la página 96*). Vea www.axis.com para conocer los accesorios opcionales.



1. Si es preciso, presione para liberar la tarjeta SD de imitación e introduzca una tarjeta de memoria SD en la ranura específica.
2. Enchufe el cable de red para conectar la unidad principal a la red.
3. Conecte la unidad del sensor a la unidad principal con el cable RJ12.
4. Si es preciso, conecte una fuente de alimentación de CA/CC al conector de alimentación.
5. Si es preciso, conecte el cable de E/S utilizando el bloque de conectores de E/S de seis pines para conectar los dispositivos de entrada/salida externos.

6. Si procede, enchufe los cables de audio para conectar un micrófono externo/altavoz activo.
7. Si es necesario, enchufe el cable RS232 para conectar equipos auxiliares.

Acceso al producto

Se recomiendan AXIS IP Utility y AXIS Camera Management como métodos para buscar los productos de Axis en la red y asignarles direcciones IP en Windows®. Ambas aplicaciones son gratuitas y pueden descargarse de www.axis.com/techsup

El producto se puede utilizar con la mayoría de los sistemas operativos y navegadores. Los navegadores recomendados son:

- Internet Explorer® con Windows®
- Safari® con OS X®
- Chrome™ o Firefox® con otros sistemas operativos.

Para obtener más información sobre el uso del producto, consulte el manual del usuario, disponible en www.axis.com.

Restablecimiento a la configuración predeterminada de fábrica

Importante

Hay que tener cuidado al restablecer la configuración predeterminada de fábrica. Todos los valores, incluida la dirección IP, se restablecerán a la configuración predeterminada de fábrica.

Nota

Las herramientas del software de instalación y gestión están disponibles en las páginas de asistencia técnica en www.axis.com/techsup.

Para productos con varias direcciones IP, el canal 1 tiene la dirección 192.168.0.90, el canal 2 tiene la dirección 192.168.0.91 y así sucesivamente.

Para restablecer el producto a la configuración predeterminada de fábrica:

1. Desconecte la alimentación del producto.
2. Mantenga pulsado el botón de control y vuelva a conectar la alimentación. Vea *Información general del hardware en la página 96*.
3. Mantenga pulsado el botón de control durante 15-30 segundos hasta que el indicador LED de estado parpadee en ámbar.
4. Suelte el botón de control. El proceso finaliza cuando el indicador LED de estado se pone verde. El producto se ha restablecido a la configuración predeterminada de fábrica. Si no hay ningún servidor DHCP disponible en la red, la dirección IP predeterminada es 192 . 168 . 0 . 90.
5. Utilice las herramientas del software de instalación y gestión para asignar una dirección IP, establecer la contraseña y acceder a la transmisión de vídeo.

Nota

Para restablecer la configuración predeterminada original de un único canal, use el botón proporcionado en la página web de ese producto.

También es posible restablecer los parámetros a los valores predeterminados de fábrica mediante la interfaz web. Vaya a **Setup > System Options > Maintenance (Configuración > Opciones del sistema > Mantenimiento)** y haga clic en **Default (Predeterminado)**.

Más información

- Para consultar la versión más reciente de este documento, vaya a www.axis.com
- El manual de usuario se encuentra disponible en www.axis.com.
- Para comprobar si existe un firmware actualizado disponible para su producto de red, vaya a www.axis.com/support
- Para consultar seminarios web y cursos en línea que pueden resultarle útiles, vaya a www.axis.com/academy

Información de garantía

Para obtener más detalles sobre la garantía del producto Axis y la información relacionada con ella, consulte www.axis.com/warranty/

安全情報

本製品を設置する前に、このインストールガイドをよくお読みください。インストールガイドは、後で参照できるように保管しておいてください。

危険レベル

▲危険

回避しない場合、死亡または重傷につながる危険な状態を示します。

▲警告

回避しない場合、死亡または重傷につながるおそれのある危険な状態を示します。

▲注意

回避しない場合、軽傷または中程度の怪我につながるおそれのある危険な状態を示します。

注記

回避しない場合、器物の破損につながるおそれのある状態を示します。

その他のメッセージレベル

重要

製品を正しく機能させるために不可欠な重要情報を示します。

注意

製品を最大限に活用するために役立つ有用な情報を示します。

安全手順

注記

- 本製品は、お使いになる地域の法律や規制に準拠して使用してください。
- 本製品を屋外またはそれに準じる環境で使用する場合は、認定済みの屋外用筐体に収納して設置する必要があります。
- 本製品は乾燥した換気のよい環境に保管してください。
- 本製品に衝撃または強い圧力を加えないでください。
- 本製品を不安定なポール、ブラケット、表面、または壁に設置しないでください。
- 本製品を設置する際には、適切な工具のみを使用してください。電動工具を使用して過剰な力をかけると、製品が損傷することがあります。
- 化学薬品、腐食剤、噴霧式クリーナーは使用しないでください。
- 清掃には、きれいな水に浸した清潔な布を使用してください。
- 製品の技術仕様に準拠したアクセサリーのみを使用してください。これらのアクセサリーは、Axisまたはサードパーティから入手できます。
- Axisが提供または推奨する交換部品のみを使用してください。
- 製品を自分で修理しないでください。修理については、Axisサポートまたは販売代理店にお問い合わせください。

輸送

注記

- 本製品を運搬する際は、製品が損傷しないよう、元の梱包か同等の梱包を使用してください。

バッテリー

本製品は、内部リアルタイムクロック (RTC) 用電源として、3.0V BR2032リチウムバッテリーを使用します。このバッテリーは、通常条件下で最低5年間使用できます。

バッテリーが低電力状態になると、内部リアルタイムクロック (RTC)の動作に影響し、電源を入れるたびにRTCがリセットされます。バッテリーの交換が必要になると、製品のサーバーレポートにログメッセージが表示されます。サーバーレポートの詳細については、製品の設定ページを参照するか、Axisサポートまでお問い合わせください。

必要な場合以外はバッテリーを交換しないでください。バッテリーの交換が必要な場合は、Axisサポート (www.axis.com/techsup) までご連絡ください。

リチウムコイン型3.0V電池は、1,2-ジメトキシエタン (エチレングリコールジメチルエーテル (EGDME)、CAS番号110-71-4) を含有しています。

警告

- バッテリーは、正しく交換しないと爆発する危険があります。
- 交換用バッテリーとしては、同一品またはAxisが推奨するバッテリーのみを使用してください。
- 使用済みバッテリーは、地域の規制またはバッテリーメーカーの指示に従って廃棄してください。

インストールガイド

このインストールガイドでは、AXIS F44デュアル音声入力メインユニットをお使いのネットワークにインストールする手順について説明します。製品の使用の詳細については、www.axis.comで入手できるユーザーズマニュアルを参照してください。

設置手順

1. パッケージの内容、ツールなど、設置に必要な物がそろっているかを確認します。115ページを参照してください。
2. ハードウェアの概要を確認します。116ページを参照してください。
3. 仕様を確認します。123ページを参照してください。
4. ハードウェアを設置します。128ページを参照してください。
5. 製品にアクセスします。129ページを参照してください。

パッケージの内容

- AXIS F44デュアル音声入力メインユニット
- ステレオ-モノラルアダプター
- 2ピン電源コネクタブロック
- 6ピンI/Oコネクタブロック
- 5ピンRS232コネクタブロック
- 印刷物
 - インストールガイド (本書)
 - 予備のシリアル番号ラベル (2枚)
 - AVHS認証キー

推奨ツール

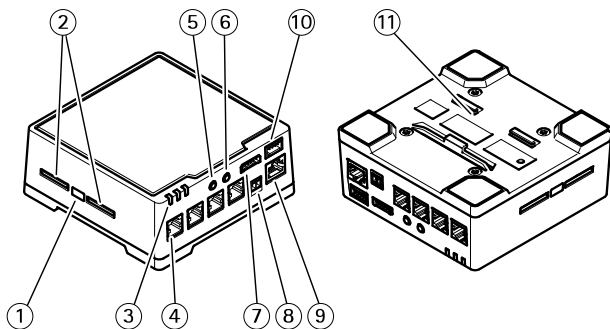
- トルクスT20ドライバー (プラスチック製ボトムカバー取り外し用)

オプションアクセサリー

- AXIS F8001サーフェスマウント (張力緩和型)
- AXIS F8002 DINレールクリップ

利用可能なアクセサリーについては、www.axis.comを参照してください。

ハードウェアの概要



1. コントロールボタン
2. SDカードスロット
3. LED (電源、ステータス、ネットワーク)
4. RJ12コネクター (×4)
5. 音声入力
6. 音声出力

7. I/Oコネクタ
8. 電源コネクタ
9. ネットワークコネクタ (PoE)
10. RS232コネクタ
11. プラスチック製ボトムプレート

センサーユニットのケーブルを短くする

注意

- センサーユニットのケーブルは延長したり分割したりすることはできません。
- センサーユニットのケーブルを配線するとき、最小曲げ半径は40 mmです。

センサーユニットには、ケーブルが接続されています。このケーブルを短くする場合は、以下の手順に従ってください。

1. センサーユニットからケーブルの長さを測定し、希望の長さで切断します。
2. ケーブルの端から、プラスチックの外部被覆を剥ぎ取ります。
3. シールドを剥きます。
4. 色分けされたワイヤを以下の順序で平らに並べます。

1	茶
2	白/茶
3	使用しません
4	使用しません
5	白/青
6	青

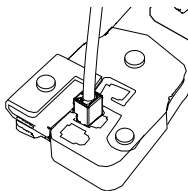
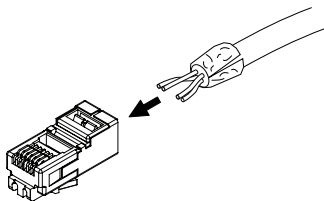
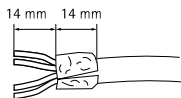
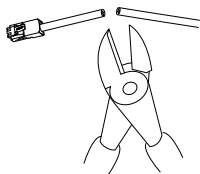
AXIS F44 Dual Audio Input

5. ワイヤーをシールド付き6P6C RJ12コネクタに差し込みます。

注記

ワイヤーが正しい順序に並び、ケーブルシールドがコネクタシールドときちんと接触していることを確認します。

6. 圧着工具を使用して、コネクタをケーブルに固定します。



LEDインジケータ

注意

- ステータスLEDは、正常動作時に消灯させることができます。設定は、[Setup - System Options - Ports & Devices - LED] (設定 - システムオプション - ポートと

デバイス - LED)で行います。詳細については、オンラインヘルプを参照してください。

- ステータスLEDは、イベントの発生時に点滅させることができます。
- ステータスLEDを点滅させ、本製品を識別できるように設定することができます。設定は、[Setup - System Options - Maintenance] (設定 - システムオプション - 保守)で行います。

ステータスLED	説明
緑	正常動作であれば緑色に点灯します。
黄	起動時に点灯し、設定の復元時には点滅します。

注意

ネットワークLEDは、ネットワークトラフィックがあるときに点滅しないように無効にすることができます。設定は、[Setup - System Options - Ports & Devices - LED] (設定 - システムオプション - ポートとデバイス - LED)で行います。詳細については、オンラインヘルプを参照してください。

ネットワークLED	説明
緑	100 Mbit/sネットワークに接続している場合、点灯します。ネットワークパケットを送受信した場合、点滅します。

黄	10 Mbit/s ネットワークに接続している場合、点灯します。ネットワークパケットを送受信した場合、点滅します。
無点灯	ネットワーク接続なし。

電源LED	説明
緑	正常動作。
黄	ファームウェアアップグレード中は緑と黄の交互点滅。

コネクタとボタン

仕様と動作条件については、123ページを参照してください。

ネットワークコネクタ

RJ45イーサネットコネクタ、Power over Ethernet (PoE) 対応。

注記

本製品は、シールドネットワークケーブル (STP) を使用して接続してください。本製品は、用途に合ったケーブルを使用してネットワークに接続してください。ネットワーク装置がメーカーの指示どおりに設置されていることを確認します。法的要件については、*Electromagnetic Compatibility (EMC) 2*を参照してください。

I/Oコネクタ

外部装置を接続し、カメラに対するいたずらの警報、動体検知、イベントトリガー、タイムラプス撮影、アラーム通知などを使用することができます。I/Oコネクタは、0V DC基準点と電力 (DC出力) に加えて、以下のインターフェースを提供します。

- デジタル出力** — リレーやLEDなどの外部デバイスを接続します。接続されたデバイスは、VAPIX®アプリケーションプログラミングインターフェース (API)、[Live View] (ライブビュー) ページの出力ボタン、アクションルールを使用してアクティブにすることができます。アラームデバイスがアクティブな場合、出力がアクティブと表示されます (**System Options > Port & Devices (システムオプション > ポートとデバイス)** で表示)。
- デジタル入力** — オープンサーキットとクローズサーキットの切り替えが可能なデバイスを接続するためのアラーム入力。たとえば、PIR、ドア/窓の接触、ガラス破壊検知などです。信号を受取ると状態が変化し、入力がactiveになります (**System Options > Ports & Devices (システムオプション > ポートとデバイス)** で表示)。

電源コネクタ

電源入力用2ピンターミナルブロック。定格出力が100 W以下または5 A以下の安全特別低電圧 (SELV) に準拠した有限電源 (LPS) を使用してください。

音声コネクタ

本製品は、以下の音声コネクタを搭載しています。

- 音声入力** - 2つのモノラルマイクロフォンまたは2つのライン入力モノラル信号用 (付属のステレオ-モノラルアダプターを使用) 3.5 mm入力。
- 音声出力** - 3.5 mm音声 (ラインレベル) 出力 (パブリックアドレス (PA) システムまたはアンプ内蔵アクティブスピーカーに接続可能)。音声出力には、ステレオコネクタを使用する必要があります。

RS232 コネクター

RS-232シリアルインターフェース用の5ピンターミナルブロックで、補助装置の制御に使用されます。RS232ポートを使用するには、AXIS Camera Application Platform向けのサードパーティ製アプリケーションが必要です。

RJ12 コネクター

RJ12コネクターは、センサーユニットとメインユニットの接続に使用します。センサーユニットのケーブルを短くする方法については、117ページの、センサーユニットのケーブルを短くするを参照してください。

SDカードスロット

注記

- SDカード損傷の危険があります。SDカードの挿入と取り外しの際には、鋭利な工具や金属性の物を使用したり、過剰な力をかけないでください。カードの挿入や取り外しは指で行ってください。
- データ損失や録画データ破損の危険があります。本製品の稼働中はSDカードを取り外さないでください。取り外しの前に電源を切るか、Axis製品のWebページからSDカードをマウント解除してください。

本製品は、SD/SDHC/SDXCカードに対応しています (別売)。

推奨するSDカードについては、www.axis.comを参照してください。

コントロールボタン

コントロールボタンの位置については、116ページの、ハードウェアの概要を参照してください。

コントロールボタンは、以下の用途で使用します。

- 製品を工場出荷時の設定にリセットする。129ページを参照してください。

- AXIS Video Hosting SystemサービスまたはAXIS Internet Dynamic DNSサービスに接続する。これらのサービスの詳細については、ユーザーズマニュアルを参照してください。

仕様

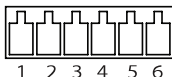
本製品は屋内用モデルです。

等級	温度	湿度
IEC/EN 60529	-30 ° C ~ 60 ° C	10 ~ 85% RH (結露しないこと)

コネクタ

I/Oコネクタ

6ピンターミナルブロック



接続例の図については、127ページの、接続図を参照してください。

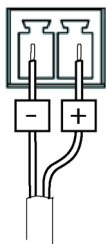
機能	ピン	備考	仕様
0VDC(-)	1		0VDC

AXIS F44 Dual Audio Input

DC出力	2	補助装置の電源供給に使用できません。 注: このピンは、電源出力としてのみ使用できます。	12 V DC 最大負荷 = 50 mA
設定可能 (入力または出力)	3-6	デジタル入力 - 動作させるにはピン1に接続し、動作させない場合はフロート状態(未接続)のままにします。	0~30 VDC (最大)
		デジタル出力 - 動作させるにはピン1に接続し、動作させない場合はフロート状態(未接続)にします。誘導負荷(例: リレー)とともに使用する場合は、過渡電圧から保護するため、ダイオードを負荷と並列に接続する必要があります。	0~30 VDC (最大)、 オープンドレイン、100 mA

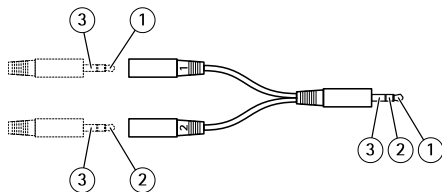
電源コネクタ

DC電源入力用2ピンターミナルブロック。定格出力が100 W以下または5 A以下の安全特別低電圧 (SELV) に準拠した有限電源 (LPS) を使用してください。



音声コネクタ

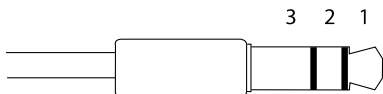
入力:
3.5 mm 音声
コネクタ (ステレオ)



1	2	3
音声1 マイクロフォン/ライン 入力	音声2 マイクロフォン/ライン 入力	グラン ド

AXIS F44 Dual Audio Input

出力:
3.5 mm 音声
コネクタ (ス
テレオ)



1 チップ	2 リング	3 スリーブ
ライン出力 (モノラル)		グラウンド

RS232 コネクター

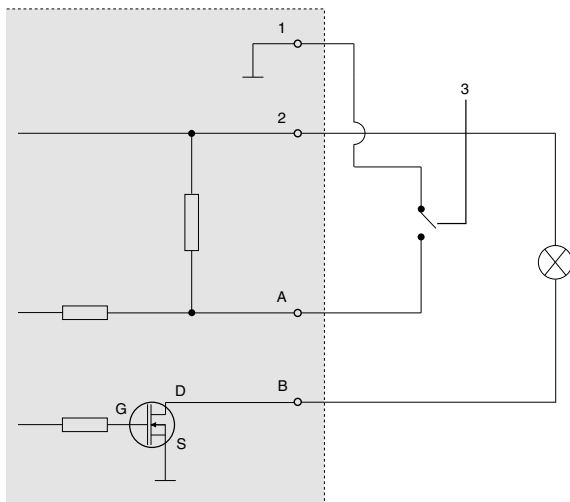
RS232シリアルインターフェース用の5ピンターミナルブロックで、補助装置の制御に使用されます。RS232ポートを使用するには、AXIS Camera Application Platform向けのサードパーティ製アプリケーションが必要です。ポートは、以下のモードで使用できます。

- 2TX/2RX RS-232インターフェース (TXD、RTS、GND、CTS、RXD)

機能	ピン	備考
RS232 TD	1	RS232 ドライバー出力
RS232 RTS	2	
RS232 GND	3	グラウンド
RS232 CTS	4	RS232 レシーバー入力
RS232 RD	5	

接続図

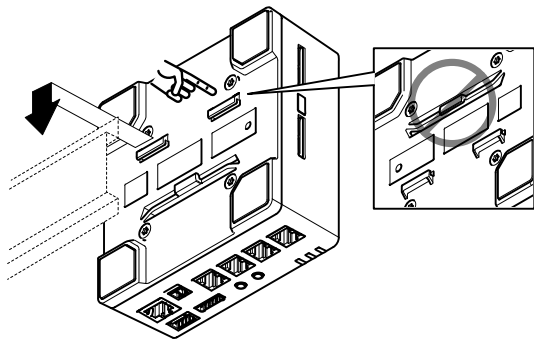
I/Oコネクタ



- 1 0VDC (-)
- 2 DC出力12V、最大50mA
- 3 例: プッシュボタン
- A I/O (入力として設定)
- B I/O (出力として設定)

ハードウェアの設置

メインユニットは、卓上に設置するか、DINレールに取り付けることができます。上部または側面からケーブルを容易に配線できるようにするには、4本のネジ(トルクスT20)を取り外し、メインユニットの底部のボトムプレートを適切に再調整してください(116ページの、ハードウェアの概要を参照)。オプションアクセサリについては、www.axis.comを参照してください。



1. 必要に応じて、SDメモリーカードスロットに挿入されているダミーのSDカードを押し取り出し、SDメモリーカードを挿入します。
2. ネットワークケーブルを使用して、メインユニットをネットワークに接続します。
3. RJ12ケーブルを使用して、センサーユニットをメインユニットに接続します。
4. 必要に応じて、電源コネクタにAC/DC電源を接続します。
5. 必要に応じて、I/Oケーブルを使用して、外部入出力デバイスを6ピンI/Oコネクタブロックに接続します。

- 必要に応じて、音声ケーブルを使用して、アクティブスピーカー/外部マイクロフォンを接続します。
- 必要に応じて、RS232ケーブルを使用して外部装置を接続します。

製品へのアクセス

ネットワーク上でAxis製品を検索したり、Windows®でそれにIPアドレスを割り当てるには、AXIS IP UtilityまたはAXIS Camera Managementの使用をお勧めします。いずれのアプリケーションも無料で、www.axis.com/techsupからダウンロードできます

本製品は、ほとんどのオペレーティングシステムとブラウザでご利用いただけます。推奨ブラウザは以下のとおりです。

- Internet Explorer® (Windows®の場合)
- Safari® (OS X®の場合)
- Chrome™またはFirefox® (その他のオペレーティングシステムの場合)

製品の使用の詳細については、Axisのホームページ (www.axis.com) でユーザーズマニュアルを参照してください

工場出荷時の設定にリセットする

重要

工場出荷時の設定へのリセットは慎重に行ってください。工場出荷時の設定へのリセットを行うと、IPアドレスを含むすべての設定が工場出荷時の値にリセットされます。

注意

www.axis.com/techsupのサポートページに、インストール・管理ソフトウェアツールが用意されています。

複数のIPアドレスを持つ製品は、チャンネル1がアドレス192.168.0.90、チャンネル2がアドレス192.168.0.91などのようなアドレスの持ち方をします。

本製品を工場出荷時の設定にリセットするには、以下の手順を実行します。

1. 本製品の電源を切ります。
2. コントロールボタンを押し続けながら電源を再投入します。「116ページの、ハードウェアの概要」を参照してください。
3. ステータスLEDインジケーターが黄色に点滅するまで、コントロールボタンを15～30秒間押し続けます。
4. コントロールボタンを離します。プロセスが完了すると、ステータスLEDが緑色に変わります。これで本製品は工場出荷時の設定にリセットされました。ネットワーク上に利用可能なDHCPサーバーがない場合、デフォルトのIPアドレスは192.168.0.90になります。
5. インストール・管理ソフトウェアツールを使用して、IPアドレスの割り当て、パスワードの設定、ビデオストリームへのアクセスを行います。

注意

1つのチャンネルを工場出荷時の設定にリセットするには、製品のWebページ上のボタンを使用します。

Webインターフェースを使用して、各種パラメーターを工場出荷時の設定に戻すこともできます。**[Setup - System Options - Maintenance] (設定 - システムオプション - 保守)** を選択し、**[Default] (デフォルト)** をクリックします。

関連情報

- 本書の最新バージョンについては、www.axis.comにアクセスしてください。
- ユーザーズマニュアルは、www.axis.comで入手できます。

- ご使用の製品の新しいファームウェアがリリースされていないかを確認するには、www.axis.com/supportにアクセスしてください。
- 役に立つオンライントレーニングおよびWebセミナーをご用意しております。www.axis.com/academyをご覧ください。

保証情報

Axisの製品保証と関連情報については、www.axis.com/warranty/をご覧ください

安全信息

安装该产品前请仔细通读该安装指南。请保管好安装指南以供以后查阅。

危险等级

⚠ 危险

表示有危险的情形，如果不能避免，将导致死亡或严重的个人伤害。

⚠ 警告

表示有危险的情形，如果不能避免，将导致死亡或严重的个人伤害。

⚠ 小心

表示有危险的情形，如果不能避免，将导致轻微或中度的个人伤害。

注意

表示一种情形，如果不能避免，将导致对财产的损坏。

其它消息等级

重要

表示对于产品正常运行必不可少的重要信息。

备注

表示有助于充分利用产品的有用信息。

安全说明

注意

- 使用该安讯士产品必须符合当地法律法规要求。
- 如要在室外或相似环境中使用该安讯士产品，必须将其安装在符合标准的室外防护罩中。
- 安讯士产品应存放在干燥通风的环境中。
- 应避免对安讯士产品造成冲撞或重压。
- 不得将本产品安装于不稳固的立杆、支架、表面或墙面上。
- 安装安讯士产品时，请使用适用工具。使用电动工具时过度用力可能对产品造成损坏。
- 请勿使用化学制剂、腐蚀性制剂或气雾性清洁剂。
- 使用浸有净水的干净抹布进行清洁。
- 所用附件必须符合该产品的技术规格要求。可由安讯士或第三方供应商提供。
- 必须使用安讯士提供或推荐的零件。
- 请勿试图自己修理该产品。维修事务请联系安讯士支持人员或您的安讯士经销商。

运输

注意

- 安讯士产品运输途中，应使用其原包装或等效包装，以防对产品造成损坏。

电池

该安讯士产品使用一块 3.0 V BR2032 锂电池为内部实时时钟（RTC）供电。正常情况下，该电池可至少使用 5 年。

电池电量不足将影响 RTC 运行，导致其在每次开机时重置。当电池需要更换时，产品的服务器报告中会显示日志消息。关于服务器报告的更多信息，请参考产品的设置页面或联系安讯士支持人员。

如非需要请勿更换电池！电池必须更换时，请联系安讯士支持人员寻求帮助，网址 www.axis.com/techsup。

3.0 V 锂纽扣电池包含 1,2-二甲氧基乙烷；乙二醇二甲醚 (EGDME)，CAS 号为 110-71-4。

警告

- 电池更换不当将引发爆炸危险。
- 请务必使用相同或安讯士推荐的电池进行更换。
- 请按照当地法规或电池制造商的说明来处理废旧电池。

安装指南

本安装指南提供网络安装 AXIS F44 双音频输入主单元的说明。有关使用该产品的其他信息，请参见用户手册，网址：www.axis.com

安装步骤

1. 确保安装必需的包装内容、工具和其它材料井然有序。参见 [第137页](#)。
2. 研究硬件概述。参见 [第138页](#)。
3. 研究规格。参见 [第143页](#)。
4. 安装硬件。参见 [第149页](#)。
5. 访问产品。参见 [第150页](#)。

包装内容

- AXIS F44 双音频输入主单元
- 立体声转单声道适配器
- 2-针电源连接器
- 6-针 I/O 连接器
- 5-针 RS232 连接器
- 印刷资料
 - 安装指南（本文档）
 - 随附的序列号标签(2x)
 - AVHS 身份认证密钥

推荐的工具

- Torx 螺丝刀 T20 用于移除塑料底盖

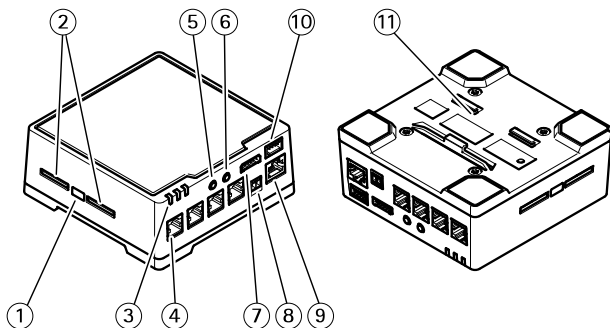
可选附件

- AXIS F8001 表面贴装支架（带有应变释放功能）

- AXIS F8002 DIN 导轨夹

如欲了解有关可用附件的信息，请访问 www.axis.com

硬件概览



1. 控制按钮
2. SD 卡插槽
3. LED (电源、状态、网络)
4. RJ12 接口 (4x)
5. 音频输入
6. 音频输出
7. I/O 接口
8. 电源接口
9. 网络接口 (PoE)
10. RS232 接口
11. 塑料底板

缩短传感器单元线缆的长度

备注

- 传感器单元线缆不可延长或分割。
- 布置传感器单元线缆时最小的弯曲半径为 40 毫米。

传感器单元交付时配有缆线。如欲缩短缆线长度，请执行以下步骤：

1. 将缆线切至所需长度。从传感器单元进行测量。
2. 剥离线缆末端的外部塑料涂层。
3. 揭开护罩。
4. 按照下面的顺序，使彩色线保持平整。

1	棕色
2	白色/棕色
3	未使用
4	未使用
5	白色/蓝色
6	蓝色

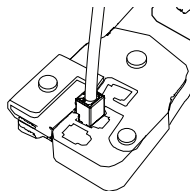
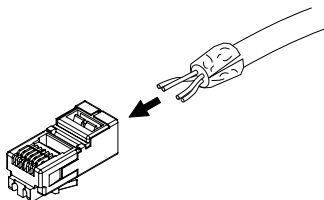
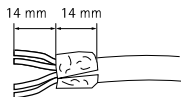
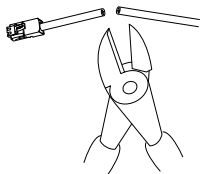
5. 将线一直插入屏蔽的 6P6C RJ12 接口。

注意

请确保各条线保持正确顺序，而且线缆护罩与接口护罩有效接触。

6. 使用压接工具将接口紧固至线缆上。

AXIS F44 Dual Audio Input



LED 指示灯

备注

- LED 状态指示灯可被配置为在工作正常时不亮。进行配置请访问**设置 > 系统选项 > 端口和设备 > LED**。如欲了解更多信息，请参见在线帮助。
- LED 状态指示灯可被配置为在事件激活状态下闪烁。
- LED 状态指示灯可被配置为识别装置时闪烁。访问**设置 > 系统选项 > 维护**。

LED 状态指示灯	指示
绿色	绿灯常亮表示工作正常。
淡黄色	启动时常亮。恢复设置时闪烁。

备注

当网络流量活跃时，可禁用 LED 网络指示灯，以免其闪烁。进行配置请访问 **设置 > 系统选项 > 端口和设备 > LED**。如欲了解更多信息，请参见在线帮助。

LED 网络指示灯	指示
绿色	常亮表示连接到 100 Mbit/s 网络。闪烁表示网络活动。
淡黄色	常亮表示连接到 10 Mbit/s 网络。闪烁表示网络活动。
不亮	无网络连接。

LED 电源指示灯	指示
绿色	工作正常。
淡黄色	固件升级过程中呈绿色/淡黄色闪烁。

接口和按钮

规范和工作条件方面的信息请参见第 143 页。

网络接口

RJ45 以太网接口，支持以太网供电 (PoE)。

注意

产品应当使用屏蔽网线 (STP) 进行连接。将产品连接至网络的所有线缆必须使用专用线缆。确保网络设备按照制造商的说明进行安装。有关监管要求的信息，请参见 *Electromagnetic Compatibility (EMC) 2*。

I/O 接口

与外部设备联合使用，例如：用于面向防篡改告警、移动探测、事件触发、延时录像及报警通知的应用。除了 0 V 直流参考点和电源（直流输出），I/O 接口还提供以下接口：

- **数字输出**—用于连接外部设备，如继电器和 LED 灯。已连接设备可通过 VAPIX® 应用编程接口（API）、Live View（实时视图）页面上的输出按钮或 Action Rule（操作规则）激活。当警报设备被激活后，该输出接口将显示为激活（显示在 **系统选项 > 端口和设备** 下）。
- **数字输入**—面向连接设备的报警输入，可在开放和闭合线路间切换，例如：PIR、门/窗触点以及玻璃破碎探测器等。当接收到信号时，状态发生变化，而且输入接口变成激活状态（显示在 **系统选项 > 端口和设备** 下）。

电源接口

2 针接线端子用于电源输入。使用符合安全超低压（SELV）规定，且额定输出功率 ≤ 100 W 或额定输出电流 ≤ 5 A 的有限电源（LPS）。

音频接口

安讯士产品具有以下音频接口：

- **音频输入**—3.5 毫米输入用于两个单声道麦克风，或两路线路输入单声道信号（使用随附的立体声转单声道适配器）。
- **音频输出**—3.5 毫米音频输出（线路电平），可连接到公共广播（PA）系统或带有内置放大器的有源扬声器。必须使用立体声接口进行音频输出。

RS232 接口

用于 RS232 串行接口的 5 针接线端子，可用于控制辅助设备。使用 RS232 端口需要支持安讯士摄像机应用平台的第三方应用。

RJ12 接口

RJ12 接口用于将传感器单元连接至主单元。有关如何缩短传感器单元长度的信息，请参见 *缩短传感器单元线缆的长度* 在第139页。

SD 卡插槽

注意

- SD 卡损坏的风险。插入或移除 SD 卡时，切勿使用尖锐工具、金属物体或用力过度。使用手指插入和移除卡。
- 数据丢失和录制内容损坏风险。产品运行时，请勿移除 SD 卡。在移除之前，断开电源或从安讯士产品网页中卸载 SD 卡。

该产品支持 SD/SDHC/SDXC 卡（不含）。

有关 SD 卡建议的更多信息，请访问 www.axis.com

控制按钮

有关控制按钮的位置信息，请参见 *硬件概览* 在第138页。

控制按钮用于：

- 将产品重置为出厂默认设置。参见 第150页。
- 连接至安讯士视频托管系统服务或安讯士互联网动态 DNS 服务。有关这些服务的更多信息，请参见用户手册。

规格

该安讯士产品为室内使用而设计。

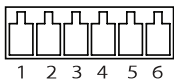
AXIS F44 Dual Audio Input

分类	温度	湿度
IEC/EN 60529	-30 ° C 至 60 ° C (-22 ° F 至 140 ° F)	10-85% 相对湿度 (无冷凝)

接口

I/O 接口

6-针接线端子



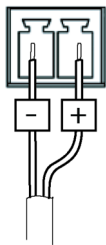
如欲获取示例图表，请参见 *连接图* 在第148页。

功能	引脚	注释	规格
0 V DC (-)	1		0 V DC
DC 输出	2	可用于为辅助设备供电。 注：此针仅可用作电源输出。	12 V DC 最大负载 = 50 mA

可配置 (输入或 输出)	3-6	数字输入- 连接到针脚 1 以启用或断开连接 (未连接) 以停用。	0 至最大 30 V DC
		数字输出 - 启用后连接至针脚 1, 停用后断开连接 (未连接)。如果与继电器等电感负载一起使用, 必须将二极管与负载并联, 以防止电压瞬变。	0 至最大 30 V DC, 开漏, 100 mA

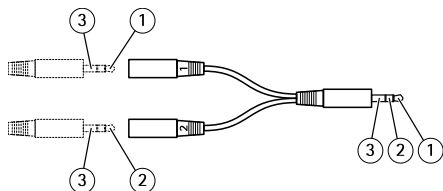
电源接口

2 针接线端子用于 DC 电源输入。使用符合安全超低压 (SELV) 规定, 且额定输出功率 $\leq 100\text{ W}$ 或额定输出电流 $\leq 5\text{ A}$ 的有限电源 (LPS)。



音频接口

输入: 3.5 毫米音频接口 (立体声)



1	2	3
音频 1 麦克风/线路输入	音频 2 麦克风/线路输入	接地

输出: 3.5 毫米音频接口 (立体声)



1 顶端	2 环	3 套
线路输出 (单声道)		接地

RS232 接口

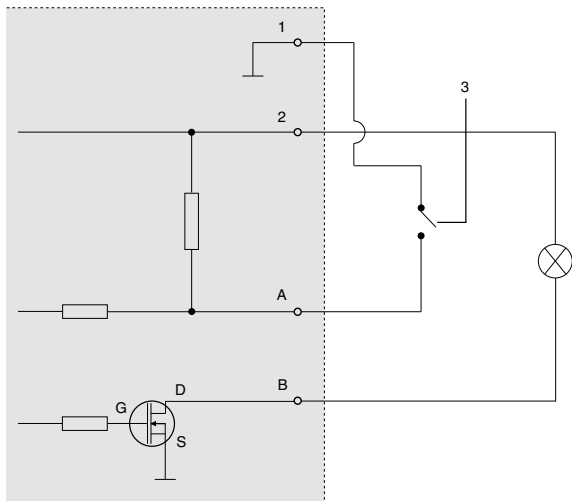
用于 RS232 串行接口的 5 针接线端子，可用于控制辅助设备。使用 RS232 端口需要支持安讯士摄像机应用平台的第三方应用。该端口可用于如下模式：

- 2TX/2RX RS-232 接口 (TXD, RTS, GND, CTS, RXD)

功能	针脚	注释
RS232 TD	1	RS232 驱动程序输出
RS232 RTS	2	
RS232 GND	3	接地
RS232 CTS	4	RS232 接收器输入
RS232 RD	5	

连接图

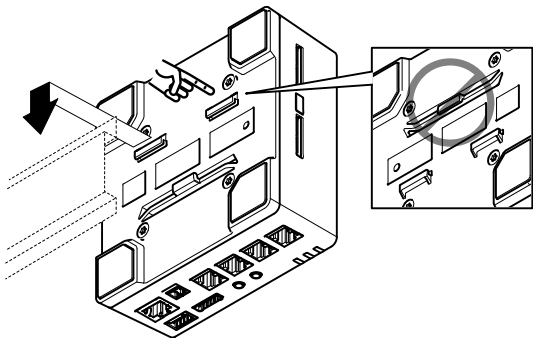
I/O 接口



- 1 0 V DC (-)
- 2 DC 输出 12 V, 最大 50 mA
- 3 示例: 按键
- A I/O 配置为输入
- B I/O 配置为输出

安装硬件

该主单元可放置于桌子的桌面上，或安装在 DIN 导轨上。为方便从顶部或侧面布线，可移除 4 个螺钉 (Torx T20)，并适当调整单元下方的底板（请参见 *硬件概览* 在第 138 页）。请访问 www.axis.com，了解可选附件。



1. 若需要，请按住释放虚拟 SD 卡，将 SD 内存卡插入 SD 内存卡插槽。
2. 安装网络线缆，将主单元连接至网络。
3. 使用 RJ12 线缆将传感器单元连接至主单元。
4. 若需要，将 AC/DC 电源连接至电源接口。
5. 若需要，使用 6-针 I/O 连接器安装 I/O 线缆，连接外部输入/输出设备。
6. 若需要，安装音频线缆，连接有源扬声器/外部麦克风。
7. 若需要，安装 RS232 线缆，连接至辅助设备。

访问产品

AXIS IP Utility 和 AXIS Camera Management 推荐用于查找网络上的安讯士产品，并在 Windows 中为它们分配 IP 地址®。两款应用都免费提供，并可在下列网址中下载：www.axis.com/techsup

该产品可配合多数操作系统和浏览器使用。我们推荐使用下列浏览器：

- Internet Explorer® (搭配 Windows) ®
- Safari® (搭配 OS X) ®
- Chrome™ 或 Firefox® (搭配其他操作系统) 。

有关使用该产品的更多信息，请参见用户手册，网址：www.axis.com

重置为出厂默认设置

重要

重置为出厂默认设置应慎用。重置为出厂默认设置将把所有设置重置为出厂默认值，包括 IP 地址。

备注

安装和管理软件工具可通过以下网站中的支持页面获取：www.axis.com/techsup

对于有多个 IP 地址的产品，通道 1 的地址为 192.168.0.90，通道 2 的地址为 192.168.0.91，依此类推。

要将产品重置为出厂默认设置，请执行以下操作：

1. 断开产品电源。
2. 按住控制按钮不放，重新连接电源。请参见 *硬件概览* 在第 138 页。
3. 按住控制按钮 15–30 秒的时间，直至 LED 状态指示灯闪烁淡黄色。

4. 松开控制按钮。当 LED 状态指示灯变为绿色时，结束此过程。该产品已重置为出厂时的默认设置。如果网络上没有可用的 DHCP 服务器，则默认的 IP 地址为 192.168.0.90。
5. 借助安装和管理软件工具，分配 IP 地址，设置密码及访问视频流。

备注

如欲将单个通道重置为原始出厂默认设置，请使用该产品网页中的按钮。

也可通过 Web 界面将参数重置为出厂默认设置。访问 **设置 > 系统选项 > 维护**，并点击 **默认**。

更多信息

- 有关本文档的最新版本，请访问 www.axis.com
- 如欲查阅用户手册，请访问 www.axis.com
- 检查是否有可供您产品使用的更新固件请访问 www.axis.com/support
- 有关有用的在线培训和网络研讨会的信息请访问 www.axis.com/academy

保修信息

有关安讯士产品保修的信息及与之相关的信息，请访问 www.axis.com/warranty/

Installation Guide

AXIS F44 Dual Audio Input

© Axis Communications AB, 2016

Ver. M1.2

Date: July 2016

Part No. 1629191