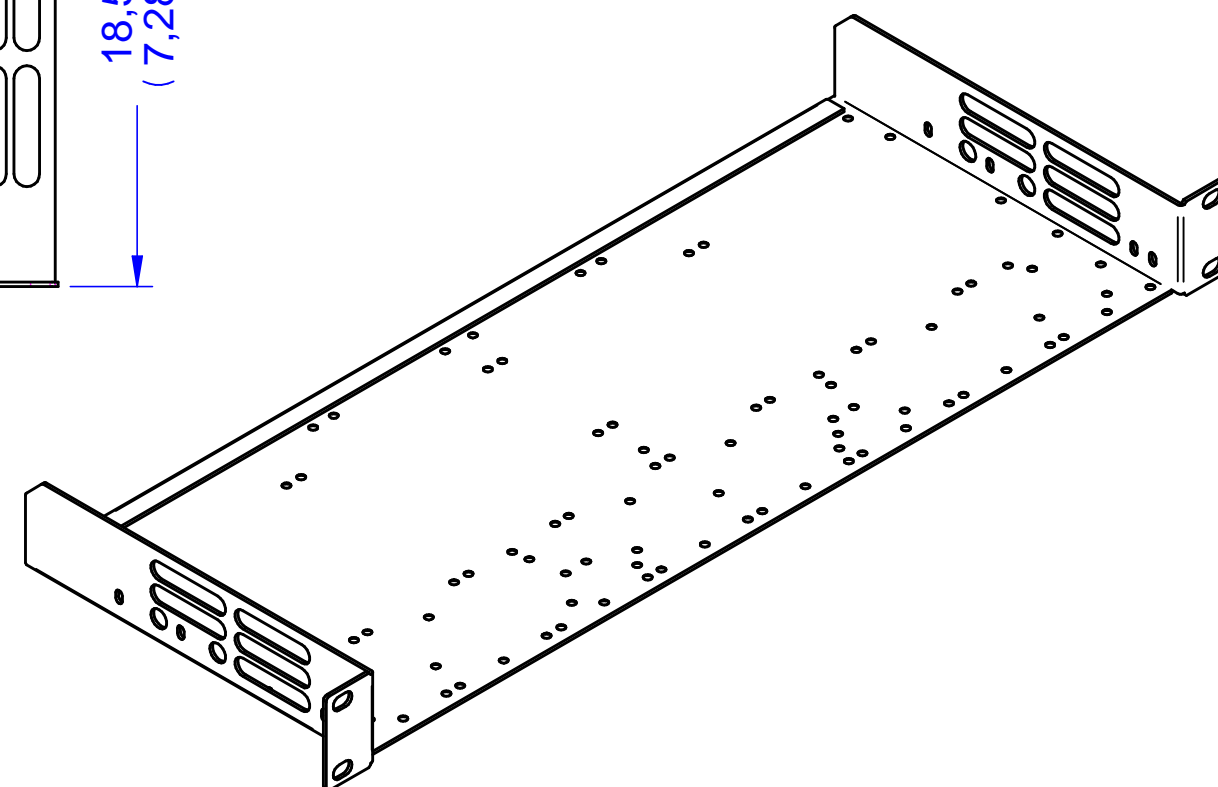
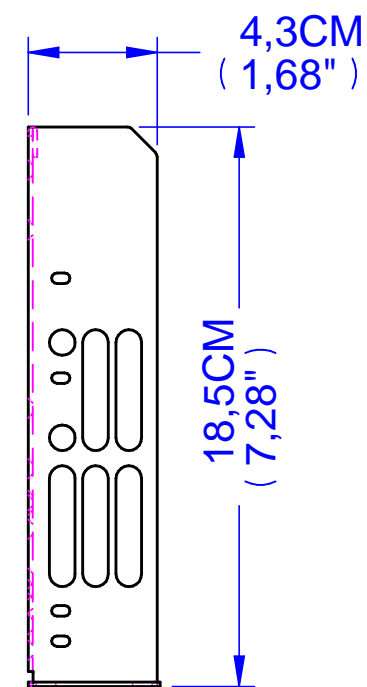
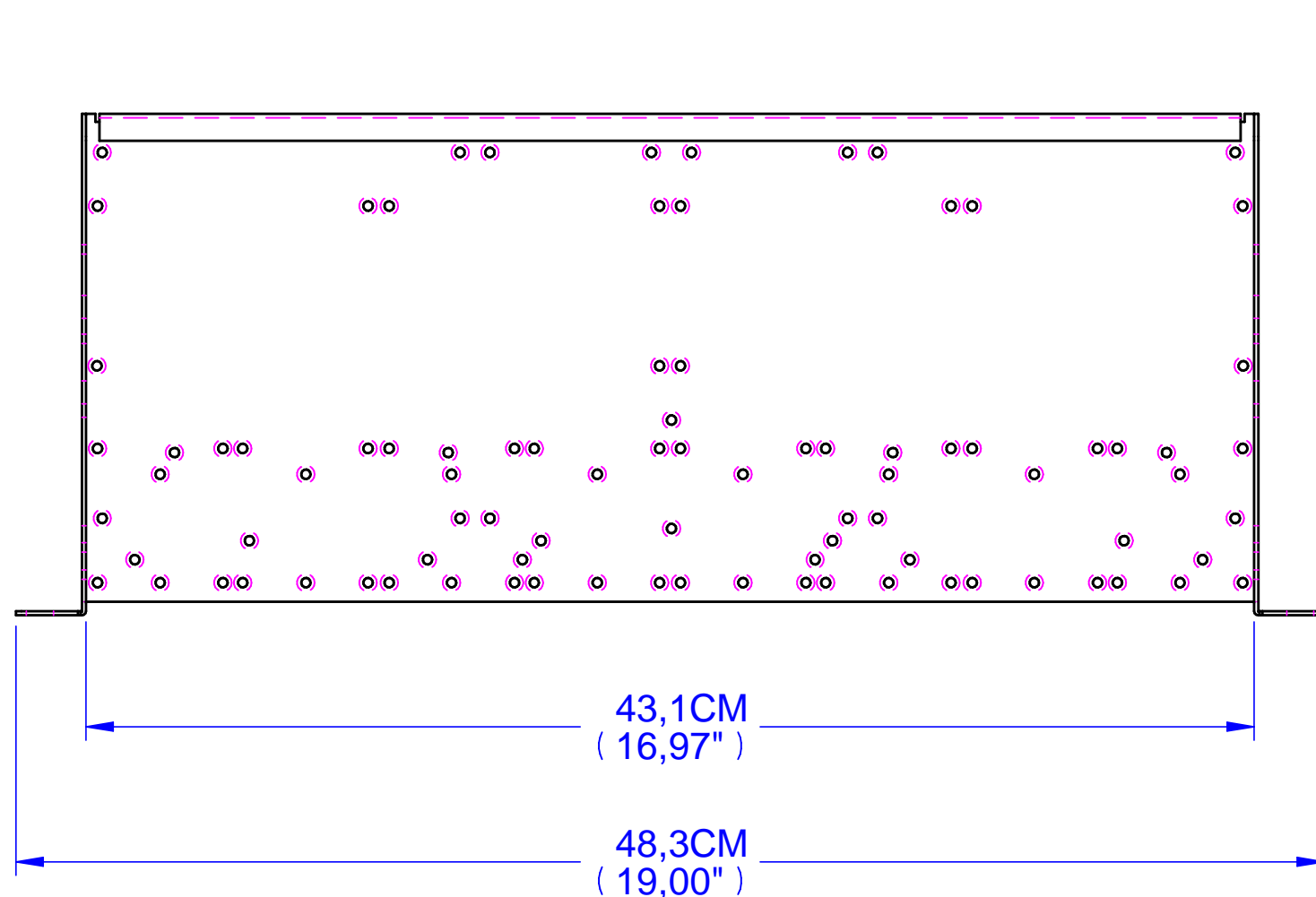
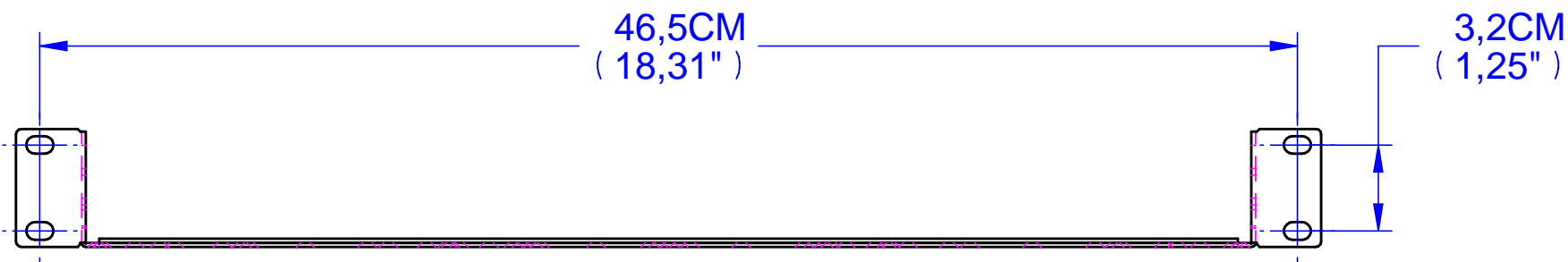

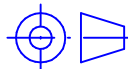


REVISION HISTORY

REV	DESCRIPTION	ECO NO.	DATE	APPROVED
1	PRELIMINARY		DD . MM . YY	



	NAME	DATE	 KRAMER ELECTRONICS LTD. JERUSALEM, ISRAEL
DRAWN	ihassidim	16/Feb/14	
CHECKED			
ENG APPR			
MGR APPR			PART: RK-1-OUTLINE
UNLESS OTHERWISE SPECIFIED DIMENSIONS ARE IN MILLIMETERS ANGLES ±0.5° LINEAR ±0.2 HOLES ±0.2			SIZE A3 KRAMER P.N.: RK-1-OUTLINE File name: RK-1-OUTLINE.dft
			REV 1 Project: RK-1 Sheet 1 of 1