



C2G[®]
A brand of **legrand**[®]

USB-C[®]/HDMI[®] 3-Input Combo to HDMI 1-Output KVM with Power Delivery - 4K 60Hz

DATA SHEET

Provides flexibility, allowing you to easily switch between three computing devices using a single keyboard, display, and mouse.

OVERVIEW

This USB-C/HDMI 3-Input Combo to HDMI 1-Output KVM provides flexibility, allowing you to easily switch between three computing devices using a single keyboard, display, and mouse – making it ideal for accessing multiple devices while freeing up desk space, reducing the number of keyboards, displays, and mice needed. Whether in the office or working from home, this KVM switch allows you to maximize your productivity.

This KVM switch supports a single USB-C enabled computer, tablet, or phone, as well as 2 HDMI enabled computers, streaming players, gaming systems, and set-top boxes. Besides sharing a keyboard, display, and mouse, you can also share webcams, printers, USB flash drives, and additional USB hubs.

The KVM also supports USB-C power delivery up to 100W, resolutions up to 4K at 60Hz, HD digital audio, and CEC pass-through over HDMI.

The KVM can be manually controlled by pressing the switch button or use the auto switch and memory switch functions. When a source device is turned on, the switch automatically detects and switches to that device's input. The built-in power-off memory function automatically remembers the last connected device.

Note: Pair this KVM switch with your computer's existing USB-C power adapter or add a power solution using our 60W USB-C Power Adapter (C2G54441) and 3.3ft USB-C 3.2 Gen 2 Cable (28848).

FEATURES

- Supports resolutions up to a 4K at 60Hz and High Dynamic Range (HDR), for viewing Ultra HD content
- USB-C power delivery up to 100W to keep your laptop charged, using the USB-C power adapter of the connected computer if available
- DTS HD, Dolby TrueHD digital audio compliant, for lossless high-definition audio playback
- Auto switch function and switching memory position offers quick, easy access to connected devices
- Plug-and-play with no software or drivers required

ITEM DESCRIPTION

C2G54541 USB-C[®]/HDMI[®] 3-Input Combo to HDMI 1-Output KVM with Power Delivery - 4K 60Hz

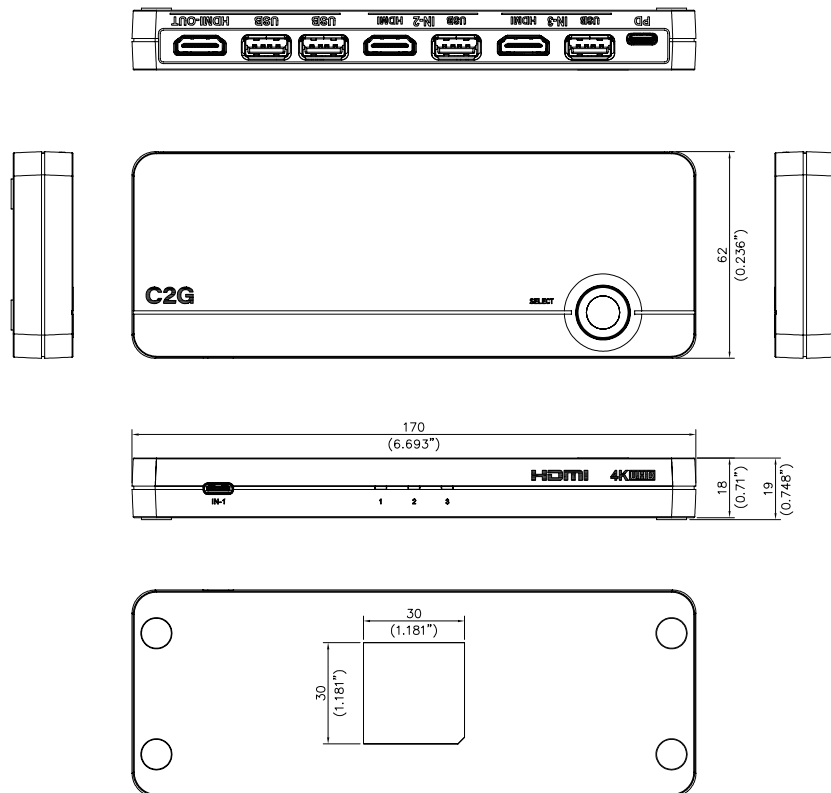
GENERAL SPECIFICATIONS

- Number of computing devices Supported: 3
- Video Signal Support: USB-C and HDMI
- Maximum Video Resolution: 4K @ 60Hz
- Audio Signal Support: DTS HD, Dolby TrueHD
- Switching Method: Manual or auto switching

PHYSICAL CHARACTERISTICS

- Housing Material: ABS
- LED Light Indication:
 - Solid Blue: Indicates which connected computer to devices is currently selected.
 - If Channel 1 is selected, the "1" LED light will be on

- Connectors:
 - HDMI (19-Pin) Female; Nickel Plated
 - USB-A (5-Pin) Female; Nickel Plated
 - USB-C DP ALT Mode (24-Pin) Female; Nickel Plated
 - USB-C Power Delivery 3.0 (16-Pin) Female; Nickel Plated
- Cables Included:
 - 2x USB-A 2.0; Black; 28AWG; Bend Radius: 21mm; Jacket Rating: VW-1; Cables Length: 4ft
- Operating Temperature: 0° to +50°C; 50% Relative Humidity (Non-Condensing)
- Storage Temperature: -20° to +60°C; 50% Relative Humidity (Non-Condensing)
- Unit Dimensions (LxWxD): 170mm x 62mm x 18mm
- Product is CE, FCC, UK CA Marked and conforms to 2011/65/EU ROHS



LEGRAND | AV COMMERCIAL BRANDS

C2G | Chief | Da-Lite | Luxul | Middle Atlantic | Vaddio | Wiremold

SIMPLIFIED CONNECTIVITY

USA 800.506.9607 | c2g.com | legrandav.com | customer-service@c2g.com

EMEA +31 495 580 840 | c2g.com/uk | legrandav.com | c2g.emea@av.legrand.com

©2023 Legrand AV Inc. 230069 Rev A 2/23 C2G is a registered trademark of Legrand AV Inc. All other brand names or marks are used for identification purposes and are trademarks of their respective owners. All patents are protected under existing designations. Other patents pending.