

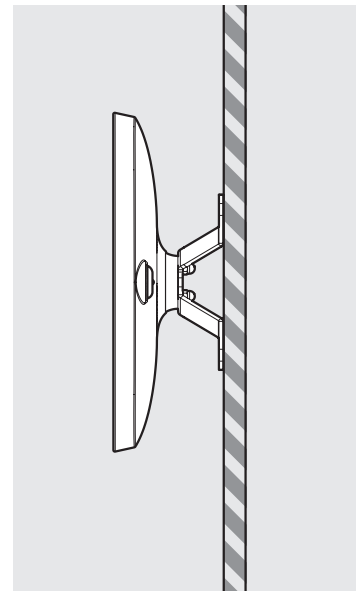
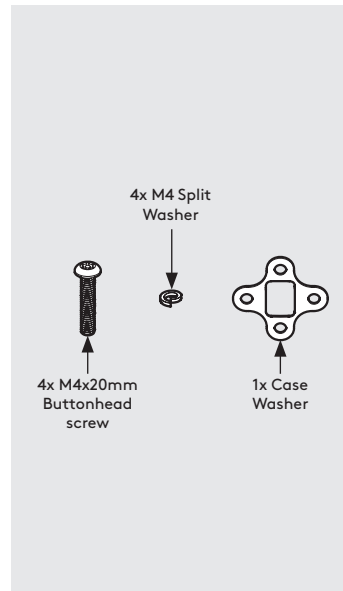
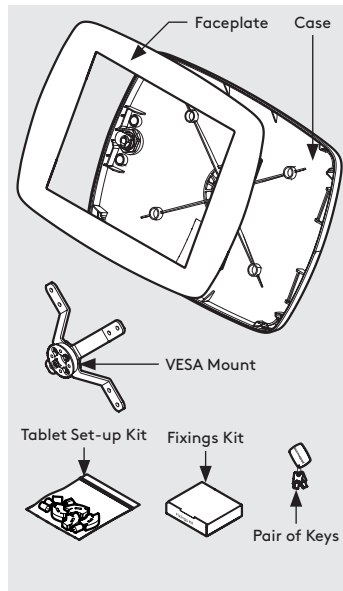
## VESA

### Assembly Instructions

#### Tools Required:

- Pencil
- Electric Drill
- 2.5mm Drillbit
- Socket Driver

*\*if fixing to a surface*



Sheet Code: BP-IM-036\_REV1

Release Date: 25/09/2019

Copyright 2016 Spotspot Ltd. (T/A Bouncepad) all rights reserved. Confidential, no part of this publication may be reproduced or transmitted in any form without the written permission of the copyright holder.

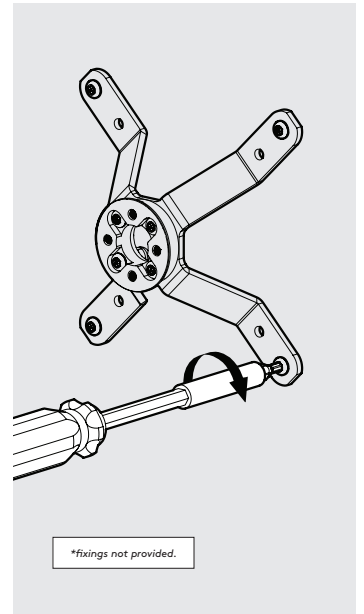
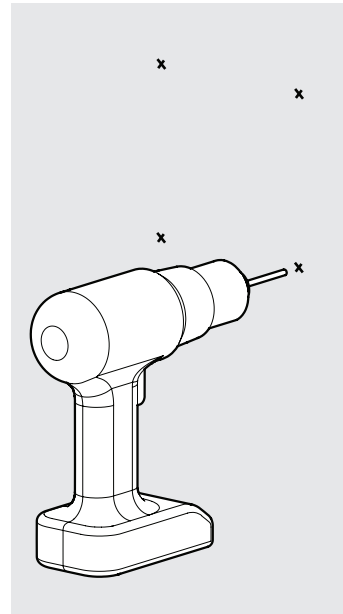
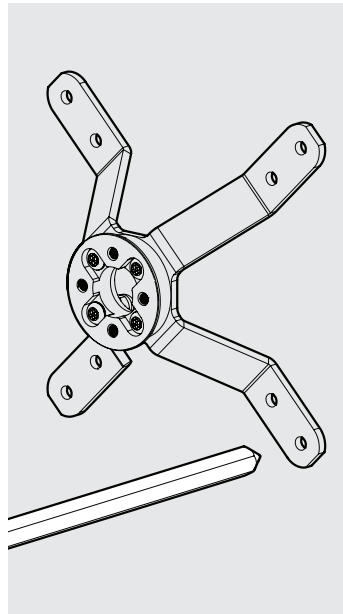
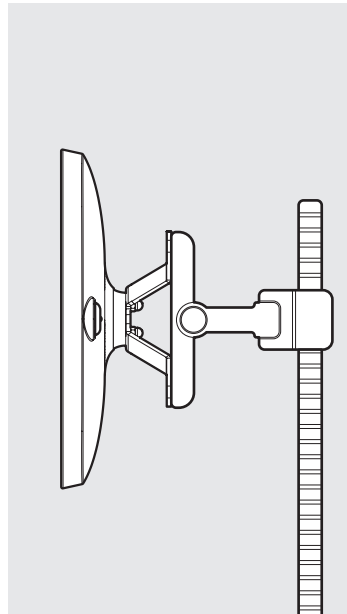


#### Fixings List

*\* Due to the modular nature of our product range you may receive additional fixings in the fixings kit*



Follow steps A if "Fixing to a surface".

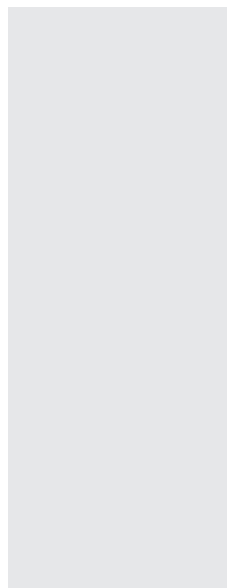


**B** Follow steps A if "Fixing to a surface".

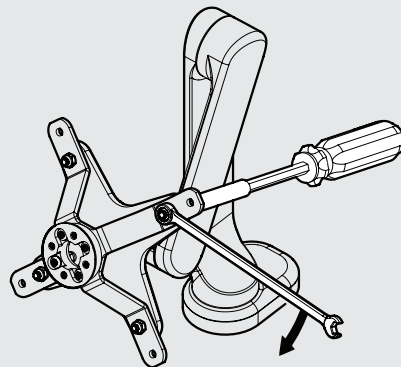
**A1** Position & mark where the VESA is to be located. Ensure the VESA is level.

**A2** Drill the fixing holes in your surface.

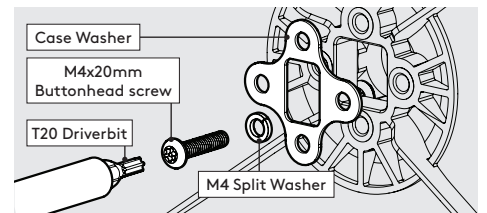
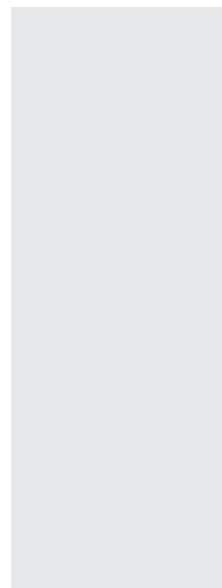
**A3** Secure the Bouncepad VESA mount to the mounting surface.



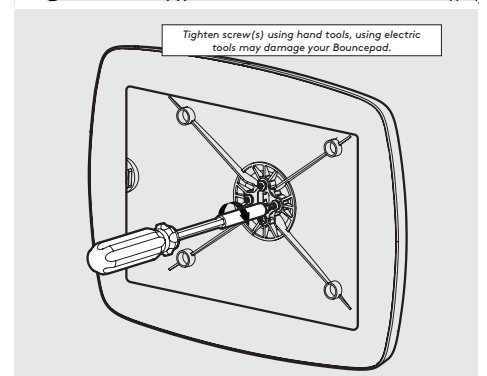
\*Bouncepad VESA mount is compatible with 75x75mm and 100x100mm VESA mounting configurations.



\* Bouncepad VESA to third party VESA mount fixings not provided. Image shown for illustrative purposes & may bear zero resemblance to fixings specified for your VESA mount. Refer to specifications provided by the third party VESA mount for the recommended fixings.



*Tighten screw(s) using hand tools, using electric tools may damage your Bouncepad.*

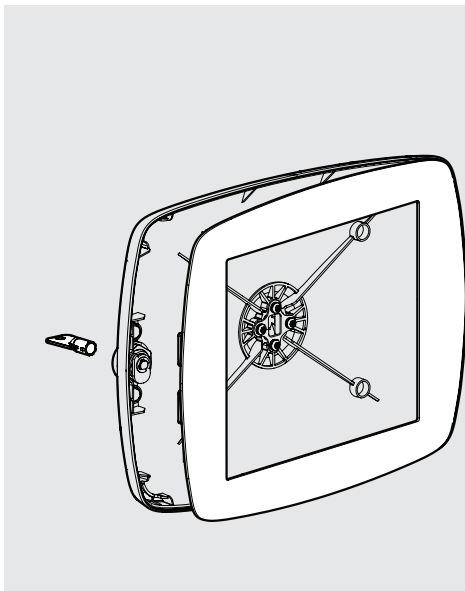


**A4** Go to step 1.

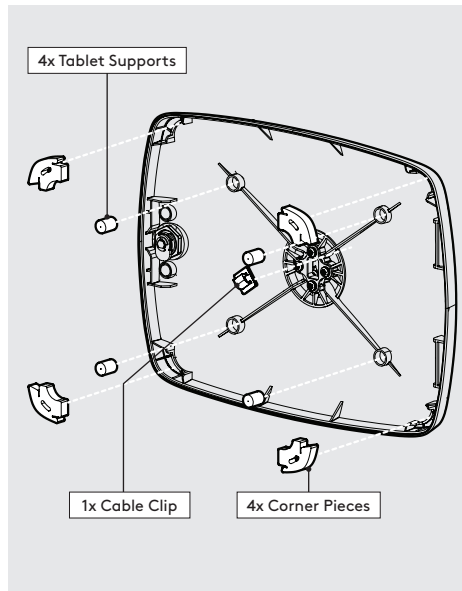
**B1** Secure the Bouncepad VESA mount to VESA mounting bracket

**B2** Go to step 1.

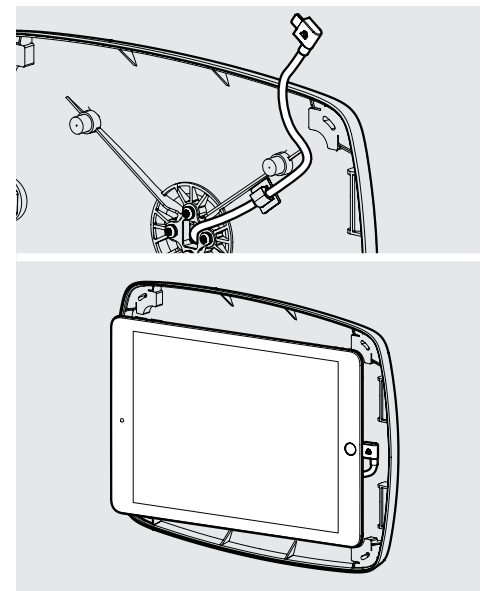
**1** Attach the Bouncepad Case to the Mounting Arm. Take care to ensure correct & full thread engagement.



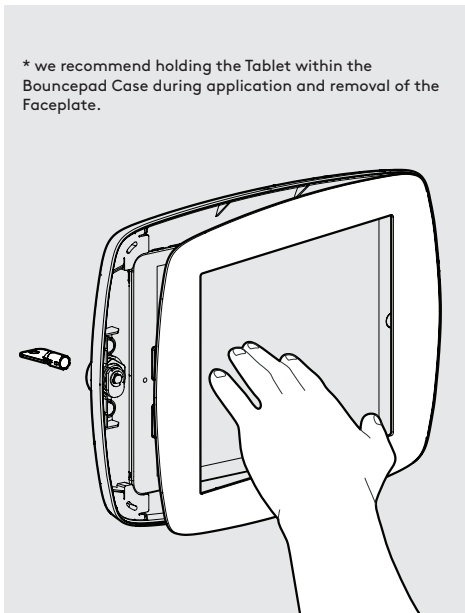
**2** Unlock & remove the Faceplate from the Bouncepad Case.



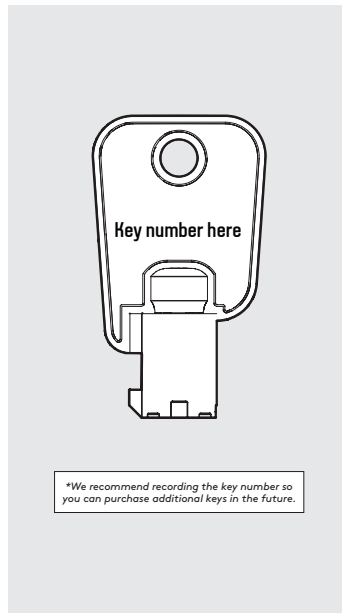
**3** Install the Tablet Setup Kit. Each kit is specific per tablet device and Bouncepad Case.



**4** Feed the tablet cable through the Case. Connect it to its power supply. Install your tablet into the case.



**5** Locate & lock the Faceplate onto the Bouncepad Case.



**6** Installation is now complete.