

UC-MX50-Z

Crestron Flex Advanced Tabletop Medium Room Video Conference System with ASUS® Mini PC for Zoom Rooms™ Software



- *Tabletop video conferencing solution for Zoom Rooms™ software*
- *Present, call, conference, and collaborate using your own device's UC conference platform (BYOD) or the native Zoom Rooms™ platform*
- *Native Zoom Rooms™ touch screen UI provides a consistent, simple user experience with one-touch meeting joins*
- *Complete kit contains a Crestron Flex tabletop conference device, collaboration camera, UC bracket assembly, power supply, and cables — just add a display and mount*
- *Easy to specify and install — no custom design, programming, or software installation required*
- *Network management and provisioning and system alerts through the XiO Cloud® service*
- *Premium-level support with Crestron Flex Care (optional)*
- *Enterprise-grade security - connects and communicates securely over any enterprise or SMB network*
- *Supports single or dual video displays (not included)*

The UC-MX50-Z Crestron Flex advanced tabletop conferencing system provides a medium room video conference solution for use with Zoom Rooms™ software. It supports single or dual video displays¹ (not included) and features a Crestron Flex tabletop conference device, collaboration camera, UC bracket assembly, power supply, and cables.

Native Zoom Rooms™ Software Experience

The UC-MX50-Z system features Zoom Rooms conferencing software that enables audio and video connectivity for easy collaboration and content sharing.

Intuitive User Interface with Impressive Audio

With a large 7 in. HD color touch screen and an integrated AEC-enabled USB speakerphone that affords full-duplex wideband audio performance, the Crestron Flex Tabletop Conference device (CCS-UC-1-X) provides a superior conferencing and collaboration experience for meeting rooms, huddle spaces, and executive offices.

Simplified Deployment

The UC Bracket Assembly provides preassembled components on one ready-to-mount bracket to simplify installation. The assembly can be mounted on a wall, or it can be attached to the rear of the display device.

High-Definition Video Conferencing

The included collaboration camera (CCS-CAM-USB-F-400) features an ultra wide-angle 150° diagonal field of view to capture an entire conference room in Full HD 1080p video resolution. High precision aspherical optics, 12 MP CMOS sensor, and advanced video processing ensure a clear video image free from light or noise artifacts. Genius Framing digital autozoom detects the people in the room and frames them for an optimal view.

Bring Your Own Device (BYOD)

Conference room visitors can connect their laptop to the Crestron Flex system to use their own UC conference platform. The system's built-in content ingest device switches to the connected laptop's UC platform and returns to the native platform when disconnected.

Enterprise-Grade Security

Crestron Flex is an enterprise-grade solution that is ideally equipped for mass deployment throughout any sized corporate, university, medical, military, or government facility.

Easy Provisioning and Device Management

The XiO Cloud service is an IoT cloud based provisioning service (available separately) that enables installers and IT managers to easily deploy and manage thousands of devices. The XiO Cloud service provides system alerts, network management and provisioning, and the pairing of a control device to the system's UC Engine. System updates are controlled by Windows® software update.

Visit www.crestron.com/xiocloud for additional information.

Premium-Level Support

Crestron Flex Care is an optional subscription service that automatically renews annually, providing 24/7 live remote technical support, an extended five year warranty on

UC-MX50-Z

Crestron Flex Advanced Tabletop Medium Room Video Conference System with ASUS® Mini PC for Zoom Rooms™ Software

Crestron® branded hardware, expedited advance replacements, and a discounted rate for on-site support.

Visit www.crestron.com/flexcare for detailed terms and conditions and additional information.

Deployment Resources

View the [Crestron Flex Pre-Deployment Checklist](#) to help plan your Crestron Flex installation.

Specifications

Included Components

CCS-UC-1-X	Crestron Flex tabletop conferencing device: <ul style="list-style-type: none">PW-2420RU: Universal power supply and power cordCable, CAT5e, RJ-45-to-RJ-45, 12 ft (3.66 m);Cable management hardware
UC-BRKT-250-P-Z-ASSY	UC Bracket Assembly comprised of: <ul style="list-style-type: none">UC Engine: ASUS Mini PC with Zoom Rooms videoHD-CONV-USB-250: HDMI® over CAT5 to USB 3.0 converter for content ingestMounting hardwareEDID Passthroughs: (2) HDMI Female-to-Male
CCS-CAM-USB-F-400	Collaboration Camera
CBL-4K-DP-HD-6	DisplayPort™ to HDMI Cable, 6 ft (1.8 m)
CBL-CAT5E-7	Ethernet LAN cable for UC Engine, RJ-45-to-RJ-45, black, 7 ft (2.1 m)
CBL-HD-6	HDMI Interface Cable, 6 ft (1.8 m)
CBL-HD-THIN-HS-6	Thin HDMI cable for connecting display device, Type A male-to-male, 6 ft (1.8 m)
CBL-USB-A-BMICRO-6	USB Cable, USB Type A Male to Micro-B Male cable, 6 ft (1.8 m)
CBL-USBC-USBA-6	USB 3.0 Cable, Right angle USB-C® to A, 6 ft (1.8 m)

DM-CBL-ULTRA-PC-20	(2) Ethernet LAN cable, CAT6a, RJ-45-to-RJ-45, blue, 20 ft (6.1 m)
UC-CAM-WMK	Wall Mount Kit for Crestron® Cameras

Crestron Flex tabletop conferencing device

Touch Screen	7 in. (178 mm) diagonal capacitive multi-touch TFT active matrix color LCD, 1280 x 800 pixels
UI	Zoom Rooms UI
Mic Mute Symbol and Light Bar	(2) Capacitive buttons with bi-color LEDs, either button toggles between mute and unmute
AEC	Limes Audio TrueVoice® acoustic echo cancellation, automatic mic mixing, automatic gain control, and dynamic noise reduction, full-duplex IEEE 1329 Type 1 compliant
Speaker	Full range speaker; Amplifier Power: 11 W; 95 dB SPL at 0.5 m maximum output; Frequency Response: 90 Hz to 22 kHz
Microphones	360° quad mic array; Pickup Range (typical): 20 ft (6 m)
Extension Microphones	Supports two mic pods, model CCS-UCA-MIC (sold separately)
Occupancy Sensor	6 ft (1.83 m) PIR range in front of touch screen
Ethernet	100 Mbps, auto-switching, autonegotiating, autodiscovery, full/half duplex, DHCP, TCP/IP, UDP/IP, CIP, SSL, TLS, SSH, SFTP (SSH File Transfer Protocol), SRTP, IEEE 802.1X, Active Directory authentication, digest access authentication, password login, XiO Cloud service, Microsoft Intune® client
USB	USB 2.0 micro Type B device port, supports UAC for audio interface to UC Engine (cable included)
Power	24VDC via external 100-240VAC, 50/60 Hz power pack, model PW-2420RU
Dimensions	Height: 4.11 in. (104 mm) Width: 8.92 in. (227 mm) Depth: 12.74 in. (324 mm)
Weight	5.5 lb (2.5 kg)

NOTE: The CCS-UC-1-X cannot be powered by Power over Ethernet or PoE+.

UC-MX50-Z

Crestron Flex Advanced Tabletop Medium Room Video Conference System with ASUS® Mini PC for Zoom Rooms™ Software

Camera

Image Sensor	12 Megapixel 1/2.3 CMOS sensor
Lens	High precision, ultra wide angle, six element aspherical glass lens
Field of View	150° diagonal, 120° horizontal, 90° vertical
Aperture	f/2.8
Autozoom	Genius Framing automatic lossless digital zoom intelligently frames around people in the room
Connectivity	Plug-and-play USB 3.1
Resolution/FPS	HD 1080p @ 30 fps
Dimensions	Height: 1.40 in. (36 mm) Width: 1.60 in. (41 mm) Depth: 2.82 in. (72 mm)
Weight	4.2 oz (120 g)

UC Bracket Assembly

UC Engine	Mini PC, Intel Core® processor with Windows® 10 IoT Edition OS and 100/1000 Mbps Ethernet connectivity
UC Client	Zoom Rooms software
Management Client	XiO Cloud Service
Content Ingest	HDMI input via CAT5 to USB 3.0 converter (model HD-CONV-USB-250)

NOTE: Use only DigitalMedia™ Ultra cable between the conference and content ingest devices. The maximum supported cable length is 300 ft.

Display Output	Single or dual display support ¹
Display Output Resolution	1080p
Power	UC Engine: 90 W via external 100-240VAC, 50/60 Hz adapter (included); HD-CONV-USB-250: 24VDC via external 100-240VAC, 50/60 Hz power pack (included)
Construction	Metal mounting bracket, black, preassembled with UC Engine and CAT5 to USB 3.0 content ingest device (HD-CONV-USB-250)

Mounting

Surface wall mount behind the display device, or attach to the rear of the display device via the bolts attaching the display to a VESA® compliant display mount; Bracket includes mounting holes on both side edges, spaced 100, 200, and 300 mm vertically, to allow for attachment to either side of the display mounting plate

Dimensions

Height: 15.00 in. (381 mm)
Width: 14.50 in. (368 mm)
Depth: 1.72 in. (44 mm)

Weight

6.64 lb (3 kg)

Model

UC-MX50-Z

Crestron Flex Advanced Tabletop Medium Room Video Conference System with ASUS® Mini PC for Zoom Rooms™ Software

Available Accessories

For a list of available accessories, visit the [UC-MX50-Z](#) product page.

Notes:

1. Display must support "Wake on Sync" and "Sleep on No Sync" functionality. Consult the display manufacturer's specifications or internal settings of the specific display.

UC-MX50-Z

Crestron Flex Advanced Tabletop Medium Room Video Conference System with ASUS® Mini PC for Zoom Rooms™ Software

This product may be purchased from select authorized Crestron dealers and distributors. To find a dealer or distributor, please contact the Crestron sales representative for your area. A list of sales representatives is available online at www.crestron.com/How-To-Buy/Find-a-Representative or by calling 855-263-8754.

This product is covered under the Crestron standard limited warranty. Refer to www.crestron.com/warranty for full details.

The specific patents that cover Crestron products are listed online at patents.crestron.com.

Certain Crestron products contain open source software. For specific information, please visit www.crestron.com/opensource.

Crestron, the Crestron logo, and XiO Cloud are either trademarks or registered trademarks of Crestron Electronics, Inc. in the United States and/or other countries. ASUS is either a trademark or registered trademark of ASUSTeK Computer Inc. in the United States and/or other countries. TrueVoice is either a trademark or registered trademark of Google Inc. in the United States and/or other countries. HDMI is either a trademark or registered trademark of HDMI Licensing LLC in the United States and/or other countries. Intel Core is either a trademark or registered trademark of Intel Corporation in the United States or other countries. Active Directory, Microsoft Intune, and Windows are either trademarks or registered trademarks of Microsoft Corporation in the United States and/or other countries. USB-C is either a trademark or registered trademark of USB Implementers Forum, Inc. in the United States and/or other countries. DisplayPort and VESA are either trademarks or registered trademarks of Video Electronics Standards Association in the United States and/or other countries. Zoom Rooms is either a trademark or registered trademark of Zoom Video Communications, Inc. in the United States and/or other countries. Other trademarks, registered trademarks, and trade names may be used in this document to refer to either the entities claiming the marks and names or their products. Crestron disclaims any proprietary interest in the marks and names of others. Crestron is not responsible for errors in typography or photography.

Specifications are subject to change without notice.

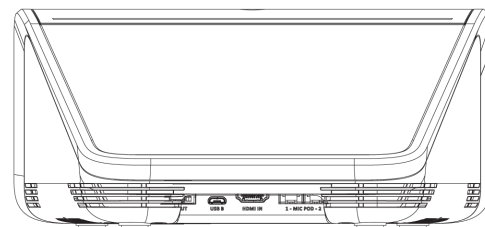
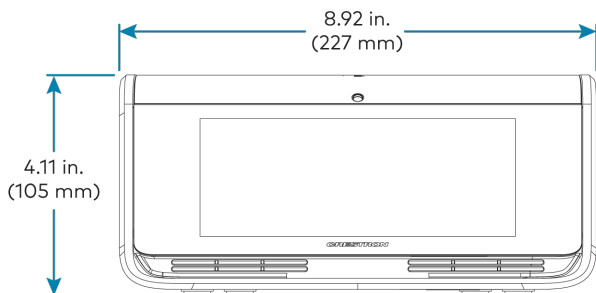
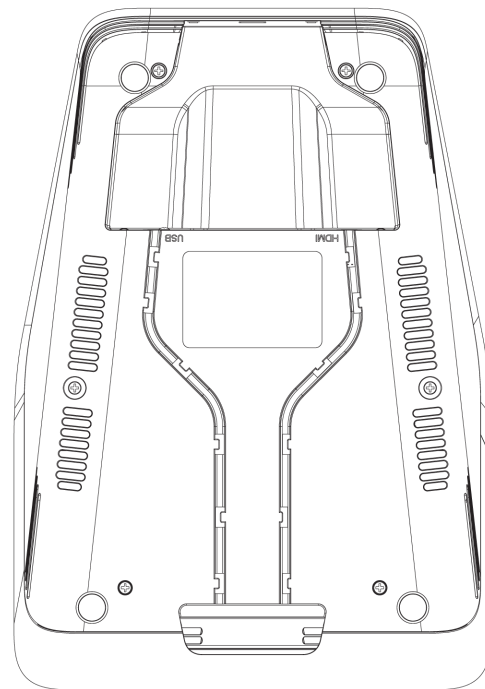
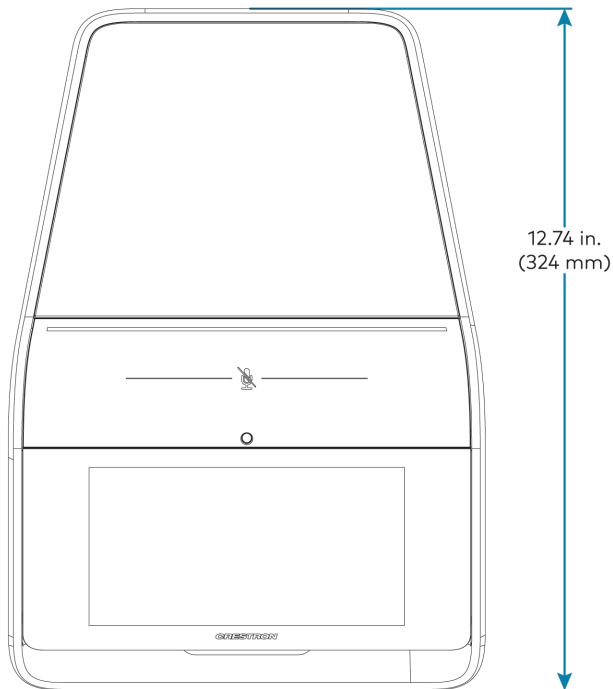
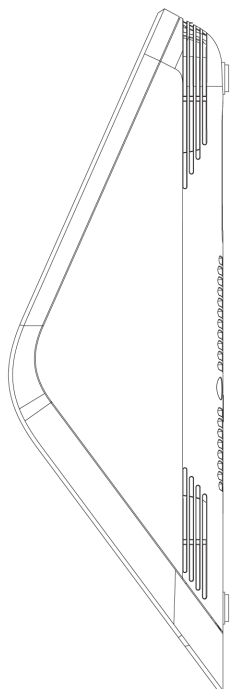
©2021 Crestron Electronics, Inc.

Rev 10/15/21

UC-MX50-Z

Crestron Flex Advanced Tabletop Medium Room Video Conference System with ASUS® Mini PC for Zoom Rooms™ Software

Crestron Flex Tabletop Conference Device (CCS-UC-1-X)



UC-MX50-Z

Crestron Flex Advanced Tabletop Medium Room Video Conference System with ASUS® Mini PC for Zoom Rooms™ Software

UC Bracket Assembly (UC-BRKT-250-P-Z-ASSY)

