

FPMA-D825BLACK

NEOMOUNTS MONITOR DESK MOUNT

SPECIFICATIONS

GENERAL

Min. screen size*	10 inch
Max. screen size*	27 inch
Min. weight	0 kg (per screen)
Max. weight	10 kg (per screen)
Screens	1
VESA minimum	75x75 mm
VESA maximum	100x100 mm
Desk mount	Stand

FUNCTIONALITY

Type	Tilt
Height adjustment	10-26 cm
Depth adjustment	20 cm
Tilt (degrees)	70°
Rotate (degrees)	360°
Adjustment type	Manual

INFORMATION

Color	Black
Main material	Steel
Warranty	5 year
EAN code	8717371443474

*Please note: The inch sizes stated are just an indication, combined with the weight and VESA sizes. The maximum weight and VESA size are absolute restrictions for the products and should not be exceeded.



Neomounts



Neomounts

Neomounts Monitor Desk Stand for single screen 10-27", Height adjustable and tiltable - Black

The Neomounts desk mount, model FPMA-D825BLACK is a tiltable- and rotatable desk mount for flat screens up to 27". This mount is a great choice for space saving placement on desks using a desk stand.

Neomounts versatile tilt (180°) and rotate (360°) technology allows the mount to change to any viewing angle to fully benefit from the capabilities of the flat screen. The mount is manually height adjustable from 10 to 26 centimetres. Depth 2 centimetres.

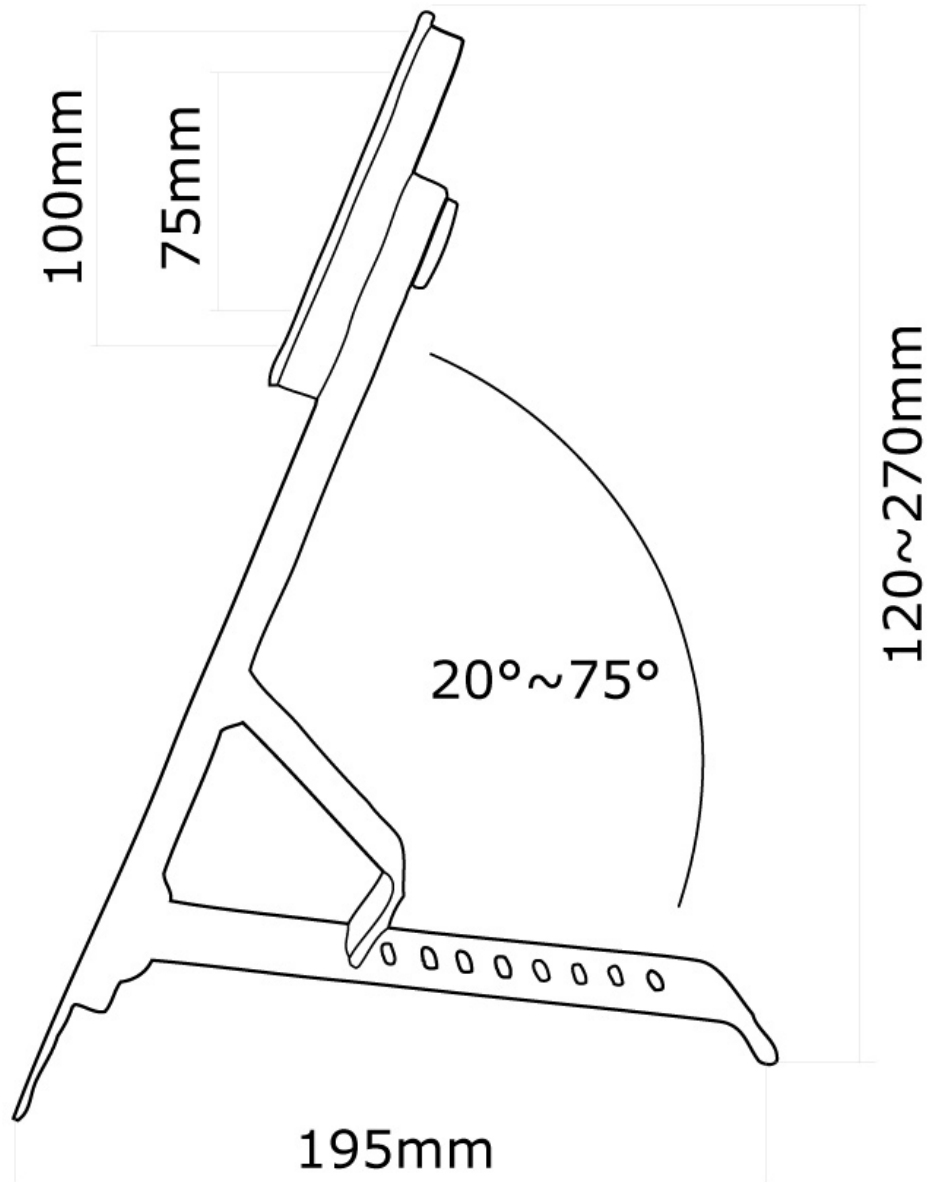
Neomounts FPMA-D825BLACK has one pivot point and is suitable for screens up to 27" (69 cm). The weight capacity of this product is 10 kg each screen. The desk mount is suitable for screens that meet VESA hole pattern 75x75 or 100x100mm. Different hole patterns can be covered using Neomounts VESA adapter plates.

By using an ergonomic mount neck- and back complaints can be avoided. Ideal for use in offices and on counters or in a reception area.

All installation material is included with the product.

FPMA-D825BLACK

NEOMOUNTS MONITOR DESK MOUNT



Neomounts