

Floorstanding Assembly Instructions

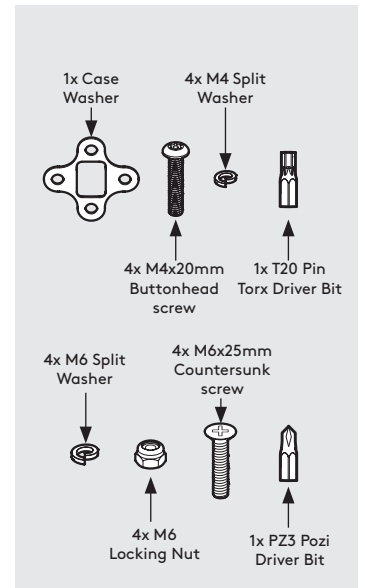
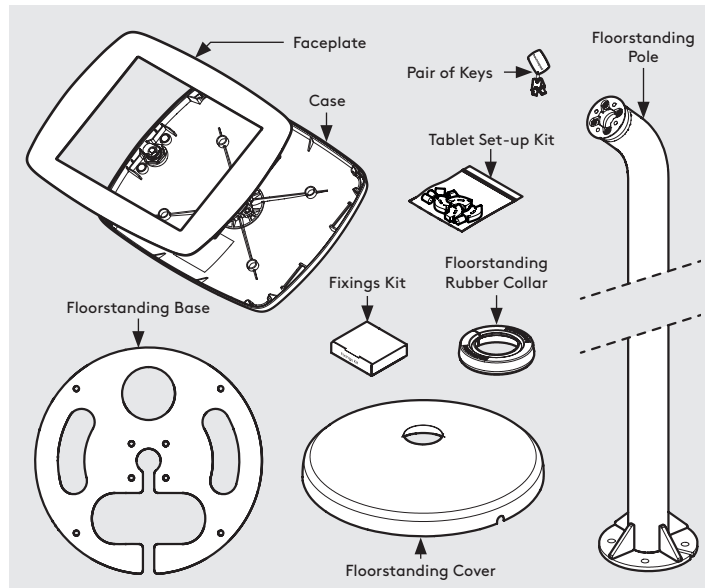
Tools Required:

- Socket Driver
- 10mm Spanner **or adjustable spanner*

Sheet Code: BP-IM-047_REV2

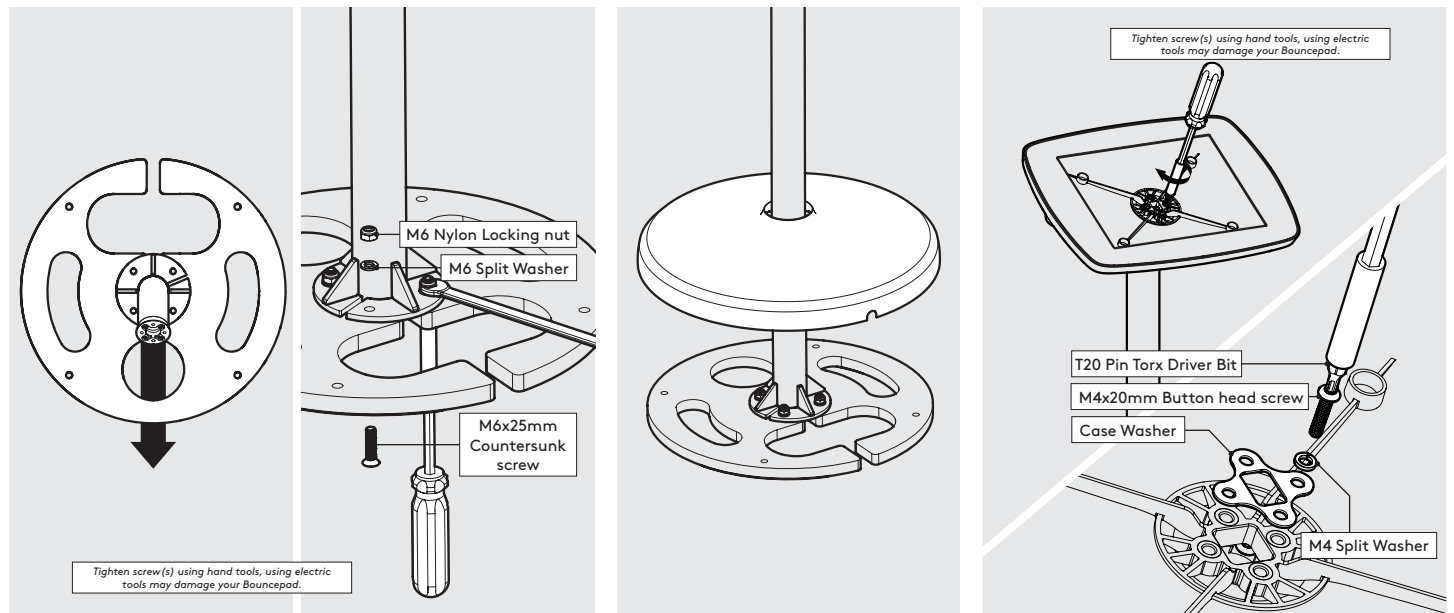
Release Date: 28/10/2019

Copyright 2016 Spotspot Ltd. (T/A Bouncepad) all rights reserved. Confidential, no part of this publication may be reproduced or transmitted in any form without the written permission of the copyright holder.

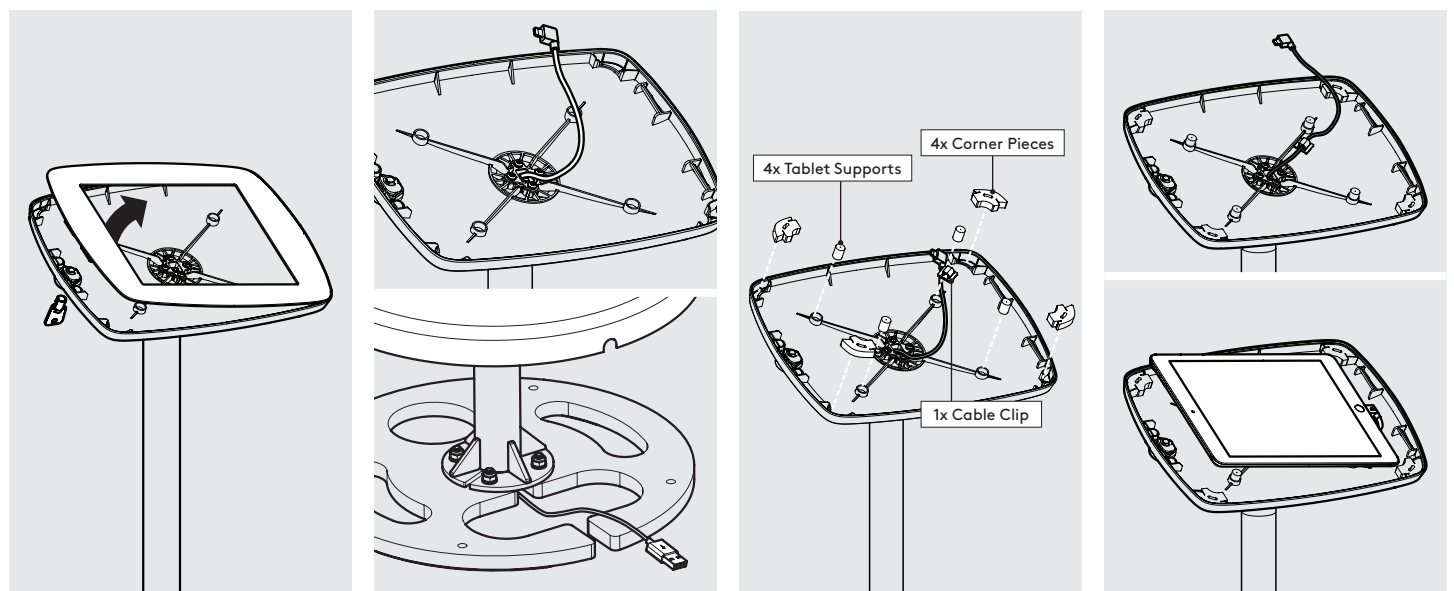


Fixings List

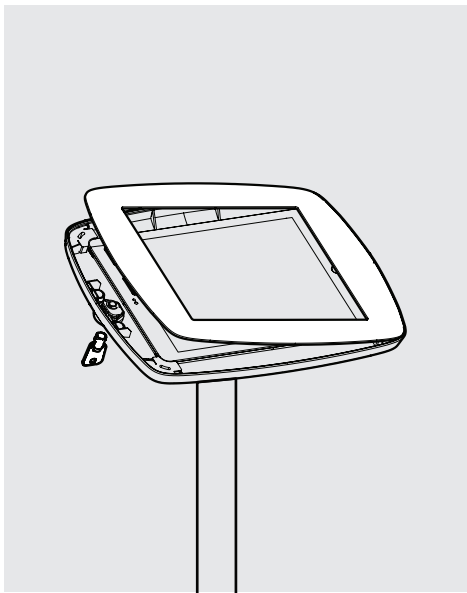
** Due to the modular nature of our product range you may receive additional fixings in the fixings kit*



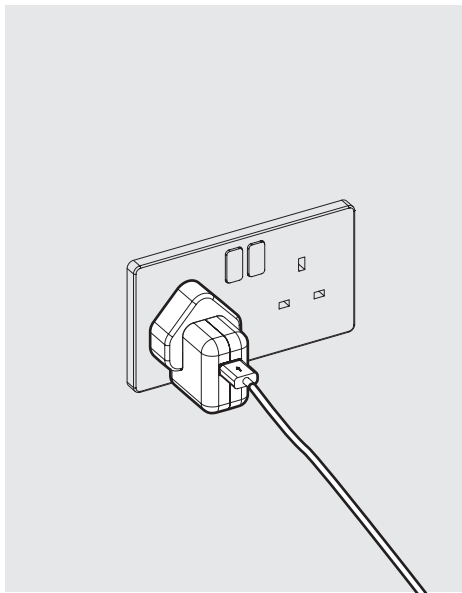
- 1** Orientate, locate and secure the Floorstanding Pole to the Floorstanding Base as shown. Ensure that all fixings are installed correctly.
- 2** Locate the Floorstanding Cover over the Floorstanding Pole.
- 3** Locate and secure the Case onto the Mounting Arm as shown. Tighten by hand.



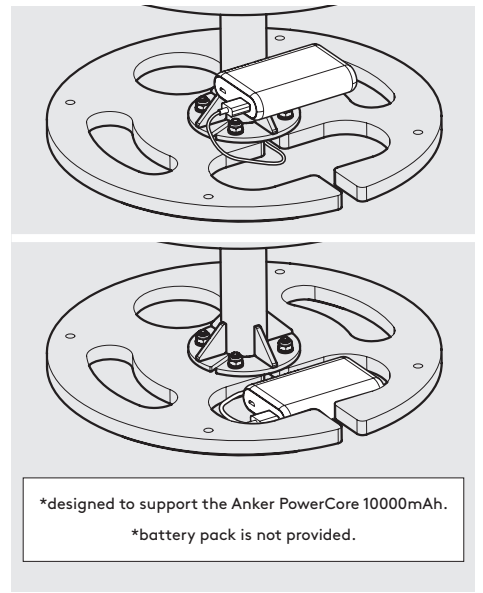
- 4** Unlock & remove the Faceplate from the Bouncepad Case.
- 5** Feed the tablet power cable through the Case & Floorstanding Pole.
- 6** Install the Tablet Setup Kit. Each kit is specific per device & case.
- 7** Install the tablet into the Case & connect to power.



8 Locate and lock the Faceplate to the Case.

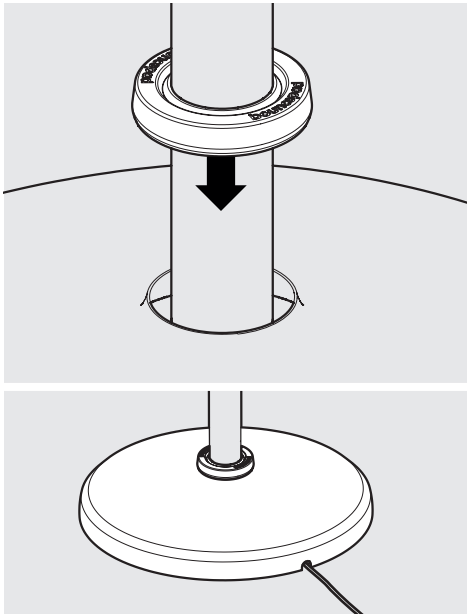


9.1 Connect the tablet power cable to its mains power source.

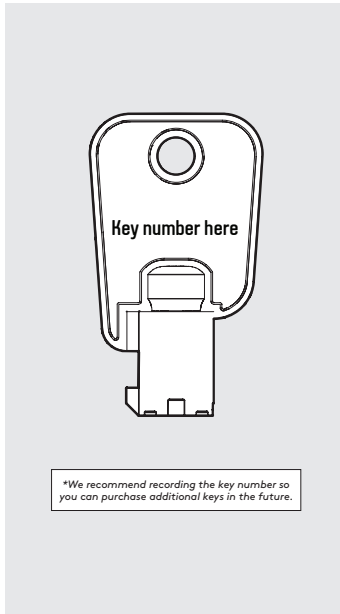


*designed to support the Anker PowerCore 10000mAh.
*battery pack is not provided.

9.2 If installing a battery pack, connect the tablet cable and locate the pack into the Floorstanding Base.



10 With the Floorstanding Cover on the ground, locate and fit the Floorstanding Rubber Collar.



**We recommend recording the key number so you can purchase additional keys in the future.*

11 Installation is now complete.