

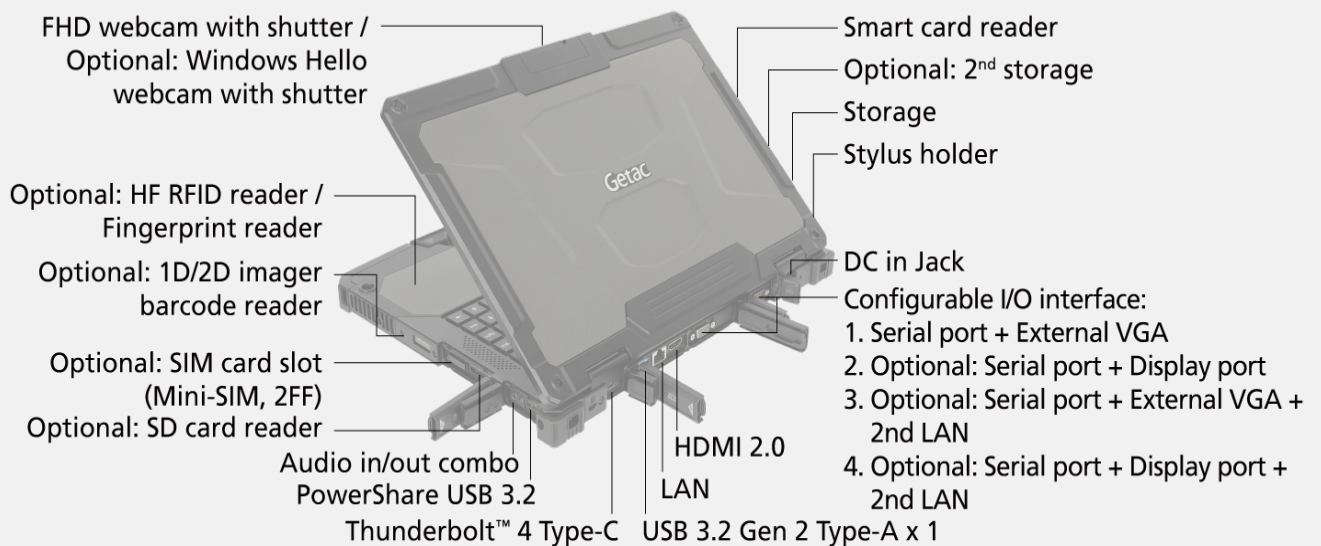


## B360 FULLY RUGGED NOTEBOOK

- MIL-STD 810H, 6ft operating drop rating, IP66 certified, and optional salt fog resistant
- 12th Generation Intel® Core™ Processor
- 13.3" FHD LumiBond® display with Getac sunlight readable technology (1,400 nits) and capacitive touchscreen
- Enhanced enterprise security with optional dual user replaceable storage, Windows Hello face-authentication camera, integrated 1D/2D imager barcode reader and multi-factor authentication options
- LifeSupport™ battery swappable technology
- Thunderbolt™ 4 brings lightning speed and performance



B360 3D demo



# SPECIFICATIONS

## Generation

G2

## Operating System

Windows 11 Pro

## Mobile Computing Platform

Intel® Core™ i5-1240P Processor  
Max. 4.4GHz with Intel® Turbo Boost Technology  
- 12MB Intel® Smart Cache

## Platform options:

Intel® Core™ i5-1250P vPro® Processor  
Max. 4.4GHz with Intel® Turbo Boost Technology  
- 12MB Intel® Smart Cache

Intel® Core™ i7-1260P Processor  
Max. 4.7GHz with Intel® Turbo Boost Technology  
- 18MB Intel® Smart Cache

Intel® Core™ i7-1270P vPro® Processor  
Max. 4.8GHz with Intel® Turbo Boost Technology  
- 18MB Intel® Smart Cache

Intel® Core™ i7-1280P vPro® Processor  
Max. 4.8GHz with Intel® Turbo Boost Technology  
- 24MB Intel® Smart Cache

## VGA Controller

Intel® Iris® Xe Graphics<sup>i</sup>

## Display

13.3" Wide Viewing Angle TFT LCD FHD (1920 x 1080)  
Protection film  
1,400 nits LumiBond® display with Getac sunlight readable technology  
Capacitive multi-touch screen

## Storage & Memory

8GB DDR4  
Optional: 16GB / 32GB / 64GB DDR4  
256GB PCIe NVMe SSD  
Optional: 512GB / 1TB / 2TB PCIe NVMe SSD  
Optional 2<sup>nd</sup> storage<sup>ii</sup>: 256GB / 512GB / 1TB / 2TB PCIe NVMe SSD

## Keyboard

LED backlit membrane keyboard

## Pointing Device

Touchscreen  
- Capacitive multi-touch screen  
Touchpad  
- Touchpad with two buttons

## Expansion Slots

Smart card reader x 1  
Optional: SD card reader x 1  
Optional: 1D / 2D imager barcode reader

## I/O Interface

FHD webcam x 1  
Audio in/out combo x 1  
DC in Jack x 1  
PowerShare USB 3.2 x 1  
USB 3.2 Gen 2 Type-A x 1  
Thunderbolt™ 4 Type-C x 1  
LAN (RJ45) x 1  
HDMI 2.0 x 1  
Docking connector x 1  
Optional: SIM card slot x 1 (Mini-SIM, 2FF)<sup>iii</sup>  
Optional: Windows Hello face-authentication camera (front-facing) x 1<sup>xvi</sup>  
Optional: RF antenna pass-through for GPS, WWAN and WLAN  
Configurable I/O options<sup>iv</sup>:  
1. Serial port (9-pin; D-sub) x 1 + External VGA (15-pin; D-sub) x 1  
2. Serial port (9-pin; D-sub) x 1 + Display port x 1  
3. Serial port (9-pin; D-sub) x 1 + External VGA (15-pin; D-sub) x 1 + 2<sup>nd</sup> LAN (RJ45) x 1  
4. Serial port (9-pin; D-sub) x 1 + Display port x 1 + 2<sup>nd</sup> LAN (RJ45) x 1

## Communication Interface

10 / 100 / 1000 base-T Ethernet  
Intel® Wi-Fi 6E AX211, 802.11ax  
Bluetooth (v5.3)<sup>v</sup>  
Optional: Dedicated GPS<sup>vi</sup>  
Optional: 4G LTE mobile broadband with integrated GPS<sup>iii</sup>  
Optional: 5G Sub-6 with integrated GPS<sup>vi</sup>

## Security Features

TPM 2.0  
Kensington lock  
Smart card reader  
Optional: Fingerprint reader<sup>vii</sup>  
Optional: HF RFID reader<sup>vii, viii</sup>  
Optional: Windows Hello face-authentication camera (front-facing)<sup>xvi</sup>

## Power

AC adapter (90W, 100-240VAC, 50/60Hz)  
Li-ion battery (11.1V, typical 2100mAh; min. 2040mAh) x 2  
LifeSupport™ battery swappable technology

## Dimension (W x D x H) & Weight

342 x 281 x 34.9 mm (13.46" x 11.06" x 1.37")  
2.32kg (5.11lbs)<sup>viii</sup>

## Rugged Feature

MIL-STD-810H certified  
IP66 certified  
MIL-STD-461G certified<sup>x</sup>  
Vibration & 6ft (1.8m) drop resistant  
Optional: ANSI/UL 121201, CSA C22.2 NO. 213 (Class I, Division 2, Groups A, B, C, D)<sup>xi</sup>  
Optional: Salt fog certified

## Environmental Specification

Temperature<sup>xii</sup>:  
- Operating: -29°C to 63°C / -20°F to 145°F  
- Storage: -51°C to 71°C / -60°F to 160°F  
Humidity:  
- 95% RH, non-condensing

## Pre-installed software

Getac Utility  
Getac Geolocation  
Getac Barcode Manager<sup>xiii</sup>  
Optional: Absolute Persistence®

# B360 FULLY RUGGED NOTEBOOK

## Optional software

Getac Driving Safety Utility  
Getac Device Monitoring System (GDMS)  
Getac VGPS Utility<sup>xiv</sup>

## Accessories

Battery (11.1V, typical 2100mAh; min. 2040mAh)  
AC adapter (90W, 100-240VAC)  
Capacitive stylus with tether

## Optional:

Carry bag  
Multi-Bay charger (Dual-Bay)  
Multi-Bay charger (Eight-Bay)  
AC adapter (90W, 100-240VAC)  
Office dock AC adapter (120W, 100-240VAC)  
MIL-STD-461 AC adapter (90W, 100-240VAC)  
DC-DC vehicle adapter (120W, 11-32VDC)  
Capacitive stylus with tether  
Protection film  
Vehicle cradle<sup>xv</sup>  
Vehicle dock<sup>xv</sup>  
Office dock  
Spare SSD kit  
100W Type-C adapter

## Bumper-to-Bumper warranty

Accidents can take your equipment out of service when you least expect it, especially in a rugged environment, which can cause costly equipment downtime. That is why Getac has introduced accidental damage as standard under our Bumper-to-Bumper warranty, to help minimize your enterprise IT costs. Bumper-to-Bumper is your hassle-free guarantee. That means you can depend on us to have your unit back in service within days.

## Standard

3 years Bumper-to-Bumper

- I. Units equipped with dual channel memory come with Intel® Iris® Xe Graphics.
- II. Second storage is optional and will be fitted with a removable cover when not chosen at point of purchase.
- III. Units with 4G LTE option come with an embedded SIM card slot.
- IV. External VGA and Display port are mutually exclusive.
- V. Bluetooth performance and connectable distance may be subject to interference with the environments and performance on client devices, users may be able to reduce effects of interference by minimizing the number of active Bluetooth wireless devices that is operating in the area.
- VI. Support GPS, GLONASS, Galileo, BeiDou and QZSS.
- VII. Fingerprint reader and HF RFID reader are mutually exclusive.
- VIII. HF (13.56MHz) combo HF RFID/NFC reader (iClass, HID Prox, ISO 15693, 14443 A/B, Mifare and FelCa™ compliant).
- IX. Weight and dimensions vary from configurations and optional accessories.
- X. MIL-STD-461 90W AC adapter sold separately.
- XI. Available with limited configurations and environment conditions.
- XII. Tested by an independent third-party test lab following MIL-STD-810H.
- XIII. Available when barcode reader option is selected.
- XIV. Models require either embedded or standalone GPS module.
- XV. Gamber Johnson and Havis vehicle docks are e-mark certified.
- XVI. FHD webcam and optional Windows Hello face-authentication camera (front-facing) are mutually exclusive options.

Information provided herewith is for reference only, available specification shall be subjected to quotation by request.

	Vehicle Dock	Office Dock
Serial Port	1	1
External VGA	1	1
Microphone	1	1
Audio Output	1	1
DC in Jack	1	1
USB	6	5
LAN	2	2
HDMI 1.3	1	1
RF Antenna Connector	3 (GPS, WWAN, WLAN)	-

# Getac



Getac (UK) Ltd.

Getac House, Stafford Park 12, Telford, Shropshire TF3 3BJ, United Kingdom Tel : +44 (0) 1952 207 222 Sales-Getac-UK@getac.com I

www.getac.com/en/Copyright © 2023 Getac Technology Corporation and/or any of its affiliates. All Rights Reserved. Information provided herewith is for reference only, available specification shall be subjected to quotation by request.